

FRECAN
Extraction and cooking systems
2023 Collection

*To do things well you need:
first, love; second, technique.*

Antoni Gaudí

A new sunrise

In the last few years, the kitchen has become the Sun of our home, where we begin to take care of ourselves and where we share moments with our loved ones.

Cooking has become a fundamental part of our lives.

Feel the warmth of sharing the kitchen.

With love to feed your soul

We invite you to discover our products created to live in the kitchen. Unique designs that make it the perfect meeting place. That accomplice of extraordinary and unrepeatable encounters.

Because magical things always happen in the kitchen, and everything tastes better if we share.



Close people

FreCAN is a family hearted company. With this spirit we work every day, creating bonds between us, our customers and our suppliers. Because adding up, we are stronger.

People

Composed by more than 80 people, FreCAN is conceived as a life project in which its core strengths are clear: the value transmission, the familiar culture in the environment, closeness to the client, commitment, flexibility, and the ability to adaptation to different circumstances.



Handicraft

Our technicians training, their human quality, their experience, their commitment and their creativity allow us to connect innovation and craftsmanship; For this reason, our products are manufactured mostly manually and in small series, ensuring an exclusive finish and care.



Local

With the purpose of not depending on large international supply chains and curbing transportation needs, our suppliers are basically local, reducing delivery times to our customers, generating a circular economy and contributing to local growth.



Agility

The tie between our departments, their proximity and communication are crucial for the constant improvement of our products. This allows us to apply our clients suggestions with agility and efficiency. Our aim is constantly improving, thanks to them, our products and installation systems.

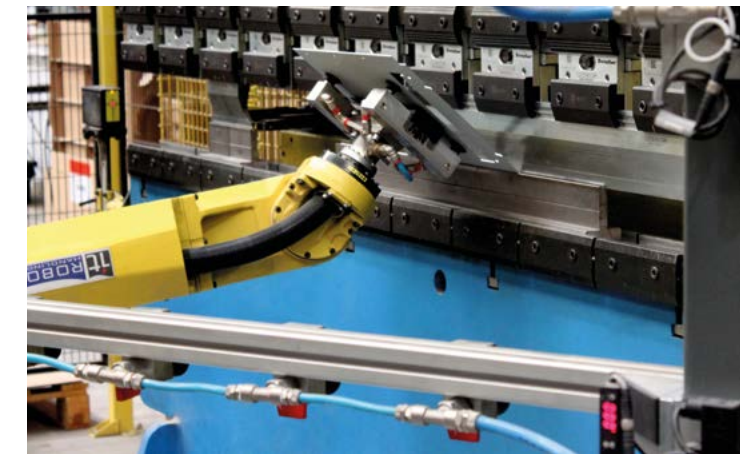


Our factory

From more than 25 years, we have been working for you. We have strongly invested on innovation, constantly improving our facilities. Because not only our products must be more efficient every day, but the tools with whom we perform the manufacturing process.



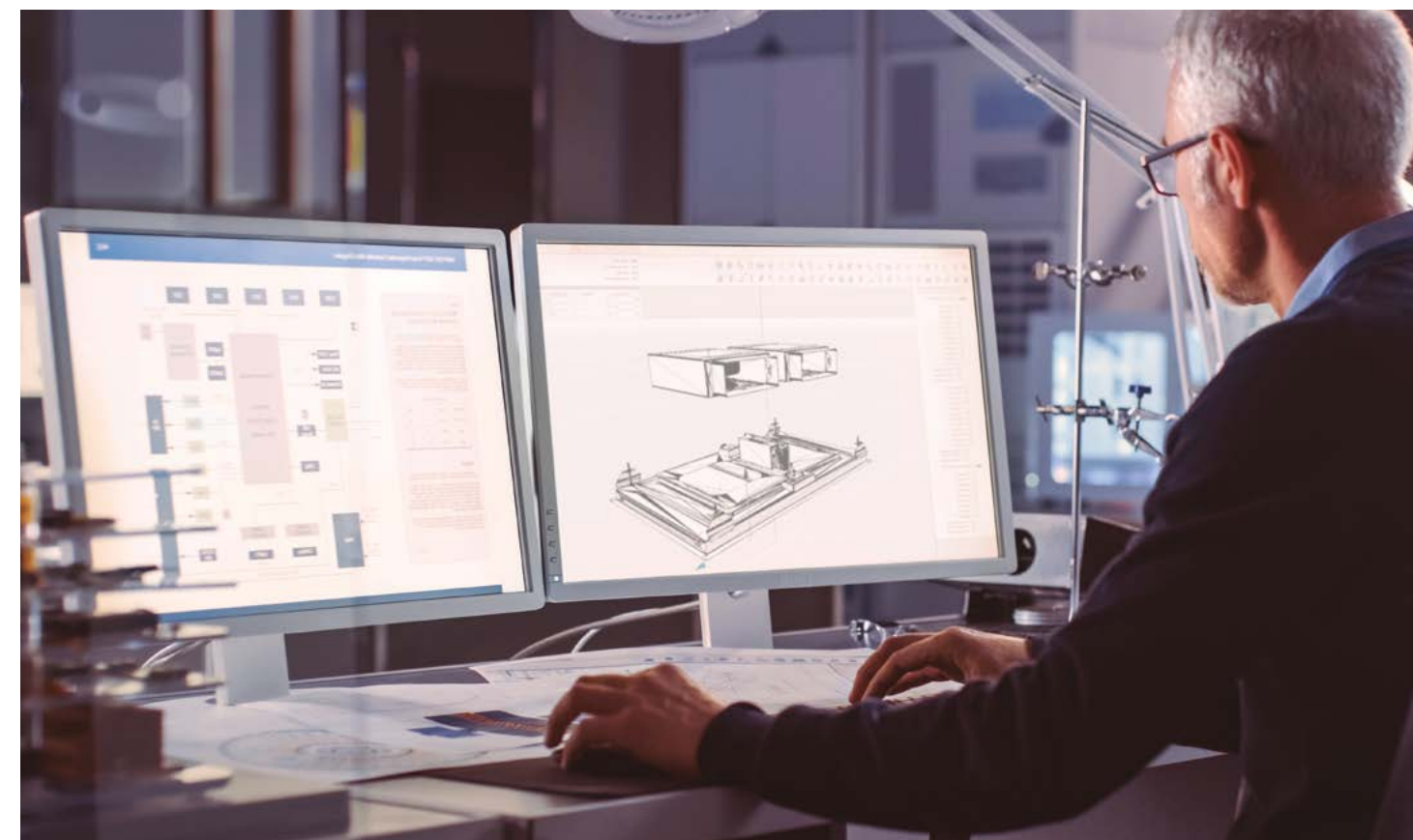
As a manufacturer, Frecan is an APPLIA associate member



Creativity



FrecaTEK is our custom made spaces brand. We are aware that conforming to the purely tangible, limits our ability to innovate, dream and bring our ideas to reality. For this reason, we stand by imagination, and we take close care of bringing your project to life.



We manufacture extractor hoods, domestic metal structures, kitchen counter-tops; doors and furniture; auxiliary tables; decorative panels; outdoor furniture.. All in stainless steel and tailor-made.

Discover everything we can do for you clicking in the tab

frecaTEK

The air

Where you start to take care of yourself



frecaIR is our commitment to the quality of the air we breathe, inside and outside the household.

Would you drink not purified water?

Why breathe air that is not filtered?

The air can accumulate countless particles that are harmful to our body.

The same ones such those we can find in untreated water.



Recirculation goes beyond a traditional aspiration system: it preserves energy (cold/heat) purifying the environment from acarids and other particles. It improves the air quality we breathe; it removes the expulsion of polluting gases into the atmosphere as well, taking care of you what is around.

Discover all our systems by clicking on the tab

freca,IR

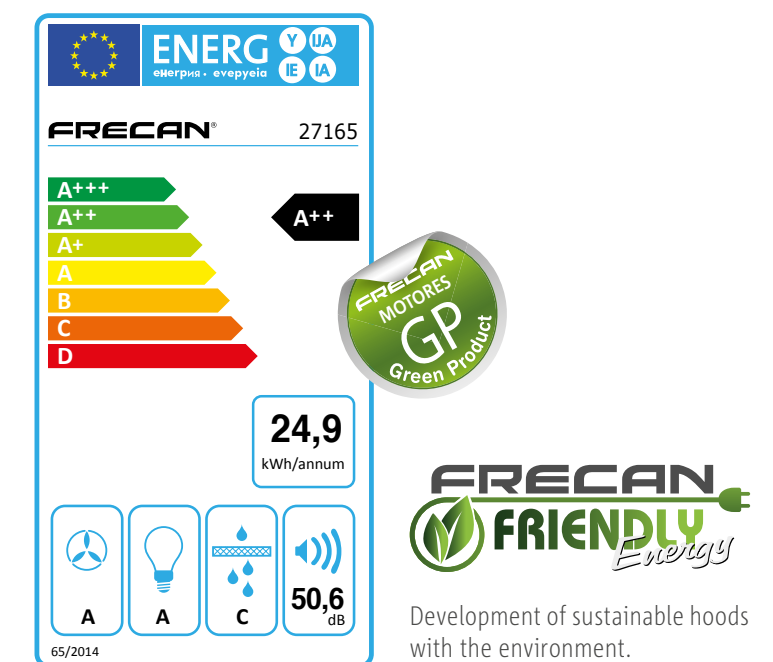


Walking towards a more sustainable future

Our love for nature leads us to a daily commitment, manufacturing while minimizing our impact on it. We work with local suppliers promoting a more circular economy.

We incorporate the most efficient technology to reduce our products consumption. We offer a high-quality product to ensure a long useful life. Frecan keeps spare parts for many years to guarantee our products repairing, being committed firmly for recirculation systems with the single aim that, not only us, but to support our customers to reduce emissions, as well.

Because taking care of our planet is everyone's business.



The energy label allows the user to know the efficiency of an appliance.

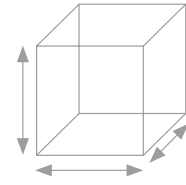
Every day more present



*More connected,
more international.*

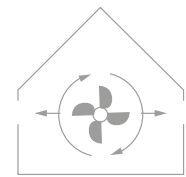
Technical information	Hood Choice 20	Featured Features 24	Iconography 34															
Surface Hoods	Flow 5.3 38	Flow 5.4 40	Flow 4 42	Flow Hoods Installation 44	Lift Light 46													
Ceiling Hoods	Bright 360 50	Lia 360 52	Sense 360 54	Astro 56	Cloud 360 58	Moon 360 60	Nitro 360 62	SCL 360 64	TR9 Slim 66	TR10 Slim 68	Aero 70	Meet 72	Nitro 2xR700 73					
Built-in Hoods	Hit 76	Hit Negra 77	Hit S 78	Vetro Klin 79	GA Glass II 80	GA Perimetral 81	Tersa 82	Note 83	Integratta 84	Integratta S 85	Feel 86	Feel S 87	Vigor Prof 88	GA Filo 89	GA 90	Quo 91	Soul 92	DF HC 93
Wall Hoods	Stream 96	Fine Texture 98	Master Prof 100	Mercury 101	Fine 102	Fine S 103	White y Black 104	QFine 105	Quasar 106	Limit 107								
Island Hoods	iCustom 110	White y Black 112	Mercury 114	Fine 116	QFine 117													
Vintage Hoods	Keops Texture 120	Keops Prof 122	Keops 124	Clasic-Pro 126														
Urban Hoods	i212 130	N311 131	M201 132	E701 133	N307 134	E209 135												
frecan TEK	Custom Made Manufacturing 138	Personalization Hoods 144	Bespoke Hoods 148															
frecan AIR	Purified Kitchens 156	Plasma Frecan 158	FC-PLUS Filter 166	Ceramic cubes 170	Carbon Filters 172	Conclusion 173												
Accessories	Ducting Optiflow 176	Ducting IT 177	Other Accesories 178	Power and sonority Motors 179	Internal Motores 180	External Motors 181												
Hobs	Induction 184	Ind. Modular 187	Gas hobs 188															
Ice Maker	Ice Maker 192																	

How do I choose the best extractor hood for my kitchen? Where do I begin?



1. Previous steps: how is your kitchen?

- Measure your kitchen (m³ of kitchen)
- Cooking area (wall, island, peninsula)
- Cooking type (Gas, Vitroceramic)
- Exit ducts to the outside (distance, diameter)

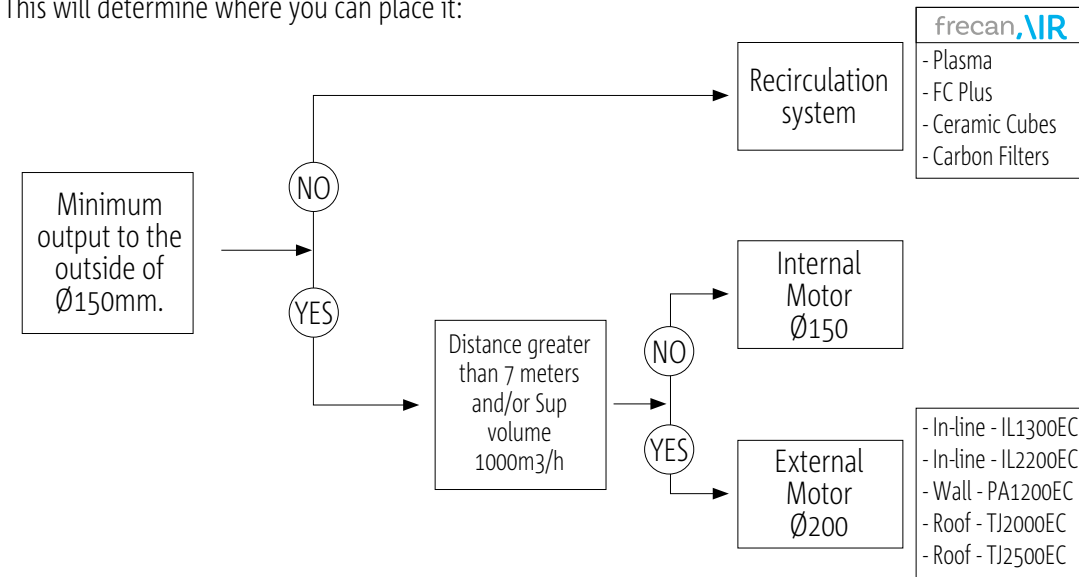


2. Suction system type

Hood with ducts to the outside or recirculation?

Hoods can expel the air from the room to the outside of the house through the roof or façade or clean the air and then return it to the room.

This will determine where you can place it:

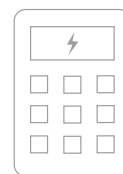


3. Calculate the vacuum capacity needed

Your kitchen's volume assesses the suction capacity needed.

To get a good air renewal it must be replaced about 10 times per hour.

There is a simple formula for calculating the suction needs of a hood.



$$\boxed{M^2} \times \boxed{\text{Height}} \times \boxed{\frac{10}{\text{Air renewals/h}}} = \boxed{\text{Suction Capacity}}$$

For instance, if the kitchen is 15 m² and 2.60 m high, the result would be:

15 x 2.60 x 10 = 390 m³. Therefore, for a minimum suction you would need a hood of 390 m³ per hour of suction.

The ducts that carry the air outside create resistance to the air passage reducing the hoods suction capacity. So, it is recommended as much as possible to choose a hood with greater power to compensate this drop pressure.

In case of open-plan kitchens these calculations may vary depending on the home's layout. Inquire us and we will be pleased to advise you.



4. Sound level

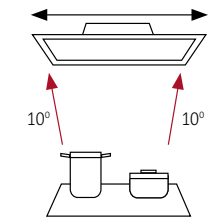
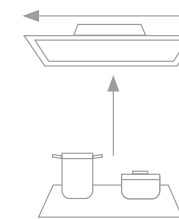
For a comfort degree, the recommendation is that the hood in a non-booster mood does not exceed 60 dbA.

The sound level increases depending on the vacuum power by the air friction in the inner part of the hood as well as in its way to outwards. A good installation ensures a proper airflow, and the engine works smoothly.

Frecan submits all its models to the strictest controls scrupulously complying with European regulations EN 61591, EN 50564, EN 60704-3 and EN 60704-13 in terms of regulation of sound pressure levels and consumption. All of these, thanks to our own certified laboratory. Publishing the pressure and sound power data duly identified to not to confuse our users.

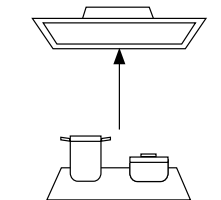
5. Dimensions and hood position

When rising, the steam expands approximately a 10° angle. Therefore, and the reason we recommend a larger size of the hood compared with on the plate. It is always recommended. This size difference should be calculated based on the installation distance. This guidance is indicative since it differs according to the type of cuisine.



The installation distance directly affects the extraction capacity of the hood and its condensation. Follow these instructions to ensure the proper performance of your hood.

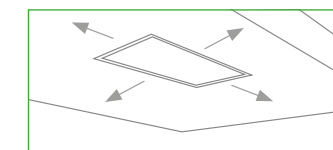
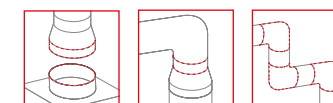
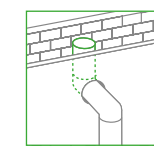
- Distance from the hob to the hood
- Wall / Island 60-70 cm far from the vacuum area
- Integration: Maximum 70 cm from the vacuum area
- Ceiling: between 140 and 160 cm from the vacuum area



According to the UNE-60335-2-31 standard rule, the minimum distance of the gas plates from the active parts of the extractor hood and/or furniture must be at least 65 cm.

6. Follow the installation tips

Most of the vacuum and noise reduction efficiency depends on the path and output length abroad, for this reason we indicate some advice so that your satisfaction is maximum.



- Ensure that the smoke outlet is as direct as possible (respect the Ø150mm outdoors).
- Avoid tube reductions especially at the engine outlet or before an elbow.
- Avoid the number of elbows as much as possible. And if unavoidable, avoid elbows of 90°.

- On the ceiling hoods installation processes, being not possible to have a ceiling at the same level, it is necessary to leave at least 0.5 meters on each side of the hood to ensure that the fumes do not raise to a higher level of the hood, making the vacuum more complicated.

SURFACE	Dimensions		Exterior exit (Internal Motor)	Recirculation Option (Internal Motor)				Pg.
	780	900		Carbon F.	FC-Plus	Cubes	Plasma	
Flow 5.3	•		•	INC		•	•	38
Flow 5.4	•		•	INC		•	•	40
Flow 4	•		•			•	•	42
Lift Light		•	•	•				46

CEILING	Dimensions					Exterior exit (Internal Motor)	Exterior exit (External Motor)	Recirculation Option (Internal Motor)				Pg.
	700	900 - 970	1000 - 1010	1200	1300-1310			Carbon F.	FC-Plus	Cubes	Plasma	
Bright 360			•			•		•	•	•		50
Lia 360	•					•		•	•	•		52
Sense 360			•		•	•		•	•	•		54
Astro	•					•		•	•	•		56
Cloud 360			•	•		•		•	•	•		58
Moon 360			•			•		•	•	•		60
Nitro 360			•		•	•		•	•	•		62
SCL 360			•		•	•		•	•	•		64
TR9 Slim			•			•		•	•	•		66
TR10 Slim			•	•		•		•	•	•		68
Aero	•					•		•	•	•		70
Meet			•			•		•	•	•		72
Nitro 2xR700	•			•		•		•	•	•		73

BUILT-IN INTERFURNITURE	Dimensions						Exterior exit (Internal Motor)	Exterior exit (External Motor)	Recirculation Option (Internal Motor)				Pg.
	600	700	800	900	1000	1200			Carbon F.	FC-Plus	Cubes	Plasma	
HIT	•	•	•	•	•	•	•		•	•	•		76
Hit Negra	•	•	•	•	•	•	•		•	•	•		77
Hit S	•		•		•		•		•	•	•		78
Vetro Klin	•		•		•		•		•	•	•		79
GA Glass II	•		•		•		•		•	•	•		80
GA Perimetral	•		•		•		•		•	•	•		81
Tersa	•		•		•		•		•	•	•		82
Note	•	•	•	•	•	•	•		•	•	•		83
Integratta			•				•		•	•	•		84
Integratta S			•				•		•	•	•		85
DF HC	•		•				•		•	•	•		93

BUILT-IN CUT-OUT	Dimensions			Exterior exit (Internal Motor)	Exterior exit (External Motor)	Recirculation Option (Internal Motor)				Pg.	
	530-540	725-760	935 - 1000			Carbon F.	FC-Plus	Cubes	Plasma		
Feel	•	•	•	•		•	•	•	•		86
Feel S	•	•	•	•		•	•	•	•		87
Vigor Prof	•	•	•	•	•	•	•	•	•		88
GA Filo	•	•	•			•	•	•	•		89
GA	•	•	•	•		•	•	•	•		90
Quo	•	•	•	•		•	•	•	•		91
Soul	•	•	•	•		•	•	•	•		92

WALL	Dimensions						Exterior exit (Internal Motor)	Exterior exit (External Motor)	Recirculation Option (Internal Motor)				Pg.
	600	700	800	900	1000	1200			Carbon F.	FC-Plus	Cubes	Plasma	
Stream				•			•		•	•	•		96
Fine Texture				•		•	•		•	•	•		98
Master Prof				•		•	•	•	•	•	•		100
Mercury				•		•	•	•	•	•	•		101
Fine		•	•	•	•	•	•	•	•	•	•		102
Fine S				•		•	•		•	•	•		103
White y Black				•		•	•		•	•	•		104
QFine	•	•		•		•	•		•	•	•		105
Quasar				•		•	•	•	•	•	•		106
Limit	•	•	•	•		•	•		•	•	•		107

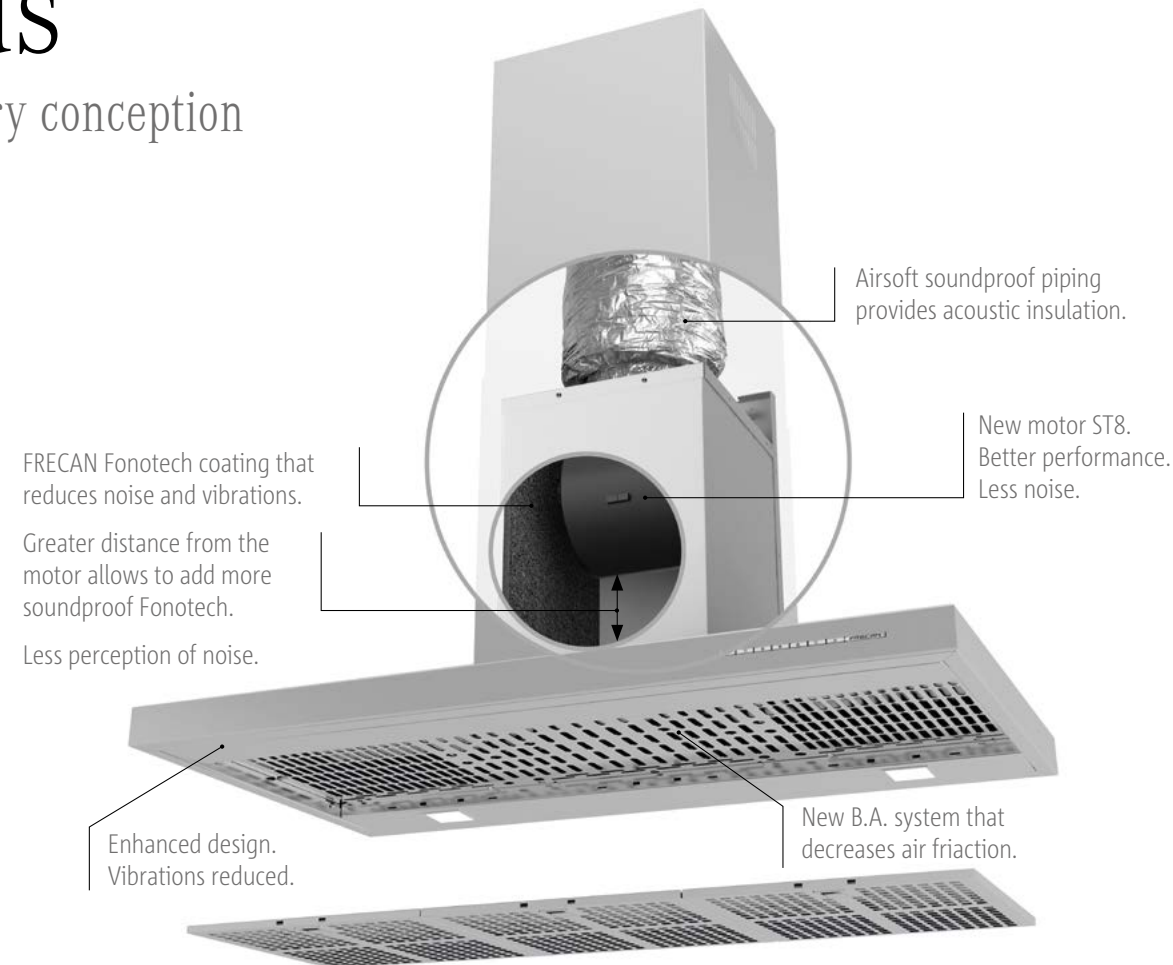
ISLAND	Dimensions					Exterior exit (Internal Motor)	Exterior exit (External Motor)	Recirculation Option (Internal Motor)				Pg.	
	900	1200	1800	2100	Custom Made			Carbon F.	FC-Plus	Cubes	Plasma		
iCustom				•	•	•			•	•	•	INC	110
White y Black	•					•		•	•	•	•		112
Fine	•	•			•	•		•	•	•	•		114
Mercury	•	•			•	•		•	•	•	•		116
QFine	•				•	•		•	•	•	•		117

VINTAGE	Dimensions			Exterior exit (Internal Motor)	Exterior exit (External Motor)	Recirculation Option (Internal Motor)				Pg.		
	900	1200	Custom Made			Carbon F.	FC-Plus	Cubes	Plasma			
Keops Texture	•	•	•	•		•		•	•	•		120
Keops Prof	•	•	•	•	•	•		•	•	•		122
Keops	•	•	•	•		•		•	•	•		124
Clasic-Pro	•	•	•	•		•		•	•	•		126

URBAN	Dimensions					Exterior exit (Internal Motor)	Recirculation Option (Internal Motor)				Pg.	
	530	600	700-790	900	1200		Carbon F.	FC-Plus	Cubes	Plasma		
i212				•		•		•	•	•		130
N311				•		•		•	•	•		131
M201		•	•	•		•		•	•	•		132
E701		•		•	•	•		•	•	•		133
N307	•					•		•	•	•		134
E209		•				•		•	•	•		135

SILENCE (S) Hoods

Revolutionary conception



“Re-evolutioned” Silence - FRECAN Fonotechnology



Motor ST8 - The perfect balance

The motor ST8 developed by EBM-papst, the largest German engine manufacturer, it provides the necessary air movement, with a perfect noise behavior, even at high levels of performance. Maximum performance, minimum noise.

With 7 years warranty.



A++



Frecan Fonotech - Acoustic absorption

In some of the Frecan Silence catalogue models the motor compartments have a 9 mm-thick panels made from vibration damping material that isolate noise and vibrations.

Acoustic insulation using polyurethane binder particles with different properties, duly controlled with a special acoustic additive that reduces noise.

It reduces noise levels up to **4%** (1dB) on hoods like HIT or 360 Ceiling Hoods and up to **6,5%** (1.8dB) on the Fine hood.

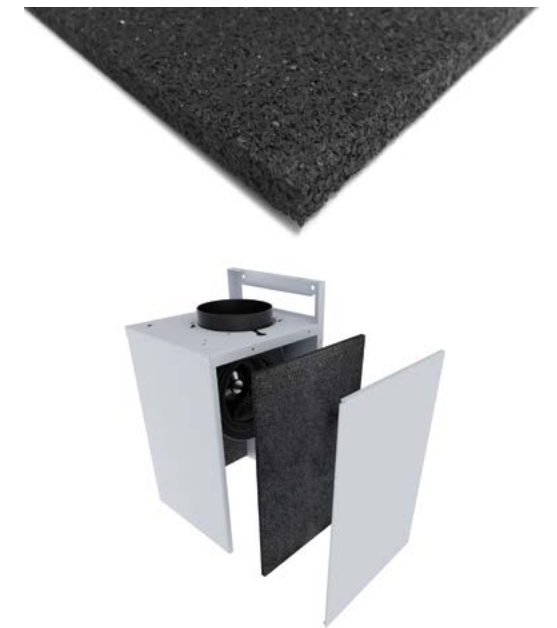


Frecan AirSoft - Silencing ducting

The materials of which the soundproofing tubes are made produce a high acoustic damping for a wide range of frequencies, especially the highest frequencies that are the most disturbing to the human hearing

Airsoft 1: Wall mounted and Island Hoods include flexible ducting of 60 cm (45 cm in the case of Quasar-ST8 and Fine-ST8) made of thermoplastic material, reinforced with steel spirals, insulated with mineral wool of 25mm thickness and protected by an external layer of aluminium. The ducting **Airsoft 1** reduces up to **11%** (3dB) the noise perception from the hood

Airsoft 2: The Ceiling hoods include a 25mm. thick rigid panel of mineral wool, with an external layer of aluminium and an internal coating of deadening material. The ducting **Airsoft 2** reduces up to **15%** (4dB) the noise perception from the hood.

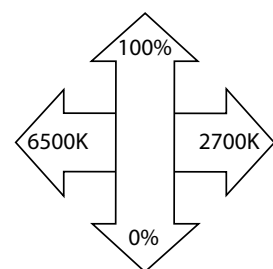




Dimmable LED Lighting

Freca is constantly evolving, which is why we have redesigned and improved most of our models; they now allow you to create different atmospheres and change the mood of the space.

Freca allows you to change the visual aspect of your kitchen with the new **dim-mable LED lighting** that allows you to program the intensity (Dimmer Function) and the temperature of the light **from 2700K to 6500K** (depends on the model). Allowing you to choose between warm, neutral and cool tones that adapt to the auxiliary lighting, transforming the ambience, the space and the experience.



Adaptable to the environment



Frameless LED lights

The essential is back, we remove what is no longer necessary, looking for purity and simplicity without leaving aside style and sophistication when manufacturing our products:

New aesthetics of **LED Lights** without frame or profile, a minimalist and elegant design, which together with dim-mable lighting, will make the kitchen a place as welcoming as it is attractive.



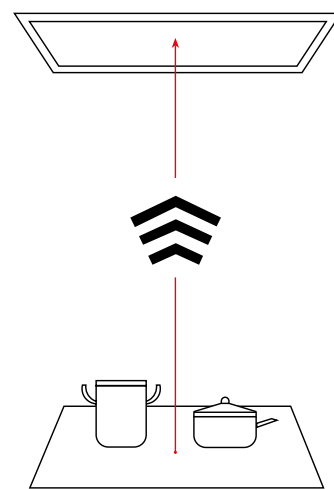
Style and sophistication

H-Connect System

The range of Frecan hobs with H-Connect technology, allows you to control the hood from the cooktop easily thanks to its wireless connection.

More **comfortably and safely** without using the hood control.

Available for Ceiling, Built-In, Wall and Island.

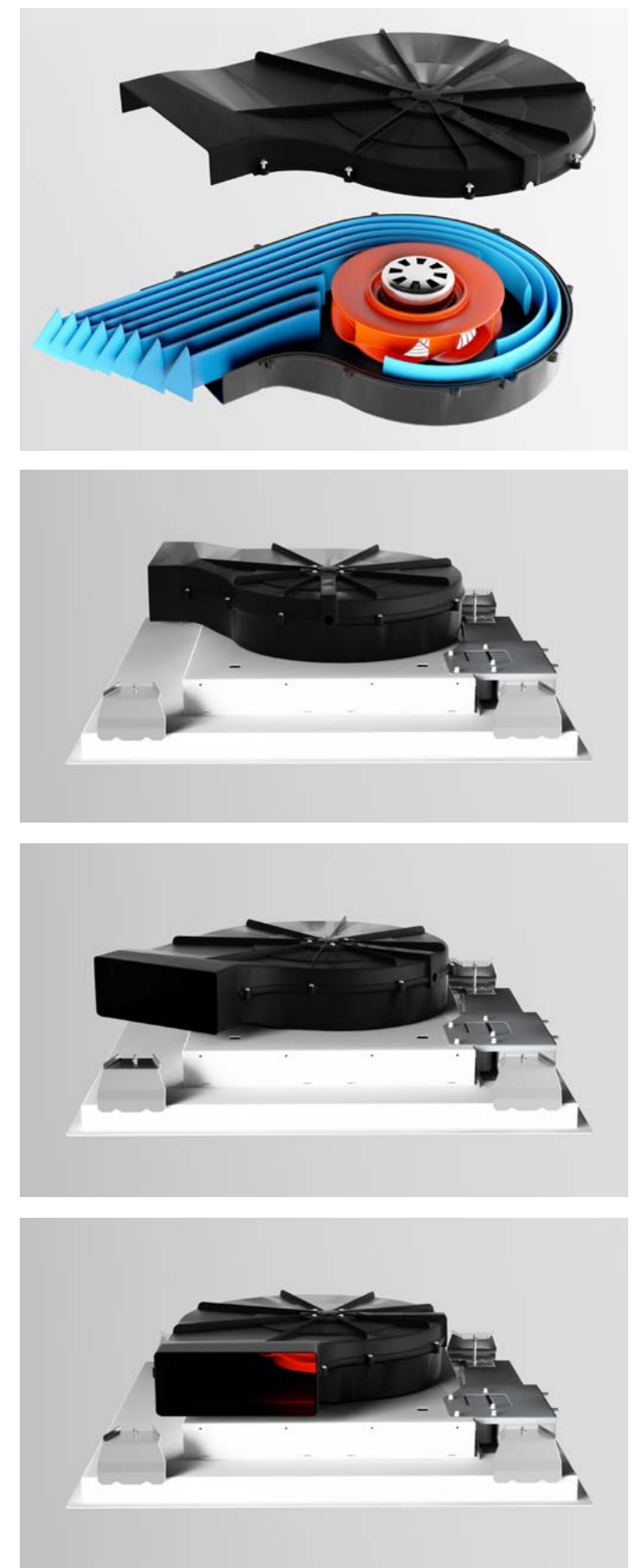
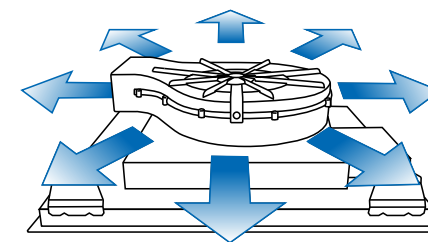


Maximum connectivity

360° Spiral Motor A+++

Freca's new 360° spiral motor drawer is now more **efficient** than ever.

Made with recycled materials, this new drawer has a great mechanical resistance and a high melting point that makes it suitable for working at high temperatures. Due to its new aerodynamics, it requires less force to obtain better results providing greater performance with lower energy consumption and maintaining a very low sound level.

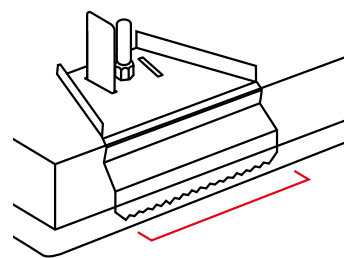


Maximum performance

Easy-fix System

Many of our ceiling hoods models have **mounting clips**, so they can be installed **easily, quickly and effortlessly**.

Just connect the motor to the ducting, raise the hood by pushing it until you hear a few *clicks* which confirm the hood is suspended, then tighten the tensioning screws to firmly fix and flush-mount the hood to the suspended ceiling.



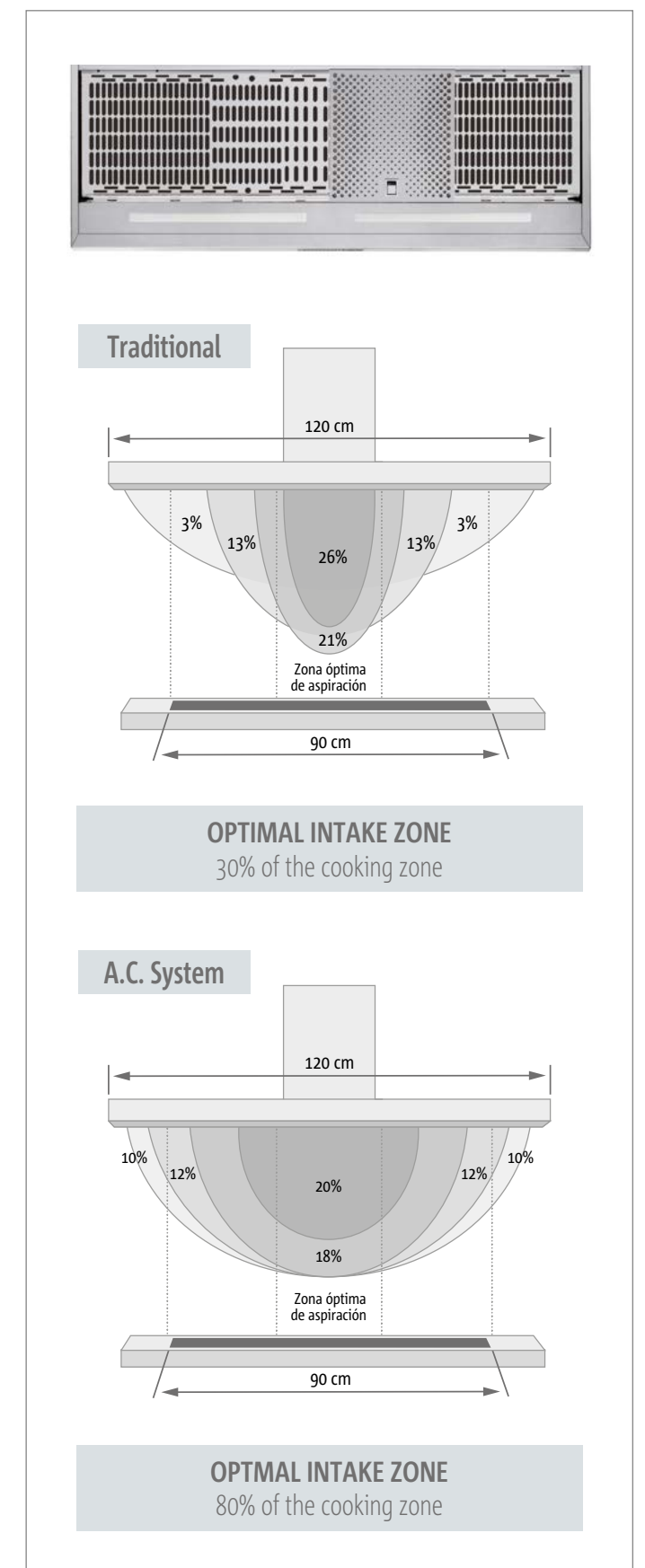
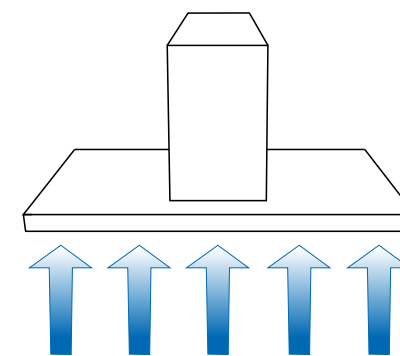
Quick mount

BA system A.C. System

This type of aspiration, **FRECAN exclusive patent**, provides the user with a greater suction power at the ends of the hood getting regular absorption on the entire surface of the filters.

Highly effective for wall hoods of 120 cm. and Island Hoods.

It also provides easy cleaning since it is designed to prevent access to the mechanical and electrical parts of the hood, thus guaranteeing the safety of the user when cleaning.



Power of aspiration

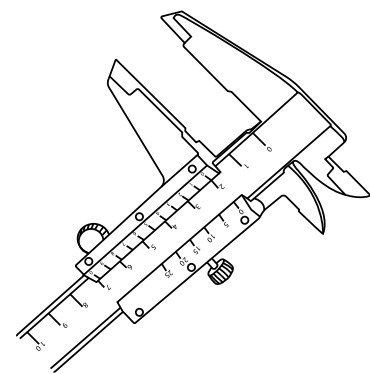
1 S/S
304
mm

S.Steel 304 of 1mm

All Frecan hoods are built with the highest quality both in terms of process and materials.

Using 304 stainless steel to ensure the durability of our products.

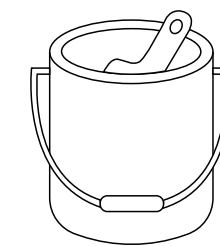
The most demanding references in our catalogue are made of stainless steel with a thickness of 1 mm instead of the standard 0.8 mm thickness, to provide a more robust and durable product.



Durable materials

Personalize your hood

All our hoods allow certain customizations. From changing the warmth of the light to modifying the decorative tubes or even painting your hood in another colour. (See Pg. 146)



Craftsmanship and technology

Iconography - Technical Info.

FRECAN



Stainless Steel AISI 304 of 1mm

In the most demanding models in our catalog we use 1mm thickness stainless steel to offer an even more solid product.



TouchControl

Great versatility and precise control. Intuitive and immediate activation. Simple handling from a single control.



H-Connect

H-Connect technology hobs allow you to easily control the hood from the hob thanks to its wireless connection.



Electronic Control

The electronic control allows the control of the hood and the programming of functions such as the Filter Saturation Alarm or the Deferred Stop (LastTime).



Motor-Silence

Maximum performance, minimum noise, maximum comfort. Air movement with perfect noise behaviour, even at high performance levels.



Deferred stop (Last time)

By connecting the last time function the hood will keep on running for 10 minutes and will automatically disconnect after recycling or extracting the air of your kitchen.



4 Directions

Steerable outlet in 4 directions:

The models with steerable outlet allow the ducts to be connected in 4 directions, making their installation easier.



Saturation filter alarm

Flashing light that indicates when filters need cleaning in the case of cooker hoods with external evacuation, and the replacement of carbon filters in case of recirculation hoods.



360° Rotative Motor

The 360° rotary motor allows the extraction ducts to be installed in any direction, allowing an easy installation even in wall kitchens.



Dimmable LED Lighting

Most of our models have dimmable LEDs with programmable intensity and colour regulation and offer dimmable light from 2700K to 6500K.



Fonotech

Some models incorporate 9 mm plates of anti-vibration material in their motor boxes that reduce and isolate noise and vibrations.



LED Lighting

All our hoods without Dimmable LED Lighting, have a led light between 2700K and 3000K. Lower consumption, greater durability.



Airsoft

The models in the Frecan silent range have silencer/soundproofing ducts that reduce between 11-15% of the perceived sound of the hood.



Easy-Fix

Many of our ceiling hoods models have mounting clips, so they can be installed easily, quickly and effortlessly.



Remote control

Many models (especially ceiling models) are equipped with remote control.



Easy Clean

Defined to provide easy cleaning surface and it serves as a security border to keep the user away from the hood motor and electric parts.

Iconography - Technical Info.

FRECAN



Aluminum filters

Standard aluminum filters consist of 4 aluminum filter sheets plus a housing with a decorative aluminum front and back. (4+2)



Color lacquered Aluminum filters

The white or black lacquered filters add elegance to all the hood models in those colours. In addition, the lacquer is highly resistant and can be washed in the dishwasher.



Stainless Steel filters: Standard

Freca standard stainless steel filters are formed by 5 aluminium filter layers plus a decorative stainless steel casing. (5+1)



Color lacquered Stainless Steel filters

The black and white lacquered steel filters are integrated into the colored hoods without sacrificing the quality of a stainless steel filter.



Stainless Steel filters: High Class

Are formed by 7 aluminium filter layers plus a front and rear decorative stainless steel casing (7+2). Retain a greater amount of grease.



Prof Labyrinth Filters

This technology guarantees maximum absorption by increasing hood's performance and allowing the collection of fats and oils.



Double aspiration system (SDA)

Designed for inclined Wall Hoods. Additional air intake that prevents smoke leaks and allows cooking with the hood closed. Reduces condensation.



Balanced Aspiration Bal. Asp.

Exclusive patent of FRECAN, provides the user with a greater suction power at the ends of the hood, we achieve regular absorption on the entire surface of the filters.



Easy installation system for islands

Installation in 4 steps: the structure (1) is installed, the hood body (2) is fixed, the upper tube is installed joining its 2 parts (3), the 2 parts of the lower tube (4) are placed and fixed.



Installable in cabinets of a min. 60 cm. depth

Our surface hoods can be installed not only on Island kitchens, but also on wall mounted kitchens with 60cm depth. Drawers of maximum 40cm deep can be installed.



M. Dissociable

The motor allows its installation in false ceilings with a minimum of up to "x" cm in upper outlet, dissociating the motor vertically/horizontally.



Aluminum

Some models are characterized by their aluminum body that reduces the weight of the hood, allowing easy and ultralight installation.



Helsa Cubes Recirculation

Carbon ceramic cubes that are characterized by being high performance filters with low energy consumption, low noise, long useful life and regenerable.



False Ceiling

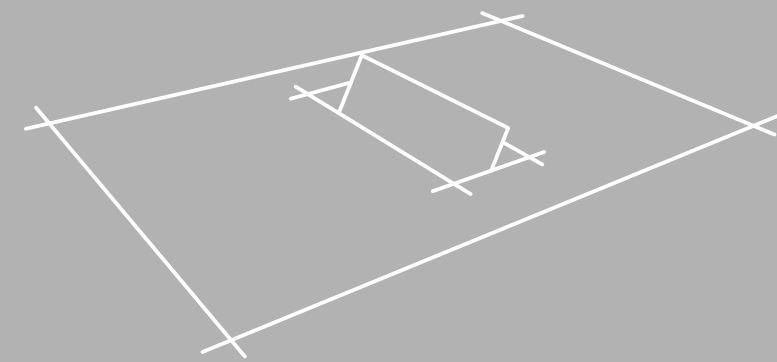
This label provides detailed information on the minimum recommended false ceiling height at which the ceiling hood can be installed.

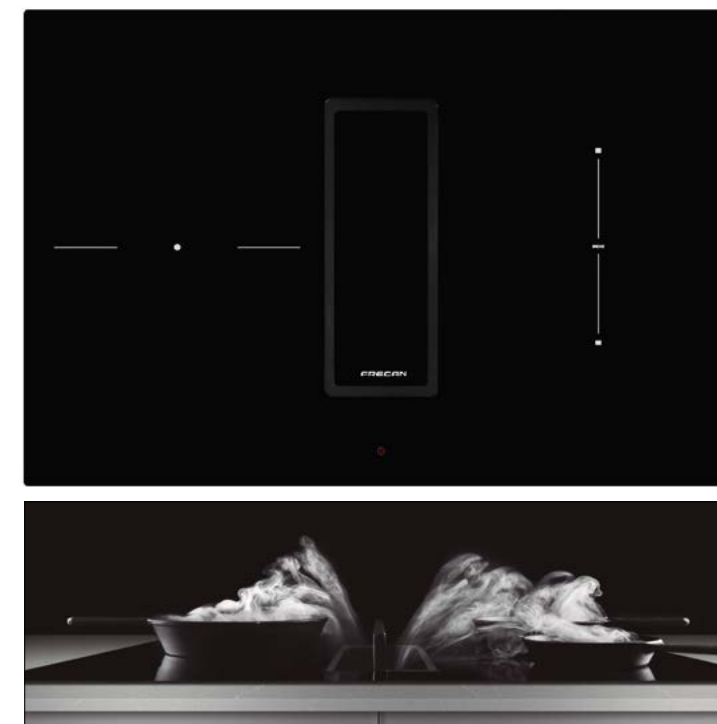
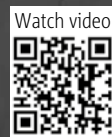


Warranty

Inside our silent hoods beat the ST8 motors developed by EBM-papst. German engineering with 7 years warranty. Full confidence.

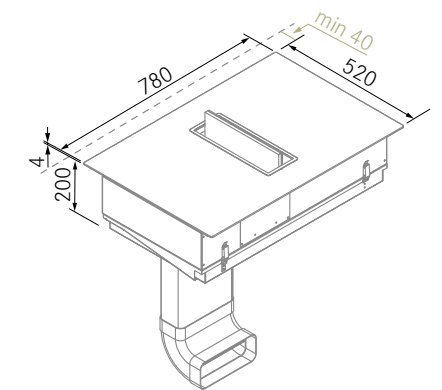
Surface Hoods





Technical design

780 - Outlet 220 x 90 mm. (External dimensions)
 Cut-out 760 x 490 mm. Flushed dimensions: See Pg. 44
 Ideal dimensions for installation in wall-mounted kitchens



Leave a fix space of 40 mm from the wall to the edge of the hood and 50 mm to the cut out.
 More information about the installation on page 44.

Versions

Dimensions (mm)	Finish	Aluminium Filters	Internal Motor	Ref.	Sonority		EE
					Pres. dBA min/max	Pow. dBA min/max	
780	Black	2	R1300	27250	33/59	40/66	A++

Hood



Technical Information

- Silence Motor R1300.
- Touch Control Hidden.
- Deferred stop (LastTime).
- Saturation filters alarm.
- 9+1 power levels.
- Installation flush mounted or inset.
- Possibility of installation in wall-mounted kitchens.
- Recirculation through carbon filters Included.
- Liquid tray (3,5l).

Optional Accessories

	Ref.
Flow 5 L750 Plasma Filter	90413
Flat Plasma Filter F800	90373
R-Drawer socle (Recirculation) H5	90404
R-Drawer socle (Recirculation) H3	90267
Socle grid	90376

Compatible ducting. See page 174.

Hob



Technical Information

- Touch control with Slider
- 9 power levels in each zone
- Bridge function (Bridge in right area)
- Power Boost function
- Recall function
- Stop & Go function
- Timer function in each zone.
- Independent timer
- Keep warm function
- Heating function.
- Automatic container detection
- Residual heat indicator
- Security lock

Description

- Hob with 3 Cooking Zones
- Total measurements: 780 x 520 x 200 mm.
- Cut-out measurements: 760 x 490 mm.

Cooking zones

- Left Ø250 mm. 2100 W. - Power Boost 3000 W.
- Rear Right 210x190 mm. 2100 W. - Power Boost 3000 W.
- Front Right 210x190 mm. 2100 W. - Power Boost 3000 W.
- **Maximum total power 6700 W.**



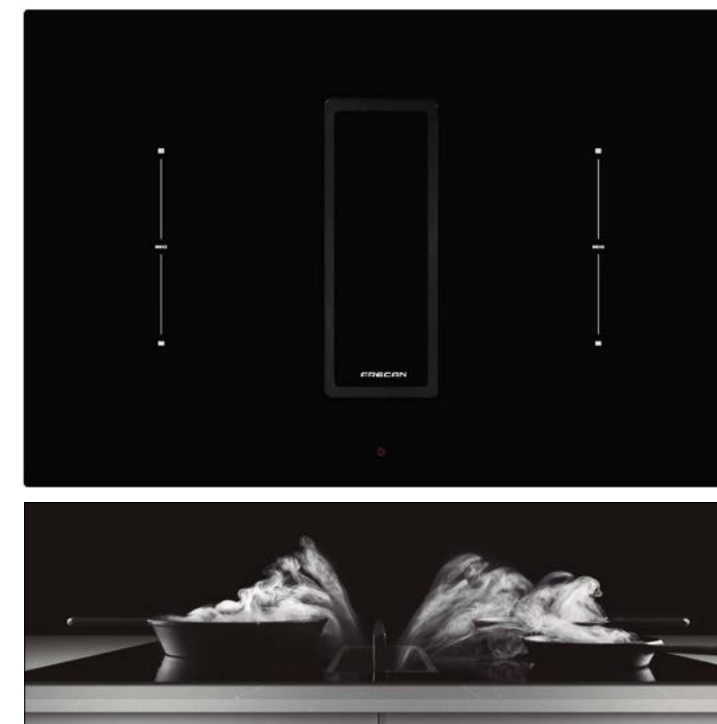
Liquid tray.



Thanks to its design, the Suction Zone of the Flow 5 produces a high-speed air flow generating an attraction effect that expands higher, attracting the fumes towards the center and bringing them inside.

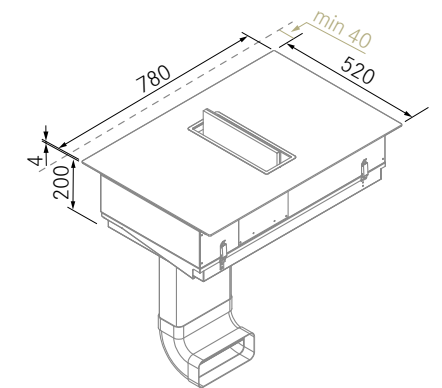


Quick temperature selection with the slider: just touch the desired power level with a finger on the touch screen. The same happens with the suction zone, selecting the desired power.



Technical design

780 - Outlet 220 x 90 mm. (External dimensions)
 Cut-out 760 x 490 mm. Flushed dimensions: See Pg. 44
 Ideal dimensions for installation in wall-mounted kitchens



Leave a fix space of 40 mm from the wall to the edge of the hood and 50 mm to the cut out.
 More information about the installation on page 44.

Versions

Dimensions (mm)	Finish	Aluminium Filters	Internal Motor	Ref.	Sonority		EE
					Pres. dBA min/max	Pow. dBA min/max	
780	Black	2	R1300	27251	33/59	40/66	A+++

Hood



Technical Information

- Silence Motor R1300.
- Touch Control Hidden.
- Deferred stop (LastTime).
- Saturation filters alarm.
- 9+1 power levels.
- Installation flush mounted or inset.
- Possibility of installation in wall-mounted kitchens.
- Recirculation through carbon filters Included.
- Liquid tray (3,5l).

Optional Accessories

	Ref.
Flow 5 L750 Plasma Filter	90413
Flat Plasma Filter F800	90373
R-Drawer socle (Recirculation) H5	90404
R-Drawer socle (Recirculation) H3	90267
Socle grid	90376

Compatible ducting. See page 174.

Hob



Technical Information

- Touch control with Slider
- 9 power levels in each zone
- Función Bridge (Puente en las dos zonas)
- Power Boost function
- Recall function
- Stop & Go function
- Timer function in each zone.
- Independent timer
- Keep warm function
- Heating function.
- Automatic container detection
- Residual heat indicator
- Security lock

Description

- Hob with 4 Cooking Zones
- Total measurements: 780 x 520 x 200 mm.
- Cut-out measurements: 760 x 490 mm.

Cooking zones

- Rear Left 210x190 mm. 2100 W. - Power Boost 3000 W.
- Front Left 210x190 mm. 2100 W. - Power Boost 3000 W.
- Rear Right 210x190 mm. 2100 W. - Power Boost 3000 W.
- Front Right 210x190 mm. 2100 W. - Power Boost 3000 W.
- **Maximum total power 6700 W.**



Liquid tray.



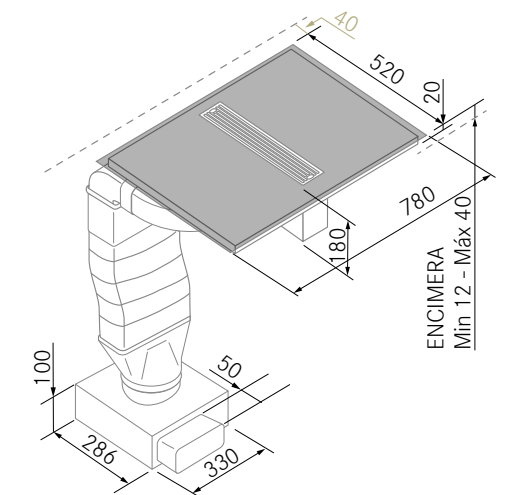
Thanks to its design, the Suction Zone of the Flow 5 produces a high-speed air flow generating an attraction effect that expands higher, attracting the fumes towards the center and bringing them inside.



Quick temperature selection with the slider: just touch the desired power level with a finger on the touch screen. The same happens with the suction zone, selecting the desired power.



Technical design
 780 - Outlet 220 x 90 mm. (External dimensions)
 Cut-out 750 x 505 mm. Medida de enrase: See Pg. 44
 Ideal dimensions for installation in wall-mounted kitchens
 Requires 2 plugs (Hob & Hob). It's recommended to place a differential separately for the hob.



Leave a fix space of 40 mm from the wall to the edge of the hood and 50 mm to the cut out.
 More information about the installation on page 44.

Versions

Dimensions (mm)	Finish	Aluminium Filters	Internal Motor	Ref.	Sonority		EE
					Pres. dBA min/max	Pow. dBA min/max	
780	Negra	2	R800GP	26037	32/52	38/58	B

- Motor-Silence
- TouchControl
- Last-time
- Depth

Hood

Technical Information

- Stainless Steel Finish.
- Silence Motor R800GP.
- Touch Control.
- Deferred stop (LastTime).
- 3 Speeds + Booster.
- Installation flush mounted or inset.
- Possibility of installation in wall-mounted kitchens.
- Optional recirculation.
- Liquid tray.

Optional Accessories

	Ref.
Flat Plasma Filter F800	90373
R-Drawer socle (Recirculation) H3	90267
Socle grid	90376

Compatible ducting. See page 175.

Hob

Technical Information

- 4 Cooking Zones.
- Bridge Function.
- Touch control with Slider
- 9 power levels in each zone
- Power Boost Function.
- Función Timer
- Automatic container detection
- Automatismo Go & Stop
- Residual heat indicator
- Security lock
- EGO Components.

Description

- Hob 4 Cooking Zones
- Total measurements: 780 x 520 mm. (r=5)
- Cut-out measurements: 750 x 505 mm.

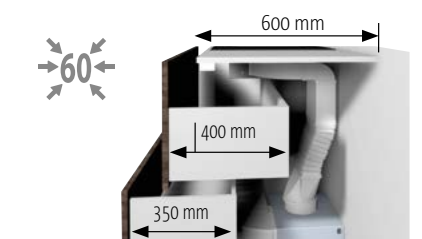
Cooking zones

- 4 Zones 220 X 180 mm. 2100 W.
- Power Boost 3700 W.
- Bridges in 2 zones groups.
- TOTAL POWER 7400 W.**

Removable tray collector for liquids



The small dimension of the hood body allow its installation in min. 60 cm. cabinets and also the installation of max. 40 cm. and 35 cm. depth drawers.

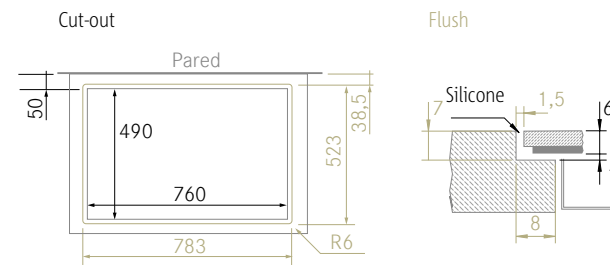
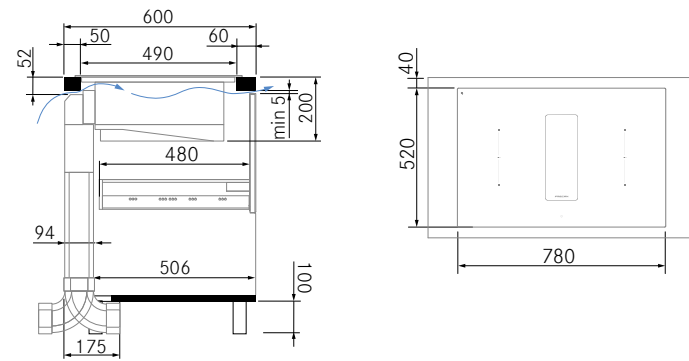


Its installation in Wall Hoods does not require a furniture back panel.

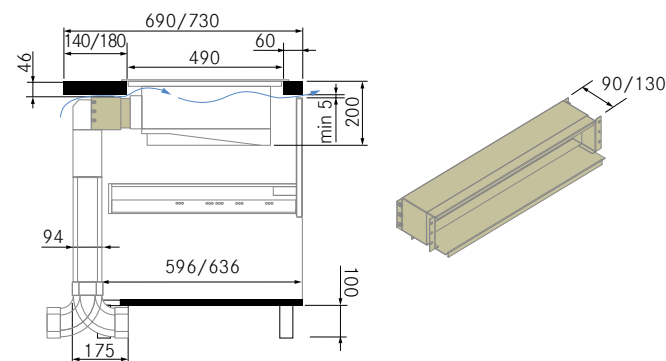
Flow hoods installation

FRECAN

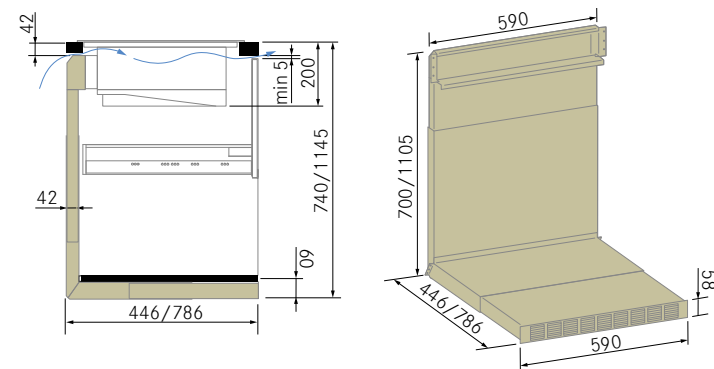
Cut-out and flush of Flow 5.3 y 5.4



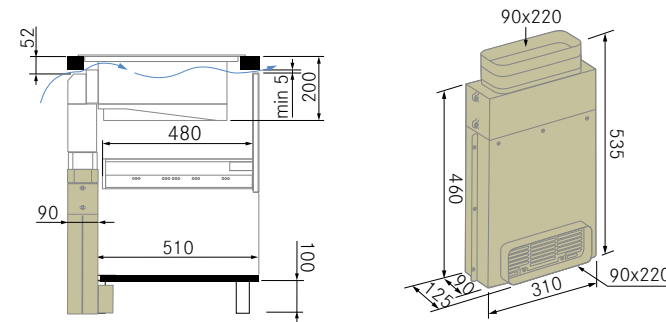
Spacer accessory (Included)



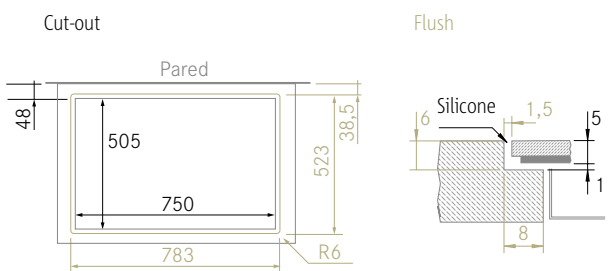
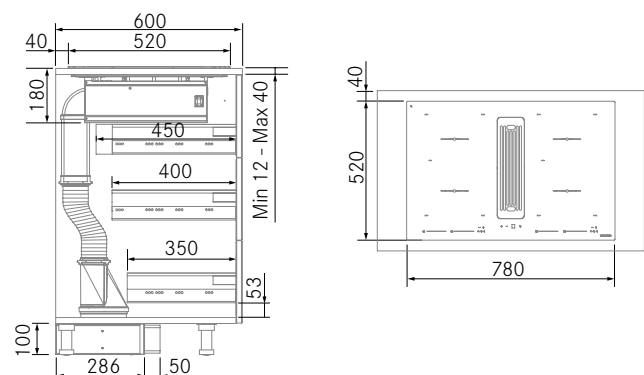
H5 Filters Accessory 90404 (Opcional)



Plasma Filter Accessory L750 (90413) (Optional)



Cut-out and flush of Flow 4



Flow hoods installation

FRECAN

Installation examples of Flow 5.3 y 5.4

Installation examples with socle grid (90376)



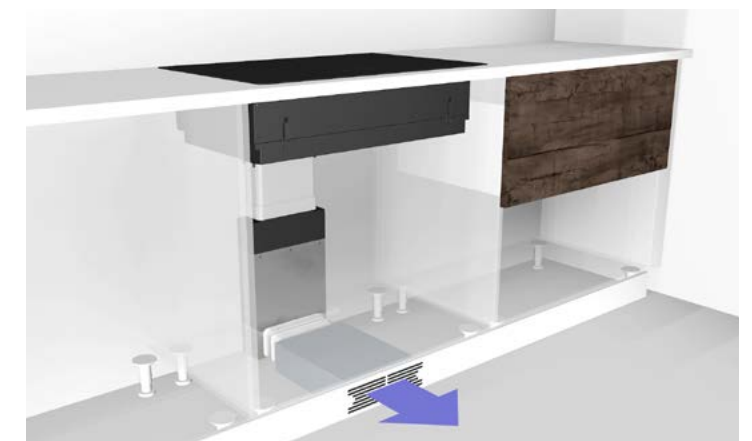
Installation examples with exterior exit



Installation examples with R-Drawer H5 (90404)



Installation examples with plasma L750 (90413)



Installation examples of Flow 4

Installation examples with exterior exit



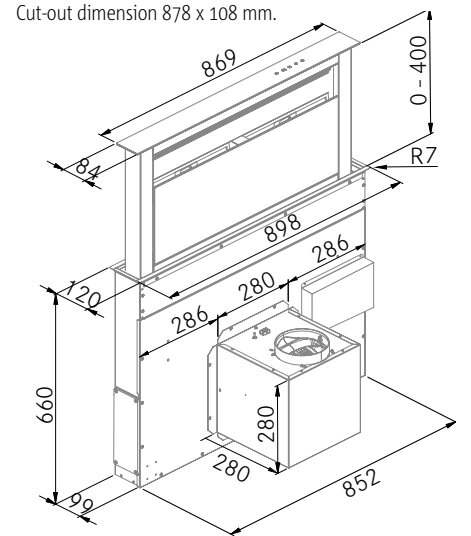
Installation examples with R-Drawer H3 (90267)





Technical design

Outlet 150 mm.
Cut-out dimension 878 x 108 mm.



Maximum distance between hob and hood 30 mm.
To be installed with panoramic cooking zone hobs.



Versions

Dimensions (mm)	Finish	Aluminium Filters	Internal Motor	Ref.	Sonority		EE
					Pres. dBA min/max	Pow. dBA min/max	
900	Black	1	730	27403	42/59	48/61	D



Technical Information

- Stainless Steel finish and Black Glass.
- Motor 730 m³/h.
- Motor DISSOCIABLE 1 m.
- Touch Control.
- Deferred stop (Last time).
- Saturation filters alarm.
- LED Lighting (4000K).
- 3 Speeds + Booster.
- Optional recirculation through filter.
- Perimetral aspiration.

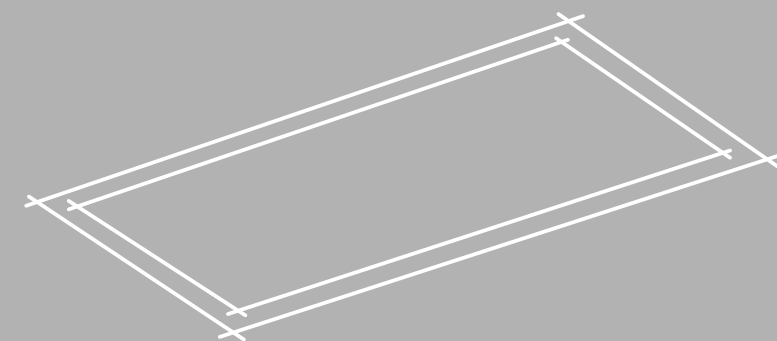
Optional Accessories

	Ref.
Recirculation kit	90285

Ducting pipes. See page 176.

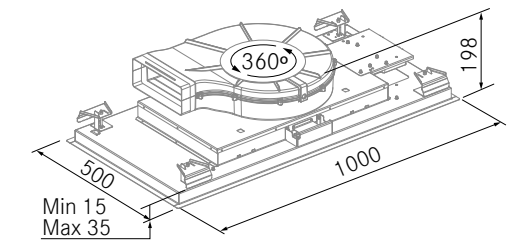
Double installation: Allows installation with an internal or dissociated motor at a maximum of 1 m.

Ceiling Hoods





Technical design
 Outlet 220 x 90 mm. or Ø150 mm. (External dimensions)
 Cut-out dimension 970 x 475 mm.



The Bright 360 hood can only be installed to suspended ceiling.
 The ceiling must be constructed to withstand a weight of **30kg**.

Light Panel

A large 26W (21Lm/W) light panel makes it possible to dispense with extraordinary lighting. **The lighting panel is operated through a remote control of the hood.**

Dimmable LED Lighting

LED lighting with programmable intensity and colour regulation (from 2700K to 6500K).



H-Connect

Reference suitable with H-Connect hobs, allowing to control all the functions and features of the hood from a control located on the hob.



360° Rotative Motor

It allows the extraction ducts to be installed in any direction, permitting ease of installation even in wall kitchens.



Versions

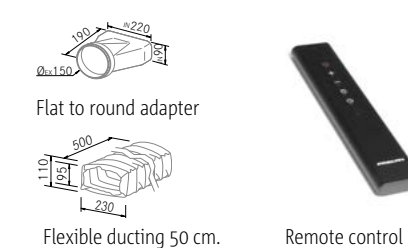
Dimensions (mm)	Finish	Aluminium Filters	LED Panel	Internal Motor	Ref.	Sonority		EE
						Pres. dBA min/max	Pow. dBA min/max	
1000	White	3	Dimmable	R1000GP	27500	31/52	35/58	A+



Technical Information

- White Lacquered Finish (RAL 9003).
- Compatible with H-Connect Hobs.
- Silence Motor R1000GP.
- Deferred stop (LastTime).
- Dimmable LED Lighting Panel
- 3 Speeds + Booster.
- Perimetral aspiration.
- Optional recirculation.

Included Accessories



Optional Accessories

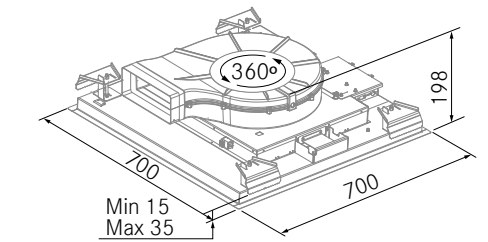
	Ref.
Plasma Filter C1000 + Drawer	90412
Plasma Filter C600 + Drawer	90410
Flat Plasma Filter F800	90373
FC Plus Roof Carbon Filter	90384
R Drawer - Ceramic Cubes H2	90411
Grid for false ceilings	90375
Airsoft 2 Soundproofing duct (-4 dBA)	90310

Compatible ducting. See page 175.



Technical design

Outlet 220 x 90 mm. or Ø150 mm. (External dimensions)
Cut-out dimension 670 x 670 mm.



The Lia 360 hood can only be installed to suspended ceiling. The ceiling must be constructed to withstand a weight of **23 kg**.

Standard Dimensions

The Lia model has dimensions of 70 x 70, a very common measure in modular ceilings.



Light Panel

A large 20,5W (16Lm/W) light panel makes it possible to dispense with extraordinary lighting. **The lighting panel is operated through a remote control of the hood.**

Dimmable LED Lighting

LED lighting with programmable intensity and colour regulation (from 2700K to 6500K).



H-Connect

Reference suitable with H-Connect hobs, allowing to control all the functions and features of the hood from a control located on the hob.



360° Rotative Motor

It allows the extraction ducts to be installed in any direction, permitting ease of installation even in wall kitchens.



Versions

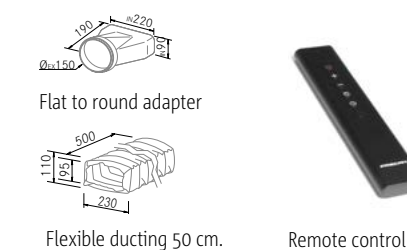
Dimensions (mm)	Finish	Aluminium Filters	LED Panel	Internal Motor	Ref.	Sonority		EE
						Pres. dBA min/max	Pow. dBA min/max	
700	White	2	Dimmable	R1000GP	27501	33/53	36/59	A+



Technical Information

- White Lacquered Finish (RAL 9003).
- Compatible with H-Connect Hobs.
- Silence Motor R1000GP.
- Deferred stop (LastTime).
- Dimmable LED Lighting.
- 3 Speeds + Booster.
- Optional recirculation.
- Perimetral aspiration.

Included Accessories



Optional Accessories

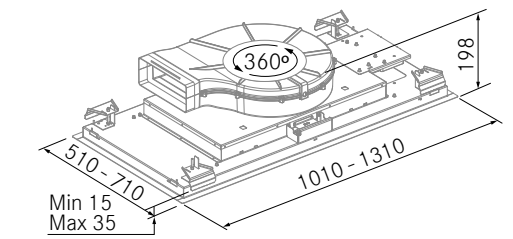
	Ref.
Plasma Filter C1000 + Drawer	90412
Plasma Filter C600 + Drawer	90410
Flat Plasma Filter F800	90373
FC Plus Roof Carbon Filter	90384
R Drawer - Ceramic Cubes H2	90411
Grid for false ceilings	90375
Airsoft 2 Soundproofing duct (-4 dBA)	90310

Compatible ducting. See page 175.



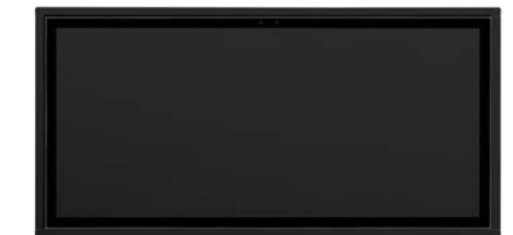
Technical design

Outlet 220 x 90 mm. or Ø150 mm. (External dimensions)
Cut-out dimension 980 x 480 mm./1280 x 680 mm.



Versions

Dimensions (mm)	Finish	Aluminium Filters	Perimetral LED	Internal Motor	Ref.	Sonority		EE
						Pres. dBA min/max	Pow. dBA min/max	
1010	White	3	Dimmable	R1000GP	27502	31/52	35/58	A+
1010	Black	3	Dimmable	R1000GP	27503	31/52	35/58	A+
1310	White	3	Dimmable	R1000GP	27504	31/52	35/58	A+



The Sense 360 hood can only be installed to suspended ceiling. The ceiling must be constructed to withstand a weight of 30kg.

H-Connect

Reference suitable with H-Connect hobs, allowing to control all the functions and features of the hood from a control located on the hob.



Dimmable LED Lighting

LED lighting with programmable intensity and colour regulation (from 3000K to 6000K).



360° Rotative Motor

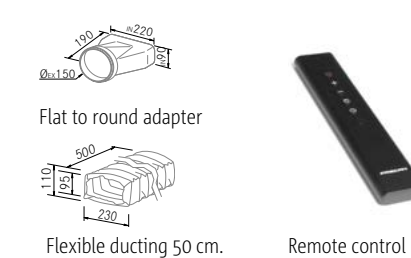
It allows the extraction ducts to be installed in any direction, permitting ease of installation even in wall kitchens.



Technical Information

- White/Black Lacquered Finish (RAL 9003/9005)
- Compatible with H-Connect Hobs.
- Silence Motor R1000GP.
- Deferred stop (LastTime).
- Dimmable LED Lighting
- 3 Speeds + Booster.
- Optional recirculation.
- Perimetral aspiration.

Included Accessories



Optional Accessories

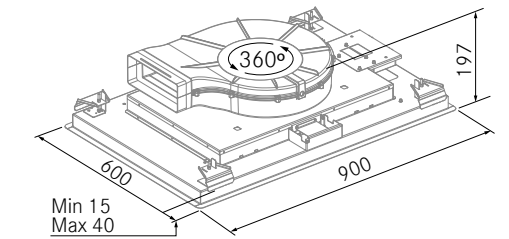
	Ref.
Plasma Filter C1000 + Drawer	90412
Plasma Filter C600 + Drawer	90410
Flat Plasma Filter F800	90373
FC Plus Roof Carbon Filter	90384
R Drawer - Ceramic Cubes H2	90411
Grid for false ceilings	90375
Airsoft 2 Soundproofing duct (-4 dBA)	90310

Compatible ducting. See page 175.



Technical design

Outlet 220 x 90 mm. or Ø150 mm. (External dimensions)
Cut-out dimension 870 x 575 mm.



The Astro hood can only be installed to suspended ceiling. The ceiling must be constructed to withstand a weight of **35 kg**.

Versions

Dimensions (mm)	Finish	Aluminium Filters	Perimetral LED	Internal Motor	Ref.	Sonority		EE
						Pres. dBA min/max	Pow. dBA min/max	
900	White	3	Dimmable	R1000GP	27694	34/54	38/58	A++

H-Connect

Reference suitable with H-Connect hobs, allowing to control all the functions and features of the hood from a control located on the hob.



360° Rotative Motor

It allows the extraction ducts to be installed in any direction, permitting ease of installation even in wall kitchens.



Dimmable LED Lighting

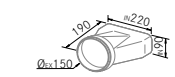
LED lighting with programmable intensity and colour regulation (from 2700 to 6000K).



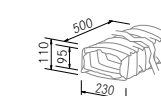
Technical Information

- White Glass Finish (RAL 9003).
- Compatible with H-Connect Hobs.
- Silence Motor R1000GP.
- Deferred stop (LastTime).
- Dimmable LED Lighting.
- 3 Speeds + Booster.
- Optional recirculation.
- Perimetral aspiration.

Included Accessories



Flat to round adapter



Flexible ducting 50 cm.



Remote control

Optional Accessories

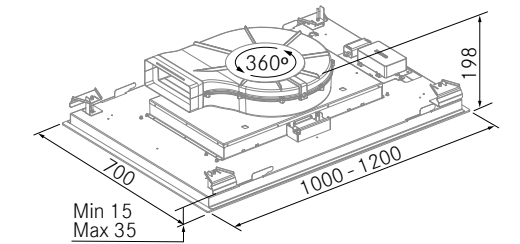
	Ref.
Plasma Filter C1000 + Drawer	90412
Plasma Filter C600 + Drawer	90410
Flat Plasma Filter F800	90373
FC Plus Roof Carbon Filter	90384
R Drawer - Ceramic Cubes H2	90411
Grid for false ceilings	90375
Airsoft 2 Soundproofing duct (-4 dBA)	90310

Compatible ducting. See page 175.



Technical design

Outlet 220 x 90 mm. or Ø150 mm. (External dimensions)
Cut-out dimension 970 x 675 mm. / 1150 x 650 mm.



The Cloud 360 hood can only be installed to suspended ceiling.
The ceiling must be constructed to withstand a weight of **35kg**.

H-Connect

Reference suitable with H-Connect hobs, allowing to control all the functions and features of the hood from a control located on the hob.



Versions

Dimensions (mm)	Finish	Aluminium Filters	LED Strips	Internal Motor	Ref.	Sonority		EE
						Pres. dBA min/max	Pow. dBA min/max	
1000	White	3	2	R1000GP	27505	34/54	38/58	A+
1200	White	3	2	R1000GP	27506	33/54	37/60	A+

360° Rotative Motor

It allows the extraction ducts to be installed in any direction, permitting ease of installation even in wall kitchens.



Dimmable LED Lighting

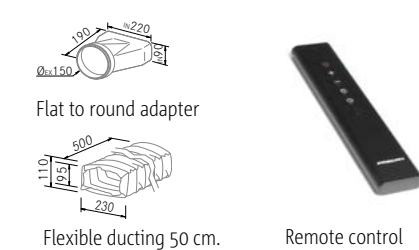
LED lighting with programmable intensity and colour regulation (from 3000K to 4500K).



Technical Information

- White Glass Finish (RAL 9003).
- Compatible with H-Connect Hobs.
- Silence Motor R1000GP.
- Deferred stop (LastTime).
- Dimmable LED Lighting.
- 3 Speeds + Booster.
- Optional recirculation.
- Perimetral aspiration.

Included Accessories



Optional Accessories

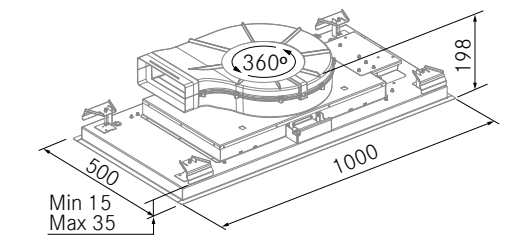
	Ref.
Plasma Filter C1000 + Drawer	90412
Plasma Filter C600 + Drawer	90410
Flat Plasma Filter F800	90373
FC Plus Roof Carbon Filter	90384
R Drawer - Ceramic Cubes H2	90411
Grid for false ceilings	90375
Airsoft 2 Soundproofing duct (-4 dBA)	90310

Compatible ducting. See page 175.



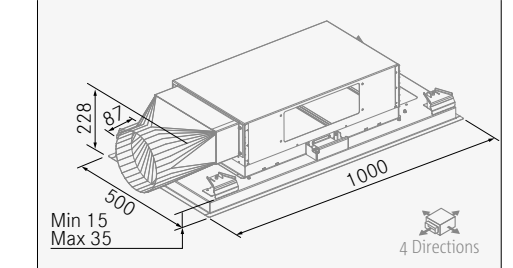
Technical design (Internal Motor)

Outlet 220 x 90 mm. or $\phi 150$ mm. (External dimensions)
Cut-out dimension 970 x 475 mm.



Technical design (External Motors)

Outlet $\phi 200$. (External dimensions)
Cut-out dimension 970 x 475 mm.



The Moon 360 hood can only be installed to suspended ceiling,
The ceiling must be constructed to withstand a weight of **35kg**.

360° Rotative Motor

It allows the extraction ducts to be installed in any direction, permitting ease of installation even in wall kitchens.



External Motors

	Ref.
Intermediate Motor - IL1300EC - $\phi 200$	90406
Intermediate Motor - IL2200EC - $\phi 200$	90405
Wall Motor - PA1200EC - $\phi 200$	90407
Roof Motor - TJ2000EC - $\phi 200$	90409
Roof Motor - TJ2500EC - $\phi 200$	90408

More information Page 181.

H-Connect

Reference suitable with H-Connect hobs, allowing to control all the functions and features of the hood from a control located on the hob.



Dimmable LED Lighting

LED lighting with programmable intensity and colour regulation (from 3000K to 4500K).



Optional Accessories

	Ref.
Plasma Filter C1000 + Drawer	90412
Plasma Filter C600 + Drawer	90410
Flat Plasma Filter F800	90373
FC Plus Roof Carbon Filter	90384
R Drawer - Ceramic Cubes H2	90411
Grid for false ceilings	90375
Airsoft 2 Soundproofing duct (-4 dBA)	90310

Compatible ducting. See page 175.

Versions

Dimensions (mm)	Finish	Aluminium Filters	LED Strips	Internal Motor	Ref.	Sonority		EE
						Pres. dBA min/max	Pow. dBA min/max	
1000	White	3	2	R1000GP	27507	31/52	36/58	A++
1000	Black	3	2	R1000GP	27508	31/52	36/58	A++

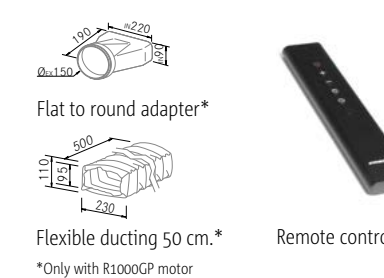
1000	White	3	2	Without Motor	27509	Complete with External Motors		
1000	Black	3	2	Without Motor	27510			



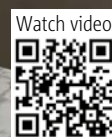
Technical Information

- White/Black Lacquered & Glass Finish (RAL 9003/9005).
- Compatible with H-Connect Hobs.
- Silence Motor R1000GP.
- Deferred stop (LastTime).
- Dimmable LED Lighting.
- 3 Speeds + Booster.
- Optional recirculation.
- Perimetral aspiration.

Included Accessories



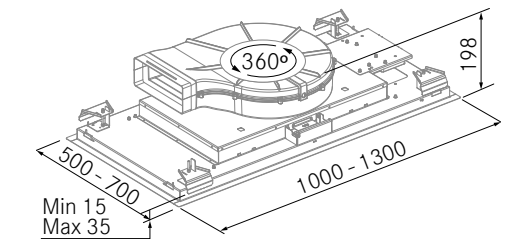
*Only with R1000GP motor





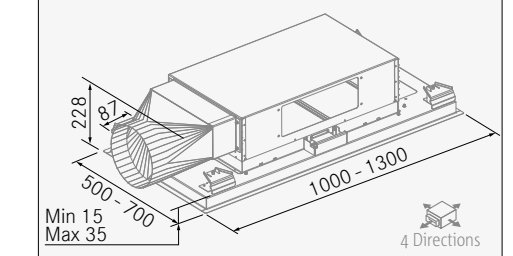
Technical design (Internal Motor)

Outlet 220 x 90 mm. or Ø150 mm. (External dimensions)
Cut-out dimension 970 x 475 mm. o 1270 x 675 mm.



Technical design (External Motors)

Outlet Ø200. (External dimensions)
Cut-out dimension 970 x 475 mm.



The Nitro 360 hood can only be installed to suspended ceiling, The ceiling must be constructed to withstand a weight of **30/ 35 kg**.

Versions

Dimensions (mm)	Finish	Aluminium Filters	LED Strips	Internal Motor	Ref.	Sonority		EE
						Pres. dBA min/max	Pow. dBA min/max	
1000	S.Steel	3	2	R1000GP	27511	31/52	35/58	A++
1000	White	3	2	R1000GP	27512	31/52	35/58	A++
1300	S.Steel	3	2	R1000GP	27513	32/52	37/58	A++
1300	White	3	2	R1000GP	27514	32/52	37/58	A++

1000	S.Steel	3	2	Without Motor	27515	Complete with External Motors		
1000	White	3	2	Without Motor	27516			
1300	S.Steel	3	2	Without Motor	27517			
1300	White	3	2	Without Motor	27518			

360° Rotative Motor

It allows the extraction ducts to be installed in any direction, permitting ease of installation even in wall kitchens.



External Motors

	Ref.
Intermediate Motor - IL1300EC - Ø200	90406
Intermediate Motor - IL2200EC - Ø200	90405
Wall Motor - PA1200EC - Ø200	90407
Roof Motor - TJ2000EC - Ø200	90409
Roof Motor - TJ2500EC - Ø200	90408

More information Page 181.

H-Connect

Reference suitable with H-Connect hobs, allowing to control all the functions and features of the hood from a control located on the hob.



Dimmable LED Lighting

LED lighting with programmable intensity and colour regulation (from 3000K to 4500K).



Optional Accessories

	Ref.
Plasma Filter C1000 + Drawer	90412
Plasma Filter C600 + Drawer	90410
Flat Plasma Filter F800	90373
FC Plus Roof Carbon Filter	90384
R Drawer - Ceramic Cubes H2	90411
Grid for false ceilings	90375
Airsoft 2 Soundproofing duct (-4 dBA)	90310

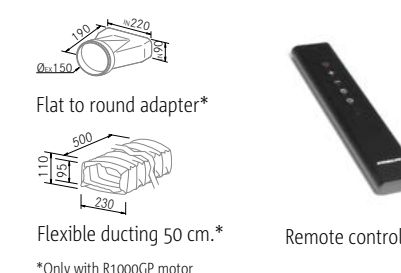
Compatible ducting. See page 175.



Technical Information

- Stainless Steel or White Lacquered Finish (RAL 9003).
- Compatible with H-Connect Hobs.
- Silence Motor R1000GP.
- Deferred stop (LastTime).
- Dimmable LED Lighting.
- 3 Speeds + Booster.
- Optional recirculation.
- Perimetral aspiration.

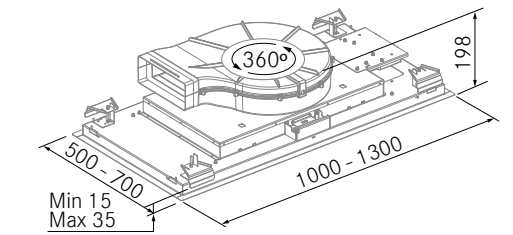
Included Accessories



*Only with R1000GP motor

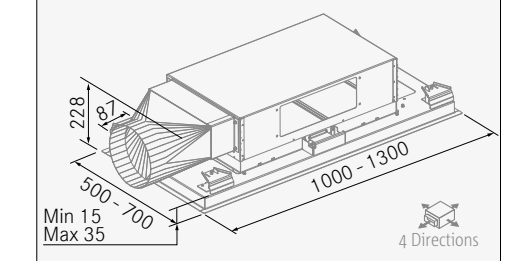


Technical design (Internal Motor)
 Outlet 220 x 90 mm. or Ø150 mm. (External dimensions)
 Cut-out dimension 970 x 475 mm. o 1270 x 675 mm.



Technical design (External Motors)

Outlet Ø200. (External dimensions)
 Cut-out dimension 970 x 475 mm.



The SCL 360 hood can only be installed to suspended ceiling
 The ceiling must be constructed to withstand a weight of **30/ 35 kg.**

Versions

Dimensions (mm)	Finish	Aluminium Filters	Internal Motor	Ref.	Sonority		EE
					Pres. dBA min/max	Pow. dBA min/max	
1000	S.Steel	3	R1000GP	27299	30/51	35/58	A+++
	White	3	R1000GP	27301	30/51	35/58	A+++
	Black	3	R1000GP	27303	30/51	35/58	A+++
1300	S.Steel	3	R1000GP	27305	30/51	35/58	A+++
	White	3	R1000GP	27307	30/51	35/58	A+++
	Black	3	R1000GP	27382	30/51	35/58	A+++

1000	S.Steel	3	Without Motor	27300	Complete with External Motors
	White	3	Without Motor	27302	
	Black	3	Without Motor	27304	
1300	S.Steel	3	Without Motor	27306	
	White	3	Without Motor	27308	
	Black	3	Without Motor	27383	

360° Rotative Motor

It allows the extraction ducts to be installed in any direction, permitting ease of installation even in wall kitchens.



External Motors

	Ref.
Intermediate Motor - IL1300EC - Ø200	90406
Intermediate Motor - IL2200EC - Ø200	90405
Wall Motor - PA1200EC - Ø200	90407
Roof Motor - TJ2000EC - Ø200	90409
Roof Motor - TJ2500EC - Ø200	90408

More information Page 181.

H-Connect

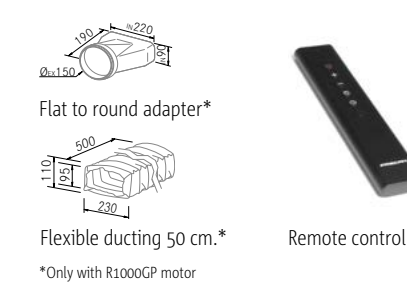
Reference suitable with H-Connect hobs, allowing to control all the functions and features of the hood from a control located on the hob.



Technical Information

- S.Steel or White/Black Lacquered Finish (RAL 9003/9005).
- Compatible with H-Connect Hobs.
- Silence Motor R1000GP.
- Deferred stop (LastTime).
- 3 Speeds + Booster.
- Optional recirculation.
- Perimetral aspiration.

Included Accessories



*Only with R1000GP motor

Optional Accessories

	Ref.
Plasma Filter C1000 + Drawer	90412
Plasma Filter C600 + Drawer	90410
Flat Plasma Filter F800	90373
FC Plus Roof Carbon Filter	90384
R Drawer - Ceramic Cubes H2	90411
Grid for false ceilings	90375
Airsoft 2 Soundproofing duct (-4 dBA)	90310

Compatible ducting. See page 175.

TR9 Slim - Ceiling Hoods

FRECAN



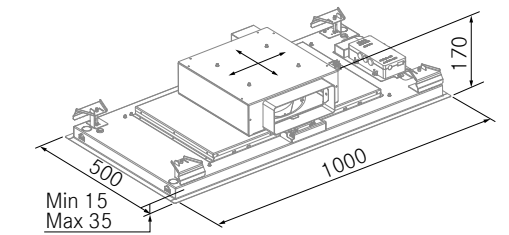
TR9 Slim - Ceiling Hoods

FRECAN



Technical design

Outlet 220 x 90 mm. ϕ 150mm.
Cut-out dimension 970 x 475 mm.



The TR9 Slim hood can only be installed to suspended ceiling
The ceiling must be constructed to withstand a weight of **30 kg**.

H-Connect

Reference suitable with H-Connect hobs, allowing to control all the functions and features of the hood from a control located on the hob.



Frameless LED lights

New aesthetics of LED Lights without frame more elegants.



4 Directions Motor

It allows the extraction ducts to be installed in 4 direction, permitting ease of installation even in wall kitchens.



Versions

Dimensions (mm)	Finish	Aluminium filters	LED Lights	Internal Motor	Ref.	Sonority		EE
						Pres. dBA min/max	Pow. dBA min/max	
1000	S.Steel	3	4	B1000	27695	35/54	41/59	B
1000	White	3	4	B1000	27696	35/54	41/59	B

False Ceiling 17 cm

The TR9 Slim hood can be installed in false ceilings of only 17 cm thanks to its small size.



Dimmable LED Lighting

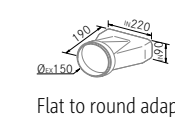
LED lighting with programmable intensity and colour regulation (from 3000K to 4000K).



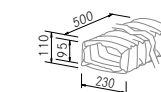
Technical Information

- Stainless Steel or White Lacquered Finish (RAL 9003).
- Compatible with H-Connect Hobs.
- Silence Motor B1000.
- Deferred stop (LastTime).
- Dimmable LED Lighting.
- 3 Speeds + Booster.
- Optional recirculation.
- Perimetral aspiration.

Included Accessories



Flat to round adapter



Flexible ducting 50 cm.



Remote control

Optional Accessories

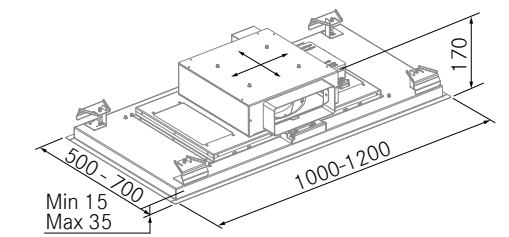
	Ref.
Plasma Filter C1000 + Drawer	90412
Plasma Filter C600 + Drawer	90410
Flat Plasma Filter F800	90373
R Drawer - Ceramic Cubes H2	90411
Grid for false ceilings	90375
Airsoft 2 Soundproofing duct (-4 dBA)	90310

Compatible ducting. See page 175.



Technical design

Outlet 220 x 90 mm. o Ø150mm.
Cut-out dimension 970 x 475 mm. or o 1170 x 675 mm.



The TR10 Slim hood can only be installed to suspended ceiling. The ceiling must be constructed to withstand a weight of **30/35 kg**.

Versions

Dimensions (mm)	Finish	Aluminium filters	Internal Motor	Ref.	Sonority		EE
					Pres. dBA min/max	Pow. dBA min/max	
1000	White	3	B1000	27404	35/54	41/59	A
1200	White	3	B1000	27405	35/54	41/59	A

H-Connect

Reference suitable with H-Connect hobs, allowing to control all the functions and features of the hood from a control located on the hob.



4 Directions Motor

It allows the extraction ducts to be installed in 4 direction, permitting ease of installation even in wall kitchens.



False Ceiling 17 cm

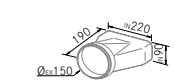
The TR10 Slim hood can be installed in false ceilings of only 17 cm thanks to its small size.



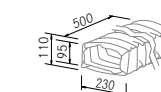
Technical Information

- White Lacquered Finish (RAL 9003).
- Compatible with H-Connect Hobs.
- Silence Motor B1000.
- Deferred stop (LastTime).
- 3 Speeds + Booster.
- Optional recirculation.
- Perimetral aspiration.

Included Accessories



Flat to round adapter



Flexible ducting 50 cm.



Remote control

Optional Accessories

	Ref.
Plasma Filter C1000 + Drawer	90412
Plasma Filter C600 + Drawer	90410
Flat Plasma Filter F800	90373
R Drawer - Ceramic Cubes H2	90411
Grid for false ceilings	90375
Airsoft 2 Soundproofing duct (-4 dBA)	90310

Compatible ducting. See page 175.



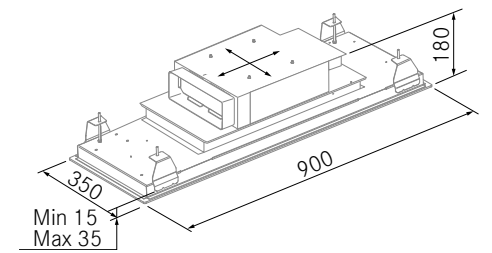
Frameless LED lights

New aesthetics of LED Lights without frame more elegants.



Technical design

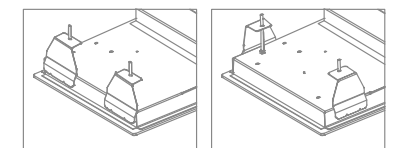
Outlet 220 x 90 mm. or Ø150 mm. (External dimensions)
Cut-out dimension 870 x 325 mm.



The Aero hood can only be installed to suspended ceiling. The ceiling must be constructed to withstand a weight of **20kg**.



In case of placing the motor with front outlet take into account a rear distance of 75 mm.



It allows to rotate the fixings and avoid obstacles in the installation.

Versions

Dimensions (mm)	Finish	Aluminium Filters	LED Lights	Internal Motor	Ref.	Sonority		EE
						Pres. dBA min/max	Pow. dBA min/max	
900	S.Steel	3	4	R800GP	27531	30/52	33/56	A
900	White	3	4	R800GP	27532	30/52	33/56	A

H-Connect

Reference suitable with H-Connect hobs, allowing to control all the functions and features of the hood from a control located on the hob.



4 Directions Motor

It allows the extraction ducts to be installed in 4 direction, permitting ease of installation even in wall kitchens.



Dimmable LED Lighting

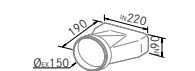
LED lighting with programmable intensity and colour regulation (from 3000K to 4000K).



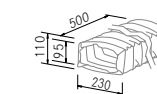
Technical Information

- Stainless Steel or White Lacquered Finish (RAL 9003).
- Compatible with H-Connect Hobs.
- Silence Motor R800GP.
- Deferred stop (LastTime).
- Dimmable LED Lighting.
- 3 Speeds + Booster.
- Optional recirculation.
- Perimetral aspiration.

Included Accessories



Flat to round adapter



Flexible ducting 50 cm.



Remote control

Optional Accessories

	Ref.
Plasma Filter C1000 + Drawer	90412
Plasma Filter C600 + Drawer	90410
Flat Plasma Filter F800	90373
R Drawer - Ceramic Cubes H2	90411
Grid for false ceilings	90375
Airsoft 2 Soundproofing duct (-4 dBA)	90310

Compatible ducting. See page 175.

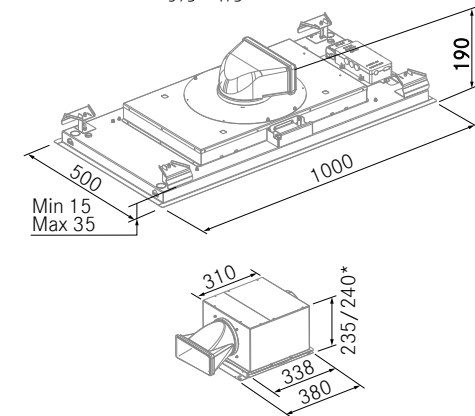
Meet - Ceiling Hoods

FRECAN



Technical design

Outlet 220 x 90 mm. (External dimensions)
Cut-out dimension 975 x 475 mm.



* Measure using the wall mounting feet



The Meet hood can only be installed to suspended ceiling.
The ceiling must be constructed to withstand a weight of **30kg**.

H-Connect

Reference suitable with H-Connect hobs, allowing to control all the functions and features of the hood from a control located on the hob.



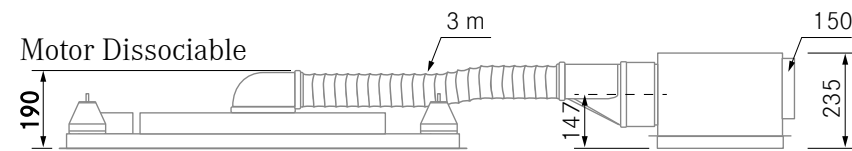
ST8 Motor - Dissociable

The Meet Model ST8 Motor allows its installation to be dissociated from the hood up to a recommended maximum of 3 meters.



Versions

Dimensions (mm)	Finish	Aluminium Filters	LED Lights	Internal Motor	Ref.	Sonority		EE
						Pres. dBA min/max	Pow. dBA min/max	
1000	S.Steel	3	4	ST8	27384	31/43	36/48	B
			Without Light	ST8	27276	31/43	36/48	A
1000	White	3	4	ST8	27385	31/43	36/48	B
			Without Light	ST8	27275	31/43	36/48	A



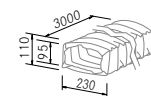
Technical Information

- Stainless Steel or White Lacquered Finish (RAL 9003).
- Compatible with H-Connect Hobs.
- Silence Motor ST8 Dissociable.
- Deferred stop (LastTime).
- LED Lighting (3000K).
- 3 Speeds + Booster.
- Optional recirculation.
- Perimetral aspiration.

Included Accessories



Remote control



Flexible ducting 3m.

Optional Accessories

	Ref.
Plasma Filter C1000 + Drawer	90412
Plasma Filter C600 + Drawer	90410
Flat Plasma Filter F800	90373
R Drawer - Ceramic Cubes H2	90411
Grid for false ceilings	90375
Airsoft 2 Soundproofing duct (-4 dBA)	90310

Compatible ducting. See page 175.

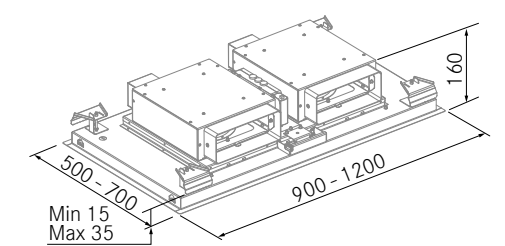
Nitro 2xR700 - Ceiling Hoods

FRECAN



Technical design

Outlet 220 x 90 mm. or Ø150 mm. (External dimensions)
Cut-out dimension 870 x 470 mm. / 1170 x 670 mm.



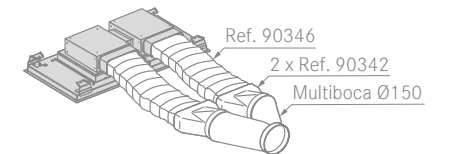
The Nitro hood can only be installed to suspended ceiling, the ceiling must be constructed to withstand a weight of **30/35kg**.

Versions

Dimensions (mm)	Finish	Aluminium Filters	LED Strips	Internal Motor	Ref.	Sonority		EE
						Pres. dBA min/max	Pow. dBA min/max	
900	S.Steel	3	2	2 x R700	27309	35/50	40/56	C
900	White	3	2	2 x R700	27310	35/50	40/56	C
1200	S.Steel	4	2	2 x R700	27311	36/51	40/56	C
1200	White	4	2	2 x R700	27312	36/51	40/56	C

Installation KIT Included

The SCL 2xR700 model is delivered with the basic installation kit included, it consists of the round Nozzle, a 1 m flexible tube (90346). And two flat to round adapters Ø150. (90342) See installation example.



H-Connect

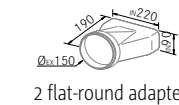
Reference suitable with H-Connect hobs, allowing to control all the functions and features of the hood from a control located on the hob.



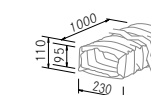
Technical Information

- Stainless Steel or White Lacquered Finish (RAL 9003).
- Compatible with H-Connect Hobs.
- 2 Silence Motors R700.
- Deferred stop (LastTime).
- LED Lighting with manual color selector on hood 2700k/4000k/5500k.
- 3 Speeds + Booster.
- Optional recirculation.
- Perimetral aspiration.

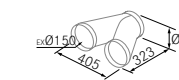
Included Accessories



2 flat-round adapters



Flexible ducting 100 cm.



Round Nozzle



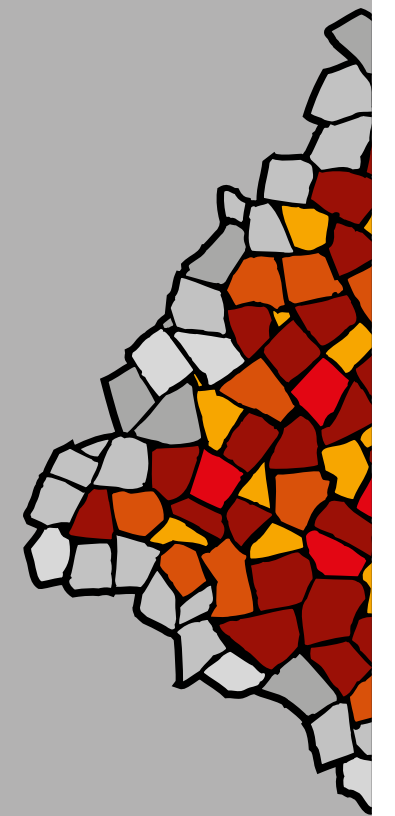
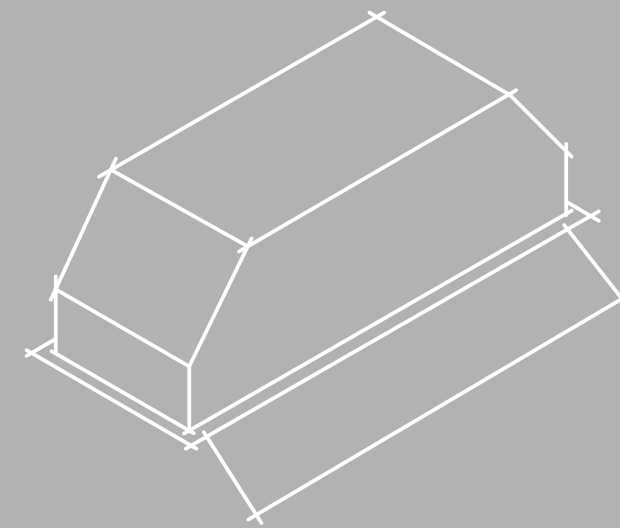
Remote control

Optional Accessories

	Ref.
Plasma Filter C1000 + Drawer	90412
Filtro de plasma C600 + Cajón	90410
Flat Plasma Filter F800	90373
R Drawer - Ceramic Cubes H2	90411
Grid for false ceilings	90375

Compatible ducting. See page 175.

Built-in Hoods



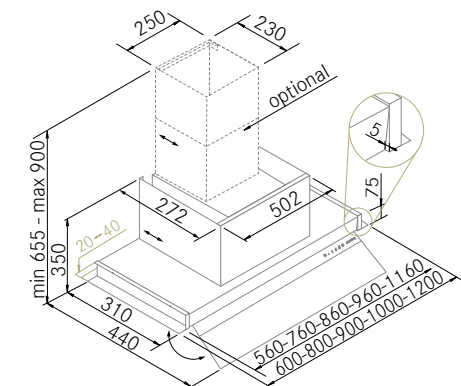
Hit - Built-in Hoods (Interfurniture)

FRECAN



Technical design

Outlet 150 mm.



* Depth adapter spacer Included. From 330 to 350 mm.
Optional top tube not suitable for cylindrical plasma and FC-Plus.



Versions

Dimensions (mm)	Finish	S/S Filters	LED Strips	Internal Motor	Ref.	Sonority		EE
						Pres. dBA min/max	Pow. dBA min/max	
600	S.Steel	1	1	VF700	27533	34/46	38/55	B
800	S.Steel	2	1	VF700	27534	34/48	38/56	A
				1100GP	27535	36/55	40/59	A+
900	S.Steel	2	1	VF700	27536	34/48	38/56	A
				1100GP	27537	36/55	40/59	A+
1000	S.Steel	2	1	VF700	27538	34/48	38/56	A
				1100GP	27539	36/55	40/59	A+
1200	S.Steel	3	2	VF700	27540	34/48	38/55	A
				1100GP	27541	36/54	40/58	A+

Dimensions (mm)	Finish	S/S Filters	LED Strips	Internal Motor	Ref.	Notes
800	S.Steel	2	1	Without Motor	27542	Complete with External Motors
900	S.Steel	2	1	Without Motor	27543	
1000	S.Steel	2	1	Without Motor	27544	
1200	S.Steel	3	2	Without Motor	27545	



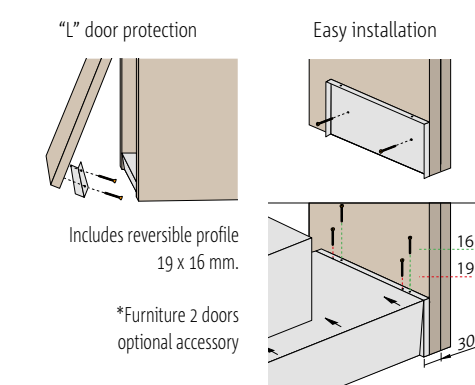
Technical Information

- S.Steel Finish with transparent glass visor.
- Silence Motors VF700 or 1100GP.
- Touch Control.
- Deferred stop (Last time).
- Saturation filters alarm.
- Dimmable LED lighting strips.
- 3 Speeds + Booster.
- Optional recirculation.

Optional Accessories

Accessory	Ref.
Cylindric Plasma filter C1000	90371
Cylindric Plasma filter C600	90372
Cylindric Plasma filter C500	90385
Carbon Filter FC-Plus	90381
Carbon Filter FC-Plus Mini	90369
Recirculation kit (with VF700)	90134
Decorative S/S tube with adjustable height	90221

Ducting pipes. See page 176.
"L" double door protection. See page 178.



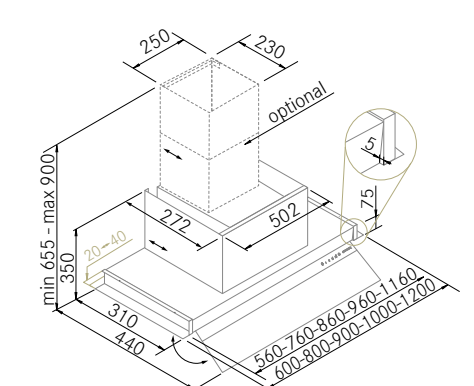
Hit Negra - Built-in Hoods (Interfurniture)

FRECAN



Technical design

Outlet 150 mm.



* Depth adapter spacer Included. From 330 to 350 mm.
Optional top tube not suitable for cylindrical plasma and FC-Plus.



Versions

Dimensions (mm)	Finish	S/S Filters	LED Strips	Internal Motor	Ref.	Sonority		EE
						Pres. dBA min/max	Pow. dBA min/max	
600	Black	1	1	VF700	27546	34/46	38/55	B
800	Black	2	1	VF700	27547	34/48	38/56	A
900	Black	2	1	VF700	27548	34/48	38/56	A
1000	Black	2	1	VF700	27549	34/48	38/56	A
1200	Black	3	2	VF700	27550	34/48	38/55	A



Technical Information

- Matt Black Finish with transparent glass visor.
- Silence Motor VF700.
- Touch Control.
- Deferred stop (Last time).
- Saturation filters alarm.
- Dimmable LED lighting strips.
- 3 Speeds + Booster.
- Optional recirculation.

Optional Accessories

Accessory	Ref.
Cylindric Plasma filter C600	90372
Cylindric Plasma filter C500	90385
Carbon Filter FC-Plus	90381
Carbon Filter FC-Plus Mini	90369
Recirculation kit	90134
Decorative black tube with adjustable height	90401

Ducting pipes. See page 176.
"L" double door protection. See page 178.

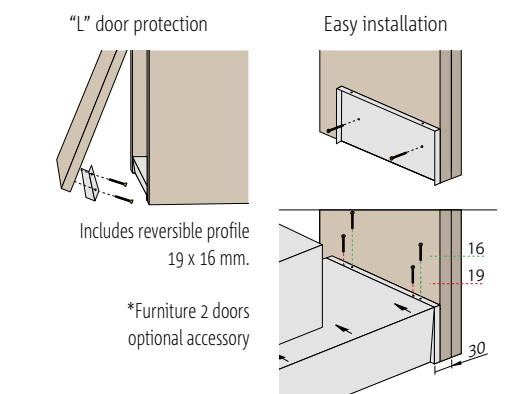
5 Dimensions

Available in 5 Dimensions to adapt to any need.



Dimmable LED Lighting

LED lighting with programmable intensity and colour regulation (from 3000K to 4000K).



Hit S- Built-in Hoods (Interfurniture)

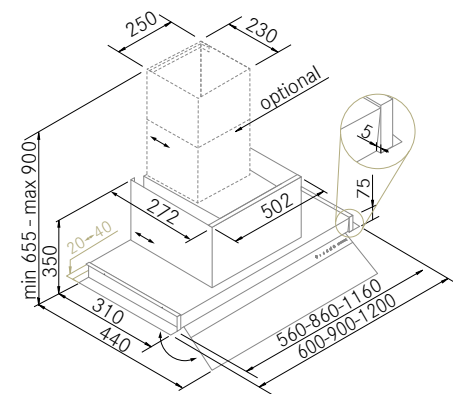
SILENCE



FRECAN

Technical design

Outlet 150 mm.



- Airsoft 1: 60 cm. Included.
- * Depth adapter spacer Included. From 330 to 350 mm.



Dimmable LED Lighting

LED lighting with programmable intensity and colour regulation (from 3000K to 4000K).



Airsoft 1 Included (-3 dBA)

The Hit ST8 model includes Airsoft 1, a soundproofing duct that reduces approximately 3 extra decibels over the data indicated on the hood.



Versions

Dimensions (mm)	Finish	Alu/S-S Filters	LED Strips	Internal Motor	Ref.	Sonority		EE
						Pres. dBA min/max	Pow. dBA min/max	
600	S.Steel	1	1	ST8	27551	31/44	37/53	A
900	S.Steel	2	1	ST8	27552	31/45	38/54	A
900	Black	2	1	ST8	27553	31/45	38/54	A
1200	S.Steel	3	2	ST8	27554	31/45	37/53	A



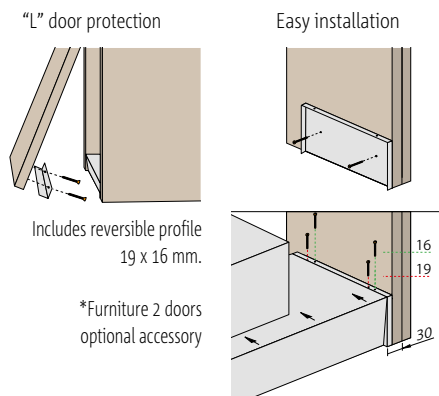
Technical Information

- Stainless Steel or black matt Finish with transparent glass visor.
- Matt Black Finish with transparent glass visor.
- Silence Motor ST8.
- Hood body & motor drawer finished in stainless steel or black.
- Armored motor drawer, security and easy cleaning panel.
- Soundproofed motor drawer with Fonotech.
- 60 cm AirSoft 1 silencer duct. (-3dBA).
- Touch Control keypad on the visor.
- Deferred stop (Last time).
- Saturation filters alarm.
- Dimmable LED lighting strips.
- 3 Speeds + Booster.

Optional Accessories

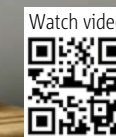
Decorative tube with adjustable height	Ref.
90221	

Ducting pipes. See page 176.
"L" double door protection. See page 178.



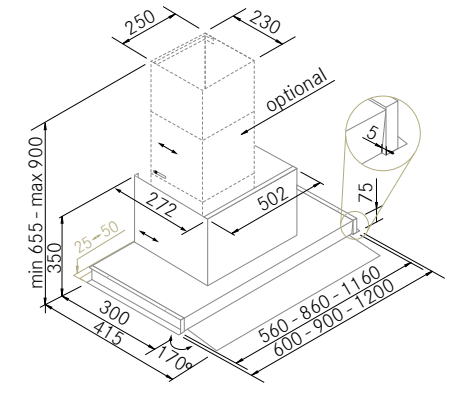
Vetro Klin - Built-in Hoods (Interfurniture)

FRECAN



Technical design

Outlet 150 mm.



- * Depth adapter spacer Included. From 325 to 350 mm.
- Optional top tube not suitable for cylindrical plasma and FC-Plus.



Interior finish in 100% stainless steel.
Optional extensible top chimney.



Versions

Dimensions (mm)	Finish	Alu/S-S Filters	LED Strips	Internal Motor	Ref.	Sonority		EE
						Pres. dBA min/max	Pow. dBA min/max	
600	S.Steel	1	1	VF700	27555	36/47	42/52	B
900	S.Steel	2	1	VF700	27556	36/48	42/52	B
1200	S.Steel	3	2	VF700	27557	36/48	42/52	B



Technical Information

- Stainless Steel Finish.
- Grey glass visor.
- Compatible with H-Connect Hobs.
- Silence Motor VF700.
- Remote control Included.
- Electronic Control.
- Deferred stop (Last time).
- Saturation filters alarm.
- Dimmable LED Lighting.
- 3 Speeds + Booster.
- Optional recirculation.

Optional Accessories

Cylindric Plasma filter C600	Ref.
90372	
Cylindric Plasma filter C500	90385
Carbon Filter FC-Plus	90381
Carbon Filter FC-Plus Mini	90369
Recirculation kit	90134
Decorative S/S tube with adjustable height	90221
Airsoft 1 Soundproofing duct (-3 dBA)	90182

Ducting pipes. See page 176.
"L" double door protection. See page 178.

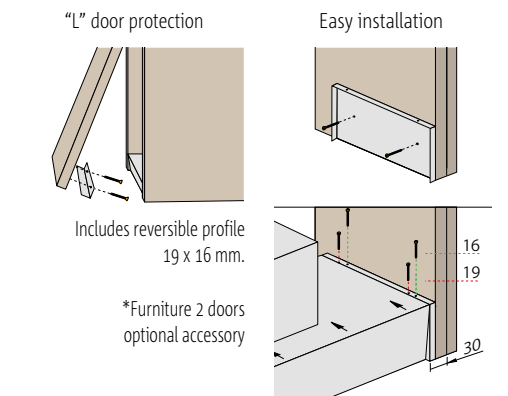
H-Connect

Reference suitable with H-Connect hobs, allowing to control all the functions and features of the hood from a control located on the hob.



Dimmable LED Lighting

LED lighting with programmable intensity and colour regulation (from 3000K to 4000K).



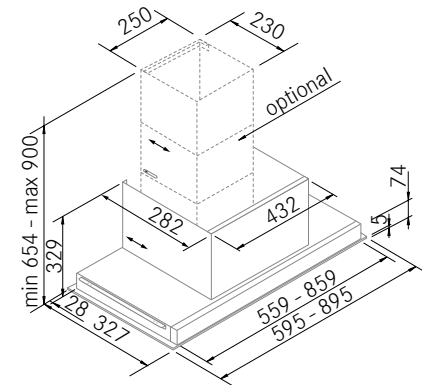
GA Glass II - Built-in Hoods (Interfurniture)

FRECAN

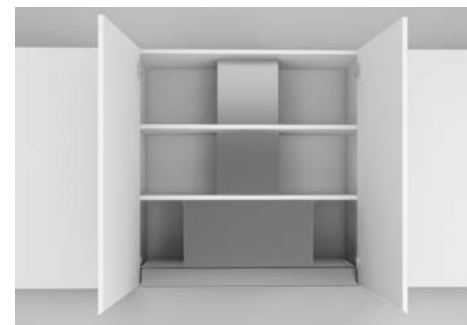


Technical design

Outlet 150 mm.



Optional top tube not suitable for cylindrical plasma and FC-Plus.



Interior finish in 100% stainless steel.
Optional extensible top chimney.

Dimmable LED Lighting

LED lighting with programmable intensity and colour regulation (from 3000K to 4000K).



Versions

Dimensions (mm)	Finish	Aluminium Filters	LED Strips	Internal Motor	Ref.	Sonority		EE
						Pres. dBA min/max	Pow. dBA min/max	
600	White	1	1	VF700	27558	36/47	42/51	A
900	White	2	1	VF700	27559	36/47	42/51	B



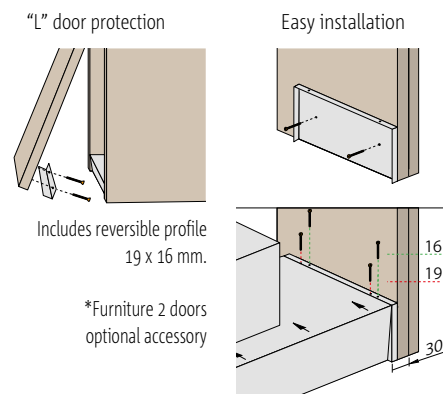
Technical Information

- White Glass Finish.
- Interior finish in Stainless Steel.
- Silence Motor VF700.
- Body and motor drawer cover finished in stainless steel.
- Touch Control.
- Deferred stop (Last time).
- Saturation filters alarm.
- Dimmable LED lighting strips.
- 3 Speeds + Booster.
- Optional recirculation.
- Perimetral aspiration.

Optional Accessories

	Ref.
Cylindric Plasma filter C600	90372
Cylindric Plasma filter C500	90385
Carbon Filter FC-Plus	90381
Carbon Filter FC-Plus Mini	90369
Recirculation kit	90258
Decorative S/S tube with adjustable height	90221
Airsoft 1 Soundproofing duct (-3 dBA)	90182

Ducting pipes. See page 176.
"L" double door protection. See page 178.



*Furniture 2 doors optional accessory

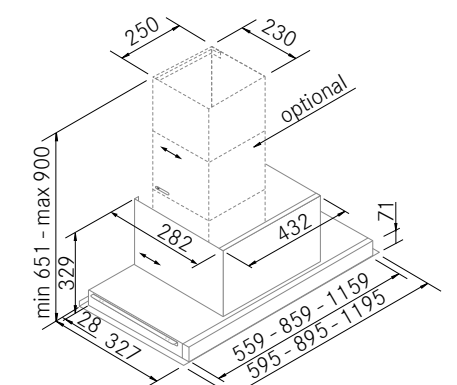
GA Perimetral - Built-in Hoods (Interfurniture)

FRECAN

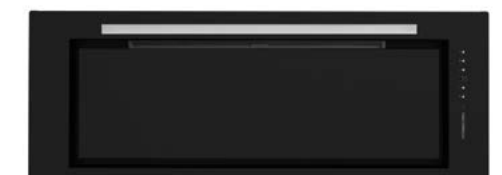


Technical design

Outlet 150 mm.



Optional top tube not suitable for cylindrical plasma and FC-Plus.



Interior finish in 100% stainless steel.
Optional extensible top chimney.

Versions

Dimensions (mm)	Finish	Aluminium Filters	LED Strips	Internal Motor	Ref.	Sonority		EE
						Pres. dBA min/max	Pow. dBA min/max	
600	S.Steel	1	1	VF700	27560	36/48	42/52	A
900	S.Steel	2	1	VF700	27561	36/48	42/52	A
900	Black	2	1	VF700	27562	36/48	42/52	A
1200	S.Steel	4	2	1100GP	27563	35/56	41/60	A+



Technical Information

- Stainless Steel or black matt Finish. (RAL 9005).
- Compatible with H-Connect Hobs.
- Silence Motors VF700 or 1100GP.
- Remote control Included.
- Electronic Control.
- Deferred stop (Last time).
- Saturation filters alarm.
- Dimmable LED lighting strips.
- 3 Speeds + Booster.
- Optional recirculation.
- Perimetral aspiration.

Optional Accessories

	Ref.
Cylindric Plasma filter C600	90372
Cylindric Plasma filter C500	90385
Carbon Filter FC-Plus	90381
Carbon Filter FC-Plus Mini	90369
Recirculation kit	90258
Decorative S/S tube with adjustable height	90221
Airsoft 1 Soundproofing duct (-3 dBA)	90182

Ducting pipes. See page 176.
"L" double door protection. See page 178.
Wall spacers See page 178.

H-Connect

Reference suitable with H-Connect hobs, allowing to control all the functions and features of the hood from a control located on the hob.



Dimmable LED Lighting

LED lighting with programmable intensity and colour regulation (from 3000K to 4000K).



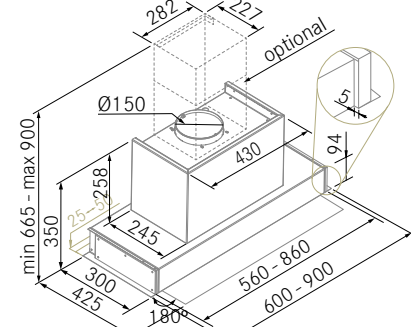
Tersa - Built-in Hoods (Interfurniture)

FRECAN



Technical design

Outlet 150 mm.

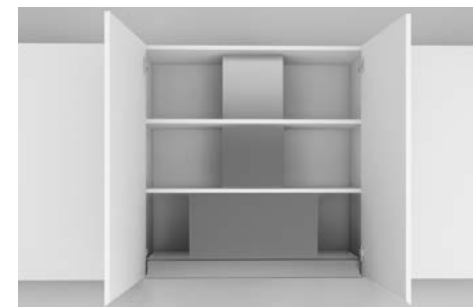


* Depth adapter spacer Included. From 325 to 350 mm.
Optional top tube not suitable for cylindrical plasma and FC-Plus.



Frameless LED lights

New aesthetics of LED Lights without frame more elegants.



Interior finish in 100% stainless steel.

H-Connect

Reference suitable with H-Connect hobs, allowing to control all the functions and features of the hood from a control located on the hob.



Dimmable LED Lighting

LED lighting with programmable intensity and colour regulation (from 3000K to 4000K).



Versions

Dimensions (mm)	Finish	S/S Filters	LED Lights	Internal Motor	Ref.	Sonority		
						Pres. dBA min/max	Pow. dBA min/max	EE
600	S.Steel	2	2	VF700	27401	37/50	43/54	A
900	S.Steel	3	2	VF700	27402	37/50	43/54	A



Technical Information

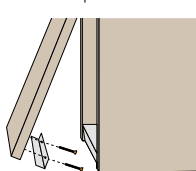
- Stainless Steel Finish.
- Transparent Glass Visor.
- Silence Motor VF700.
- Remote control Included.
- Electronic Control.
- Deferred stop (LastTime).
- Saturation filters alarm.
- Dimmable LED Lightings.
- 3 Speeds + Booster.
- Optional recirculation.
- Perimetral aspiration.

Optional Accessories

Accessories	Ref.
Cylindric Plasma filter C600	90372
Cylindric Plasma filter C500	90385
Carbon Filter FC-Plus	90381
Carbon Filter FC-Plus Mini	90369
Recirculation kit	90134
Decorative S/S tube with adjustable height	90418
Airsoft 1 Soundproofing duct (-3 dBA)	90182

Ducting pipes. See page 176.
"L" double door protection. See page 178.

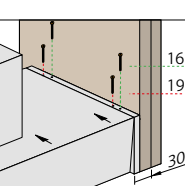
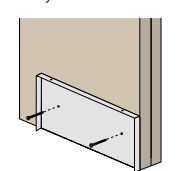
"L" door protection



Includes reversible profile 19 x 16 mm.

*Furniture 2 doors optional accessory

Easy installation



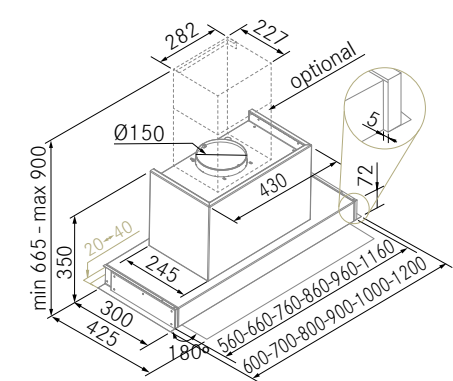
Note - Built-in Hoods (Interfurniture)

FRECAN



Technical design

Outlet 150 mm.



* Depth adapter spacer Included. From 325 to 350 mm.
Optional top tube not suitable for cylindrical plasma and FC-Plus.



Frameless LED lights

New aesthetics of LED Lights without frame more elegants.



Interior finish in 100% stainless steel.
Optional extensible top chimney.

6 Dimensions

Built-in model with widest range of sizes on the market.



H-Connect

Reference suitable with H-Connect hobs, allowing to control all the functions and features of the hood from a control located on the hob.



Dimmable LED Lighting

LED lighting with programmable intensity and colour regulation (from 3000K to 4000K).



Versions

Dimensions (mm)	Finish	S/S Filters	LED Lights	Internal Motor	Ref.	Sonority		
						Pres. dBA min/max	Pow. dBA min/max	EE
600	S.Steel	2	2	VF700	27567	36/48	39/51	A
700	S.Steel	3	2	VF700	27568	36/48	39/51	A
800	S.Steel	3	2	VF700	27569	37/49	41/53	A
900	S.Steel	4	2	VF700	27570	37/49	41/53	A
900	Black	4	2	VF700	27571	37/49	41/53	A
1000	S.Steel	4	2	VF700	27572	37/49	41/53	A
1200	S.Steel	5	2	VF700	27573	37/47	41/51	A



Technical Information

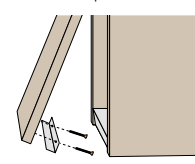
- Stainless Steel or black matt Finish. (RAL 9005).
- Transparent Glass Visor.
- Compatible with H-Connect Hobs.
- Silence Motor VF700.
- Remote control Included.
- Electronic Control.
- Deferred stop (Last time).
- Saturation filters alarm.
- Dimmable LED Lighting.
- 3 Speeds + Booster.
- Optional recirculation.

Optional Accessories

Accessories	Ref.
Cylindric Plasma filter C600	90372
Cylindric Plasma filter C500	90385
Carbon Filter FC-Plus	90381
Carbon Filter FC-Plus Mini	90369
Recirculation kit	90134
Decorative S/S tube with adjustable height	90418
Airsoft 1 Soundproofing duct (-3 dBA)	90182

Ducting pipes. See page 176.
"L" double door protection. See page 178.

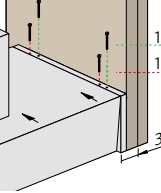
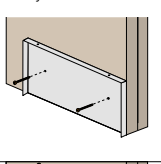
"L" door protection



Includes reversible profile 19 x 16 mm.

*Furniture 2 doors optional accessory

Easy installation



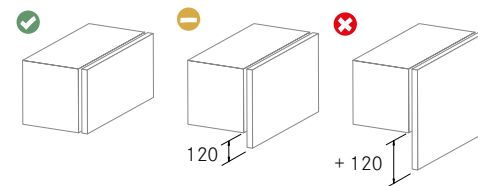
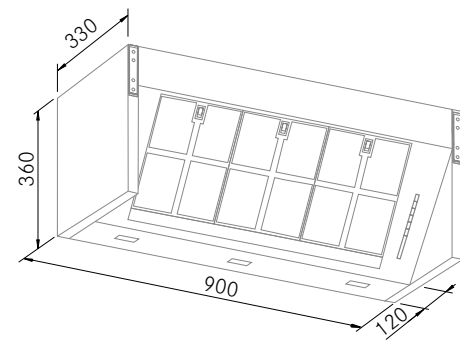
Integratta - Built-in Hoods (Interfurniture)

FRECAN

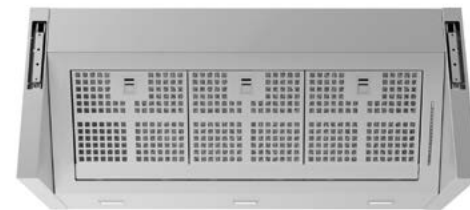


Technical design

Outlet 150 mm.



The door hinges are defined for the weight of a standard door, not to exceed its height by more than 12 cm. high.



Admit superior furniture.



Electronic Control ultrafine

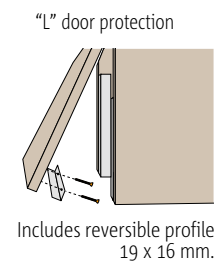
External Motors

	Ref.
Intermediate Motor - IL1300EC - ø200	90406
Intermediate Motor - IL2200EC - ø200	90405
Wall Motor - PA1200EC - ø200	90407
Roof Motor - TJ2000EC - ø200	90409
Roof Motor - TJ2500EC - ø200	90408

More information Page 181.

Dimmable LED Lighting

LED lighting with programmable intensity and colour regulation (from 3000K to 4000K).



Includes reversible profile 19 x 16 mm.

Versions

Dimensions (mm)	Finish	S/S Filters	LED Lights	Internal Motor	Ref.	Sonority		EE
						Pres. dBA min/max	Pow. dBA min/max	
900	S.Steel	3	3	VF700	27574	34/46	39/49	A
				1100GP	27575	36/48	40/53	A++

900	S.Steel	3	3	Without Motor	27576	Complete with External Motors		
-----	---------	---	---	---------------	-------	--------------------------------------	--	--



Technical Information

- Stainless Steel Finish.
- Silence Motors VF700 and 1100GP.
- Electronic Control.
- Deferred stop (Last time).
- Saturation filters alarm.
- Dimmable LED Lighting.
- Easy Clean.
- 3 Speeds + Booster.
- Oil recycling tray Included.
- Blum hinges.
- Allows rear exit.
- Optional recirculation.

Optional Accessories

	Ref.
Cylindric Plasma filter C1000	90371
Cylindric Plasma filter C600	90372
Cylindric Plasma filter C500	90385
Carbon Filter FC-Plus	90381
Carbon Filter FC-Plus Mini	90369
Recirculation kit (with VF700)	90134
Airsoft 1 Soundproofing duct (-3 dBA)	90182

Ducting pipes. See page 176.
"L" double door protection. See page 178.

Integratta S - Built-in Hoods (Interfurniture)

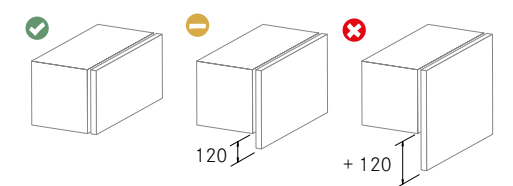
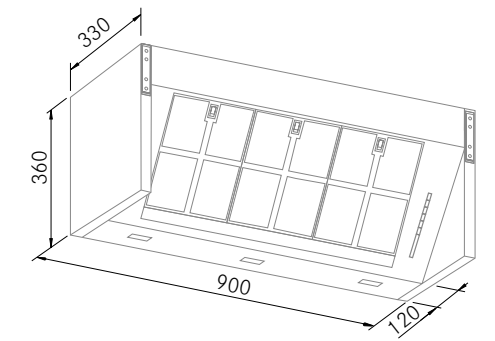
FRECAN

SILENCE

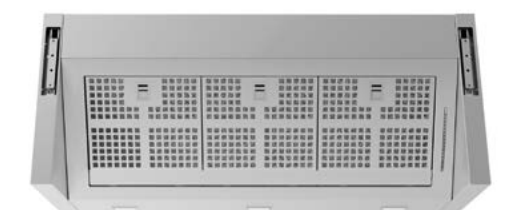


Technical design

Outlet 150 mm.



The door hinges are defined for the weight of a standard door, not to exceed its height by more than 12 cm. high.



Admit superior furniture.



Electronic Control ultrafine

Versions

Dimensions (mm)	Finish	S/S Filters	LED Lights	Internal Motor	Ref.	Sonority		EE
						Pres. dBA min/max	Pow. dBA min/max	
900	S.Steel	3	3	ST8	27577	32/42	37/47	A+

External Motors

	Ref.
Intermediate Motor - IL1300EC - ø200	90406
Intermediate Motor - IL2200EC - ø200	90405
Wall Motor - PA1200EC - ø200	90407
Roof Motor - TJ2000EC - ø200	90409
Roof Motor - TJ2500EC - ø200	90408



Technical Information

- Stainless Steel Finish.
- Silence Motor ST8.
- 60 cm AirSoft 1 silencer duct. (-3dBA).
- Electronic Control.
- Deferred stop (Last time).
- Saturation filters alarm.
- Dimmable LED Lighting.
- Easy Clean.
- 3 Speeds + Booster.
- Oil recycling tray Included.
- Blum hinges.
- Allows rear exit.

Optional Accessories

Ducting pipes. See page 178.

Airsoft 1 Included (-3 dBA)

The Integratta ST8 model includes Airsoft 1, a soundproofing duct that reduces approximately 3 extra decibels over the data indicated on the hood.

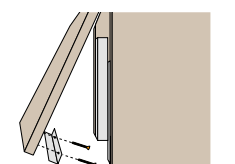


Dimmable LED Lighting

LED lighting with programmable intensity and colour regulation (from 3000K to 4000K).



"L" door protection



Includes reversible profile 19 x 16 mm.

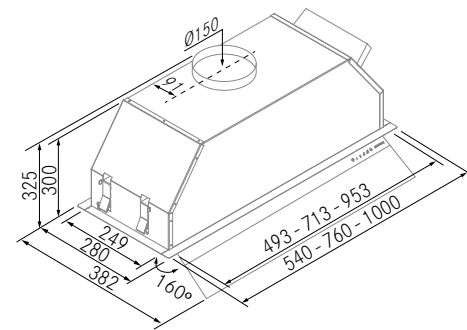
Feel - Built-in Hoods (Cut-out)



FRECAN

Technical design

Outlet 150 mm.
Cut-out: 497 x 259 mm. - 730 x 259 mm. - 970 x 259 mm.



Touch Control in visor.



Versions

Dimensions (mm)	Finish	S/S Filters	LED Strips	Internal Motor	Ref.	Sonority		EE
						Pres. dBA min/max	Pow. dBA min/max	
540	S.Steel	1	1	VF700	27578	33/47	36/52	A
760	S.Steel	2	1	VF700	27579	32/48	35/54	A
				1100GP	27580	31/55	34/59	A
1000	S.Steel	3	1	VF700	27581	32/48	35/54	A
				1100GP	27582	31/55	34/60	A+

Dimensions (mm)	Finish	S/S Filters	LED Strips	Internal Motor	Ref.	Complete with External Motors
760	S.Steel	2	1	Without Motor	27583	Yes
1000	S.Steel	3	1	Without Motor	27584	Yes

External Motors

External Motors	Ref.
Intermediate Motor - IL1300EC - Ø200	90406
Intermediate Motor - IL2200EC - Ø200	90405
Wall Motor - PA1200EC - Ø200	90407
Roof Motor - TJ2000EC - Ø200	90409
Roof Motor - TJ2500EC - Ø200	90408

More information Page 181.

Dimmable LED Lighting

LED lighting with programmable intensity and colour regulation (from 3000K to 4000K).



Technical Information

- Stainless Steel Finish.
- Transparent Glass Visor.
- Silence Motor VF700 or 1100GP.
- Touch Control.
- Deferred stop (Last time).
- Saturation filters alarm.
- Dimmable LED lighting strips.
- Easy Clean.
- 3 Speeds + Booster.
- Optional recirculation.

Optional Accessories

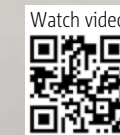
Optional Accessories	Ref.
Cylindric Plasma filter C1000	90371
Cylindric Plasma filter C600	90372
Cylindric Plasma filter C500	90385
Carbon Filter FC-Plus	90381
Carbon Filter FC-Plus Mini	90369
Recirculation kit (with VF700)	90134
Airsoft 1 Soundproofing duct (-3 dBA)	90182

Ducting pipes. See page 176.
"L" double door protection. See page 178.



Feel S - Built-in Hoods (Cut-out)

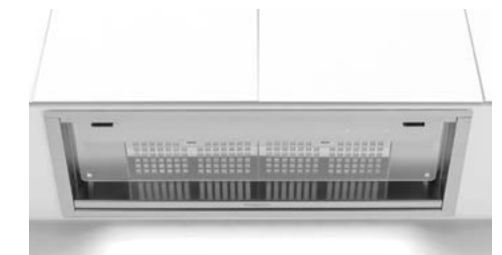
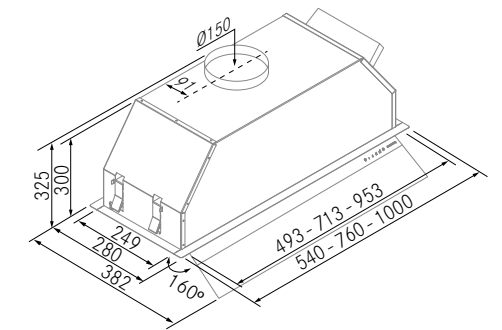
SILENCE



FRECAN

Technical design

Outlet 150 mm.
Cut-out: 497 x 259 mm. - 730 x 259 mm. - 970 x 259 mm.



Touch Control in visor.



Versions

Dimensions (mm)	Finish	S/S Filters	LED Strips	Internal Motor	Ref.	Sonority		EE
						Pres. dBA min/max	Pow. dBA min/max	
540	S.Steel	1	1	ST8	27585	31/46	34/51	A
760	S.Steel	2	1	ST8	27586	31/46	34/52	A
1000	S.Steel	3	1	ST8	27587	32/47	35/53	A+

Airsoft 1 Included (-3 dBA)

The Feel ST8 model includes Airsoft 1, a soundproofing duct that reduces approximately 3 extra decibels over the data indicated on the hood.



Dimmable LED Lighting

LED lighting with programmable intensity and colour regulation (from 3000K to 4000K).



Technical Information

- Stainless Steel Finish.
- Transparent Glass Visor.
- Silence Motor ST8.
- 60 cm AirSoft 1 silencer duct. (-3dBA).
- Touch Control.
- Deferred stop (Last time).
- Saturation filters alarm.
- Dimmable LED lighting strips.
- Easy Clean.
- 3 Speeds + Booster.

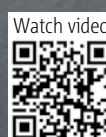
Optional Accessories

Ducting pipes. See page 178.



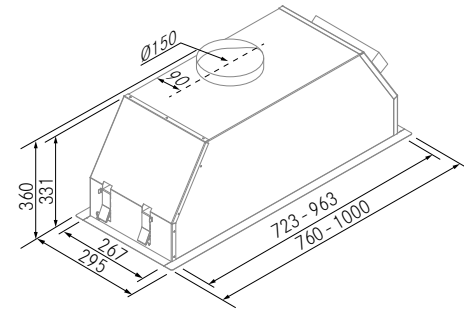
Vigor Prof - Built-in Hoods (Cut-out)

FRECAN



Technical design

Outlet 150 mm.
Cut-out 735 x 280 mm. - 975 x 280 mm.



H-Connect

Reference suitable with H-Connect hobs, allowing to control all the functions and features of the hood from a control located on the hob.



Prof Labyrinth Filters

This technology guarantees maximum absorption by increasing hood's performance and allowing the collection of fats and oils.



External Motors

	Ref.
Intermediate Motor - IL1300EC - Ø200	90406
Intermediate Motor - IL2200EC - Ø200	90405
Wall Motor - PA1200EC - Ø200	90407
Roof Motor - TJ2000EC - Ø200	90409
Roof Motor - TJ2500EC - Ø200	90408

More information Page 181.

Dimmable LED Lighting

LED lighting with programmable intensity and colour regulation (from 3000K to 4000K).



Versions

Dimensions (mm)	Finish	Prof Filters	LED Strips	Internal Motor	Ref.	Sonority		EE
						Pres. dBA min/max	Pow. dBA min/max	
760	S.Steel	2	1	1100GP	27588	33/53	37/57	A
1000	S.Steel	3	1	1100GP	27589	33/53	38/58	A+

Dimensions (mm)	Finish	Prof Filters	LED Strips	Without Motor	Ref.	Complete with External Motors
760	S.Steel	2	1	Without Motor	27590	
1000	S.Steel	3	1	Without Motor	27591	



Technical Information

- Stainless Steel Finish.
- Compatible with H-Connect Hobs.
- Silence Motor 1100GP.
- Remote control Included.
- Electronic Control.
- Deferred stop (Last time).
- Saturation filters alarm.
- Dimmable LED lighting strips.
- Prof Labyrinth Filters.
- 3 Speeds + Booster.
- Optional recirculation.
- Oil collection tray.

Optional Accessories

	Ref.
Cylindric Plasma filter C1000	90371
Carbon Filter FC-Plus	90381
Airsoft 1 Soundproofing duct (-3 dBA)	90182

Ducting pipes. See page 178.

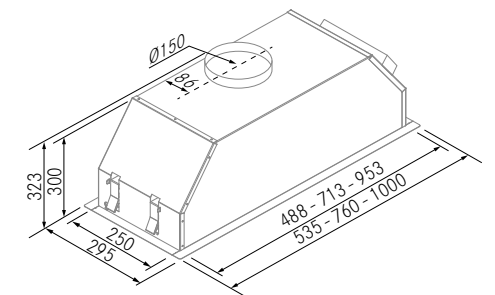
GA Filo - Built-in Hoods (Cut-out)

FRECAN



Technical design

Outlet 150 mm.
Cut-out 497 x 259 mm. - 730 x 259 mm. - 970 x 259 mm.



Versions

Dimensions (mm)	Finish	Aluminium Filters	LED Lights	Internal Motor	Ref.	Sonority		EE
						Pres. dBA min/max	Pow. dBA min/max	
535	S.Steel	2	2	VF700	27592	33/48	37/52	B
760	S.Steel	3	2	VF700	27593	33/46	37/54	A
				1100GP	27594	38/56	42/61	A+
1000	S.Steel	4	2	VF700	27595	34/46	38/54	A
				1100GP	27596	38/57	42/62	A++



Technical Information

- Stainless Steel Finish.
- Compatible with H-Connect Hobs.
- Silence Motors VF700 or 1100GP.
- Remote control Included.
- Electronic Control.
- Deferred stop (Last time).
- Saturation filters alarm.
- Dimmable LED Lighting.
- 3 Speeds + Booster.
- Optional recirculation.

Optional Accessories

	Ref.
Cylindric Plasma filter C1000	90371
Cylindric Plasma filter C600	90372
Cylindric Plasma filter C500	90385
Carbon Filter FC-Plus	90381
Carbon Filter FC-Plus Mini	90369
Recirculation kit (with VF700)	90134
Airsoft 1 Soundproofing duct (-3 dBA)	90182

Ducting pipes. See page 178.

H-Connect

Reference suitable with H-Connect hobs, allowing to control all the functions and features of the hood from a control located on the hob.



Dimmable LED Lighting

LED lighting with programmable intensity and colour regulation (from 3000K to 4000K).

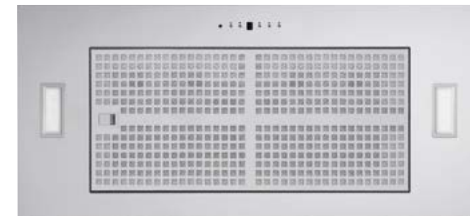
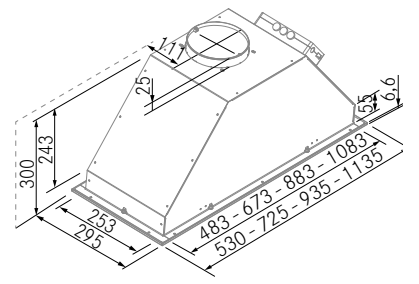


GA - Built-in Hoods (Cut-out)

FRECAN



Technical design
 Outlet 150 mm.
 Cut-out: 497x267mm. - 697x267mm. - 897x267mm. - 1097x267mm.



Versions

Dimensions (mm)	Finish	S/S Filters	LED Lights	Internal Motor	Ref.	Sonority		EE
						Pres. dBA min/max	Pow. dBA min/max	
530	S.Steel	1	2	VF700	27597	35/47	38/54	B
725	S.Steel	1	2	VF700	27598	33/46	37/54	A
935	S.Steel	2	3	VF700	27599	33/46	37/54	A
				1100GP	27600	38/57	42/61	A++
1135	S.Steel	2	3	1100GP	27601	38/57	42/61	A++

H-Connect

Reference suitable with H-Connect hobs, allowing to control all the functions and features of the hood from a control located on the hob.



Dimmable LED Lighting

LED lighting with programmable intensity and colour regulation (from 3000K to 4000K).



Technical Information

- Compatible with H-Connect Hobs.
- Silence Motors VF700 or 1100GP.
- Remote control Included.
- Electronic Control.
- Deferred stop (Last time).
- Saturation filters alarm.
- Dimmable LED Lighting.
- 3 Speeds + Booster.
- Optional recirculation.

Optional Accessories

Optional Accessories	Ref.
Cylindric Plasma filter C1000	90371
Cylindric Plasma filter C600	90372
Cylindric Plasma filter C500	90385
Carbon Filter FC-Plus	90381
Carbon Filter FC-Plus Mini	90369
Recirculation kit (with VF700)	90134
Airsoft 1 Soundproofing duct (-3 dBA)	90182

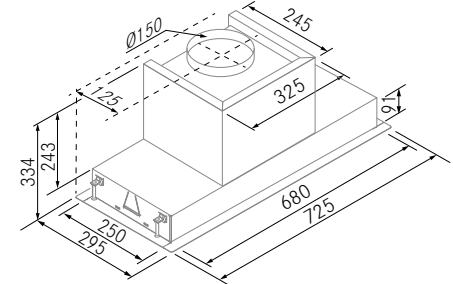
Ducting pipes. See page 178.

Quo - Built-in Hoods (Hood encastré)

FRECAN



Technical design
 Outlet 150 mm.
 Cut-out: 690 x 260 mm.



Interior finish in 100% Stainless steel or matt black furniture. No need to cash in. More space saving in furniture.

Versions

Dimensions (mm)	Finish	Aluminium Filters	LED Lights	Internal Motor	Ref.	Sonority		EE
						Pres. dBA min/max	Pow. dBA min/max	
725	S.Steel	2	2	VF700	27603	37/49	40/53	B
725	Black Matt	2	2	VF700	27604	37/49	40/53	B



Technical Information

- Stainless Steel or black matt Finish. (RAL 9005).
- Compatible with H-Connect Hobs.
- Silence Motor VF700.
- Remote control Included.
- Electronic Control.
- Deferred stop (Last time).
- Saturation filters alarm.
- Dimmable LED Lighting.
- 3 Speeds + Booster.
- Optional recirculation.
- Perimetral aspiration.

Optional Accessories

Optional Accessories	Ref.
Cylindric Plasma filter C600	90372
Cylindric Plasma filter C500	90385
Carbon Filter FC-Plus	90381
Carbon Filter FC-Plus Mini	90369
Recirculation kit	90134
Airsoft 1 Soundproofing duct (-3 dBA)	90182

Ducting pipes. See page 178.

H-Connect

Reference suitable with H-Connect hobs, allowing to control all the functions and features of the hood from a control located on the hob.



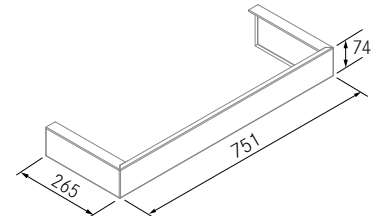
Dimmable LED Lighting

LED lighting with programmable intensity and colour regulation (from 3000K to 4000K).



Trim

The Quo model now adds a trim with the same hood finishing to hide the fastenings of the hood and easing its cleaning. No need to panel Hoods' structure body part. More space savings in furniture.



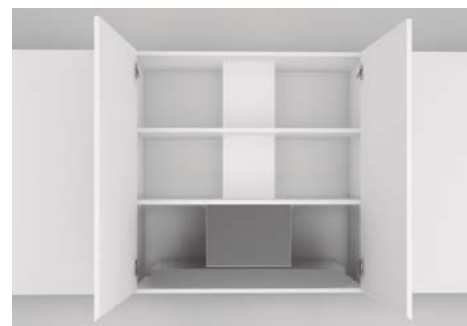
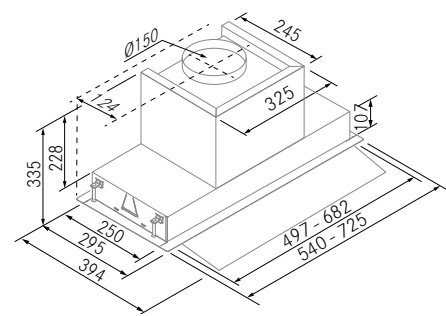
Soul - Built-in Hoods (Cut-out)

FRECAN



Technical design

Outlet 150 mm.
Cut-out: 505 x 260 - 690 x 260 mm.



Interior finish in 100% stainless steel.
No need to cash in. More space saving in furniture.

H-Connect

Reference suitable with H-Connect hobs, allowing to control all the functions and features of the hood from a control located on the hob.



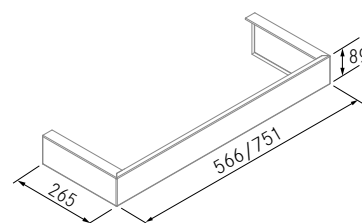
Dimmable LED Lighting

LED lighting with programmable intensity and colour regulation (from 3000K to 4000K).



Trim

The Soul model now adds a trim with the same hood finishing to hide the fastenings of the hood and easing its cleaning. No need to panel Hoods' structure body part. More space savings in furniture.



Versions

Dimensions (mm)	Finish	S/S Filters	LED Lights	Internal Motor	Ref.	Sonority		EE
						Pres. dBA min/max	Pow. dBA min/max	
540	S.Steel	1	2	VF700	27605	36/50	41/54	B
725	S.Steel	2	2	VF700	27606	36/49	40/53	A



Technical Information

- Stainless Steel Finish.
- Transparent Glass Visor.
- Compatible with H-Connect Hobs.
- Silence Motor VF700.
- Remote control Included.
- Electronic Control.
- Deferred stop (Last time).
- Saturation filters alarm.
- Dimmable LED Lighting.
- 3 Speeds + Booster.
- Optional recirculation.

Optional Accessories

	Ref.
Cylindric Plasma filter C600	90372
Cylindric Plasma filter C500	90385
Carbon Filter FC-Plus	90381
Carbon Filter FC-Plus Mini	90369
Recirculation kit	90134
Airsoft 1 Soundproofing duct (-3 dBA)	90182

Ducting pipes. See page 178.

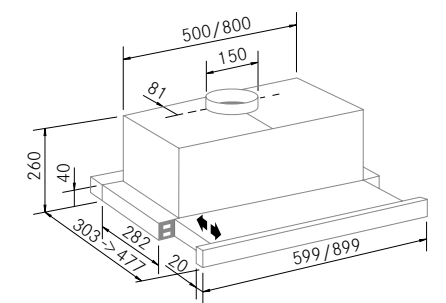
DF HC - Built-in Hoods (Telescopic)

FRECAN



Technical design

Outlet 150 mm.



Versions

Dimensions (mm)	Finish	S/S Filters	LED Lights	Internal Motor	Ref.	Sonority		EE
						Pres. dBA min/max	Pow. dBA min/max	
600	S.Steel	2	2	V650	26192	49/63	55/70	A+
900	S.Steel	4	2	V650	26193	43/63	49/70	A



Technical Information

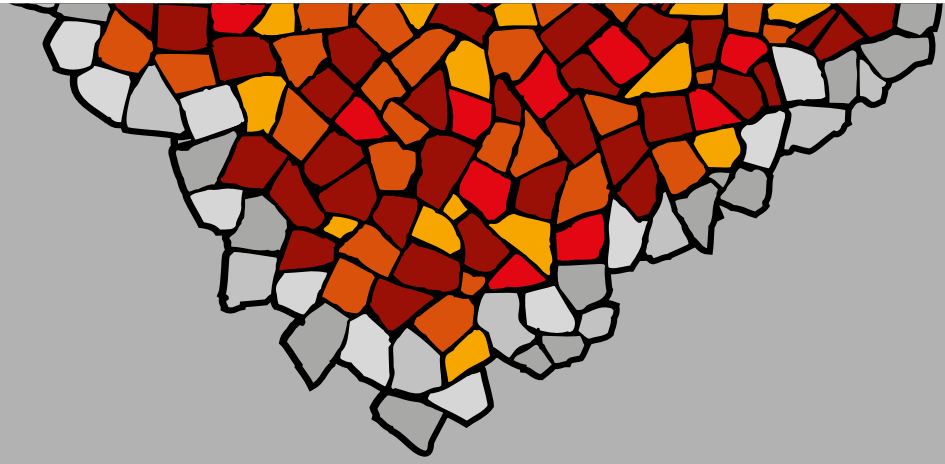
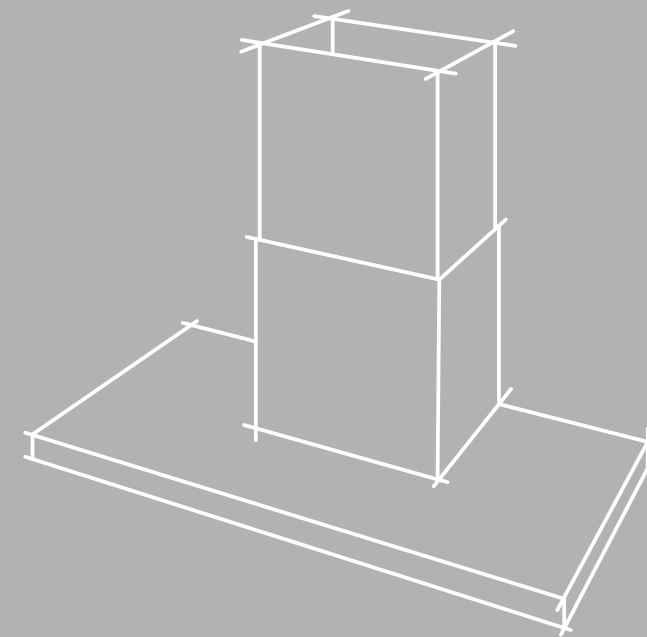
- Stainless Steel Finish.
- Motor V650.
- LED Lighting (3000K).
- 3 Speeds.
- Optional recirculation.
- Includes furniture spacer.
- 320 and 350 full depth (with door).

Optional Accessories

	Ref.
Cylindric Plasma filter C600	90372
Cylindric Plasma filter C500	90385
Carbon Filter FC-Plus	90381
Carbon Filter FC-Plus Mini	90369
Activated Carbon Filter DF HC	90172
Airsoft 1 Soundproofing duct (-3 dBA)	90229

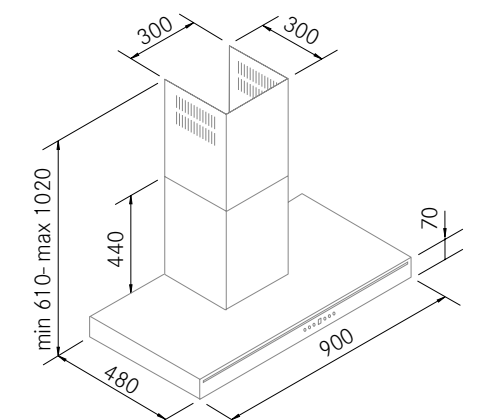
Ducting pipes. See page 178.

Wall Hoods

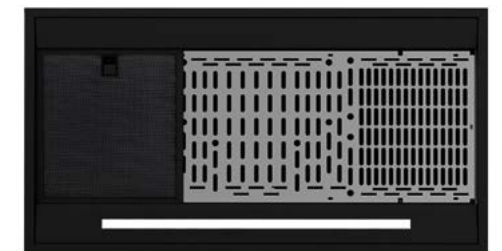




Technical design
Outlet 150 mm.



Balanced Aspiration System.



Black lacquered Aluminium filters.

Versions

Dimensions (mm)	Finish	Black Filters	LED Strips	Internal Motor	Ref.	Sonority		EE
						Pres. dBA min/max	Pow. dBA min/max	
900	Black	3	2	VF700	27607	36/50	40/55	B

H-Connect

Reference suitable with H-Connect hobs, allowing to control all the functions and features of the hood from a control located on the hob.



Dimmable LED Lighting

LED lighting with programmable intensity and colour regulation (from 3000K to 4000K).



- H-Connect
- Remote
- Motor-Silence
- Electronic C.
- Last-time
- FSA
- Dimmable LED
- B/W Filters
- BA system Bal. Asp.
- Easy Clean

Technical Information

- Black Lacquered Finish. (RAL 9005).
- Compatible with H-Connect Hobs.
- Silence Motor VF700.
- Isolated motor with sound absorbing material.
- Electronic Control.
- Deferred stop (Last time).
- Saturation filters alarm.
- Dimmable LED lighting strips.
- Black lacquered Aluminium filters.
- A.C. System (balanced aspiration).
- 3 Speeds + Booster.
- Optional recirculation.

Optional Accessories

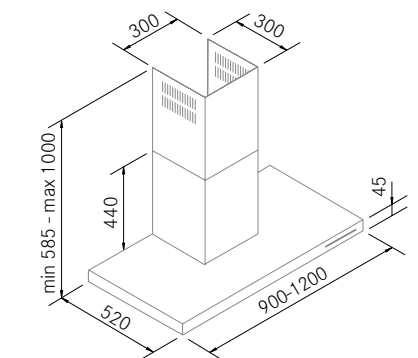
	Ref.
Cylindric Plasma filter C1000*	90371
* Acc. Required for Plasma C1000 installation	90198
Cylindric Plasma filter C600	90372
Carbon Filter FC-Plus	90381
Recirculation kit	90133
Airsoft 1 Soundproofing duct (-3 dBA)	90182

*Ducting pipes. See page 176.
Top tube extensions. See page 178.*





Technical design
Outlet 150 mm.



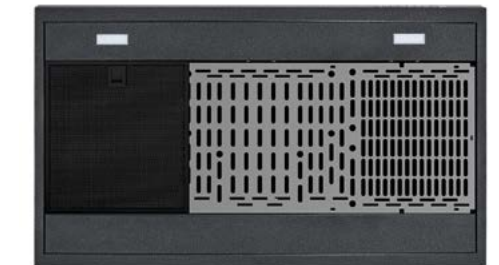
Electronic Control ultrafine

Dimmable LED Lighting

LED lighting with programmable intensity and colour regulation (from 3000K to 4000K).



Balanced Aspiration System.



Frameless LED lights

New aesthetics of LED Lights without frame more elegants.



Versions

Dimensions (mm)	Finish	Black Filters	LED Lights	Internal Motor	Ref.	Sonority		EE
						Pres. dBA min/max	Pow. dBA min/max	
900	Carbon	3	2	VF700	27608	36/51	40/55	A
	Copper	3	2	VF700	27609	36/51	40/55	A
1200	Carbon	4	3	1100GP	27610	38/54	41/61	A+
	Copper	4	3	1100GP	27611	38/54	41/61	A+



Technical Information

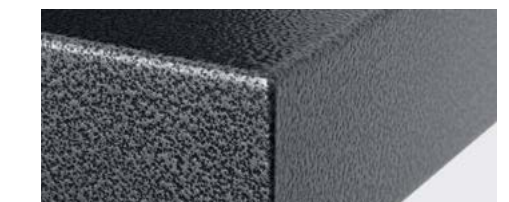
- Textured Carbon or Copper Finish.
- Silence Motors VF700 and 1100GP.
- Isolated motor with sound absorbing material.
- Electronic Control.
- Deferred stop (Last time).
- Saturation filters alarm.
- Dimmable LED Lighting.
- Black lacquered Aluminium filters.
- A.C. System (balanced aspiration).
- Easy Clean.
- 3 Speeds + Booster.
- Optional recirculation.

Optional Accessories

	Ref.
Cylindric Plasma filter C1000*	90371
* Acc. Required for Plasma C1000 installation	90198
Cylindric Plasma filter C600	90372
Carbon Filter FC-Plus	90381
Recirculation kit	90133
Airsoft 1 Soundproofing duct (-3 dBA)	90182

Ducting pipes. See page 176.
Top tube extensions. See page 178.

Finishes



CARBON TEXTURE



CUPPER TEXTURE



Master Prof - Wall Hoods

FRECAN

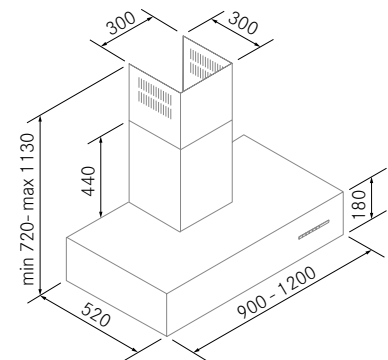


Watch video



Technical design

Outlet 150 mm.



Prof Labyrinth Filters

This technology guarantees maximum absorption by increasing hood's performance and allowing the collection of fats and oils.



External Motors

	Ref.
Intermediate Motor - IL1300EC - ø200	90406
Intermediate Motor - IL2200EC - ø200	90405
Wall Motor - PA1200EC - ø200	90407
Roof Motor - TJ2000EC - ø200	90409
Roof Motor - TJ2500EC - ø200	90408

More information Page 181.

Dimmable LED Lighting

LED lighting with programmable intensity and colour regulation (from 3000K to 4000K).



Versions

Dimensions (mm)	Finish	Prof Filters	LED Strips	Internal Motor	Ref.	Sonority		EE
						Pres. dBA min/max	Pow. dBA min/max	
900	S.Steel	3	1	1100GP	27612	31/52	37/57	A+
1200	S.Steel	4	2	1100GP	27613	31/52	37/57	A+

Dimensions (mm)	Finish	Prof Filters	LED Strips	Internal Motor	Ref.	Complete with External Motors
900	S.Steel	3	1	Without Motor	27614	Complete with External Motors
1200	S.Steel	4	2	Without Motor	27615	



Technical Information

- AISI 304 of 1mm Stainless Steel Finish.
- Silence Motor 1100GP.
- Isolated motor with sound absorbing material.
- Electronic Control.
- Deferred stop (Last time).
- Saturation filters alarm.
- Dimmable LED lighting strips.
- Prof Labyrinth Filters.
- Easy Clean.
- 3 Speeds + Booster.
- Optional recirculation.
- Oil collection tray.

Optional Accessories

	Ref.
Cylindric Plasma filter C1000	90371
* Acc. Required for Plasma C1000 installation	90198
Carbon Filter FC-Plus	90381
Airsoft 1 Soundproofing duct (-3 dBA)	90182

Ducting pipes. See page 176.
Top tube extensions. See page 178.



Mercury - Wall Hoods

FRECAN

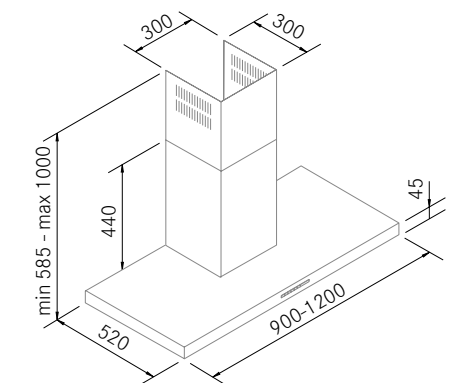


Watch video



Technical design

Outlet 150 mm.



Balanced Aspiration System.



High Class stainless steel filters (9 layers).

Versions

Dimensions (mm)	Finish	S/S High Class Filters	LED Strips	Internal Motor	Ref.	Sonority		EE
						Pres. dBA min/max	Pow. dBA min/max	
900	S.Steel	3	1	1100GP	27616	34/55	40/60	A+
1200	S.Steel	4	2	1100GP	27617	34/55	40/60	A+

Dimensions (mm)	Finish	S/S High Class Filters	LED Strips	Internal Motor	Ref.	Complete with External Motors
900	S.Steel	3	1	Without Motor	27618	Complete with External Motors
1200	S.Steel	4	2	Without Motor	27619	



Technical Information

- AISI 304 of 1mm Stainless Steel Finish.
- Silence Motor R1100GP-Silence.
- Isolated motor with sound absorbing material.
- Electronic Control.
- Deferred stop (Last time).
- Saturation filters alarm.
- Dimmable LED lighting strips.
- A.C. System (balanced aspiration).
- Easy Clean.
- 3 Speeds + Booster.
- Optional recirculation.

Optional Accessories

	Ref.
Cylindric Plasma filter C1000*	90371
* Acc. Required for Plasma C1000 installation	90198
Carbon Filter FC-Plus	90381
Recirculation kit	90133
Airsoft 1 Soundproofing duct (-3 dBA)	90182

Ducting pipes. See page 176.
Top tube extensions. See page 178.



Dimmable LED Lighting

LED lighting with programmable intensity and colour regulation (from 3000K to 4000K).



External Motors

	Ref.
Intermediate Motor - IL1300EC - ø200	90406
Intermediate Motor - IL2200EC - ø200	90405
Wall Motor - PA1200EC - ø200	90407
Roof Motor - TJ2000EC - ø200	90409
Roof Motor - TJ2500EC - ø200	90408

More information Page 181.

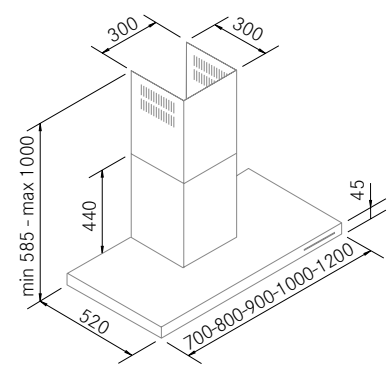
Fine - Wall Hoods

FRECAN



Technical design

Outlet 150 mm.



Balanced Aspiration System.



Electronic Control ultrafine



Frameless LED lights

New aesthetics of LED Lights without frame more elegants.



Versions

Dimensions (mm)	Finish	S/S Filters	LED Lights	Internal Motor	Ref.	Sonority		EE
						Pres. dBA min/max	Pow. dBA min/max	
700	S.Steel	2	2	VF700	27620	37/50	41/54	A-
800	S.Steel	2	2	VF700	27621	37/50	41/54	A
900	S.Steel	3	2	VF700	27622	36/51	40/55	A-
				1100GP	27623	38/54	42/62	A+
1000	S.Steel	3	3	1100GP	27624	38/54	42/62	A+
1200	S.Steel	4	3	1100GP	27625	38/54	41/61	A+

900	S.Steel	3	2	Without Motor	27626	Complete with External Motors		
1000	S.Steel	3	3	Without Motor	27627			
1200	S.Steel	4	3	Without Motor	27628			

Dimmable LED Lighting

LED lighting with programmable intensity and colour regulation (from 3000K to 4000K).



External Motors

	Ref.
Intermediate Motor - IL1300EC - ø200	90406
Intermediate Motor - IL2200EC - ø200	90405
Wall Motor - PA1200EC - ø200	90407
Roof Motor - TJ2000EC - ø200	90409
Roof Motor - TJ2500EC - ø200	90408

More information Page 181.



Technical Information

- AISI 304 of 1mm Stainless Steel Finish.
- Silence Motors VF700 or 1100GP.
- Isolated motor with sound absorbing material.
- Electronic Control.
- Deferred stop (Last time).
- Saturation filters alarm.
- Dimmable LED Lighting.
- A.C. System (balanced aspiration).
- Easy Clean.
- 3 Speeds + Booster.
- Optional recirculation.

Optional Accessories

	Ref.
Cylindric Plasma filter C1000*	90371
* Acc. Required for Plasma C1000 installation	90198
Cylindric Plasma filter C600	90372
Carbon Filter FC-Plus	90381
Recirculation kit	90133

Ducting pipes. See page 176.
Top tube extensions. See page 178.



Fine S - Wall Hoods

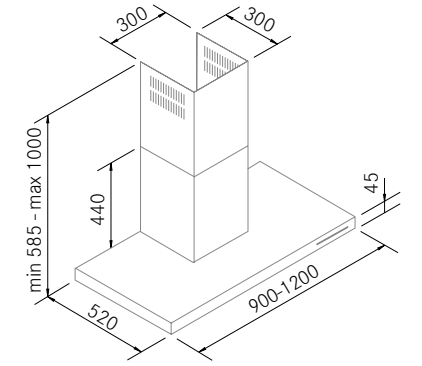
FRECAN

SILENCE



Technical design

Outlet 150 mm.



Balanced Aspiration System.



Frameless LED lights

New aesthetics of LED Lights without frame more elegants.



Versions

Dimensions (mm)	Finish	S/S Filters	LED Lights	Internal Motor	Ref.	Sonority		EE
						Pres. dBA min/max	Pow. dBA min/max	
900	S.Steel	3	2	ST8	27629	34/46	38/49	A+
1200	S.Steel	4	3	ST8	27630	34/44	38/49	A+

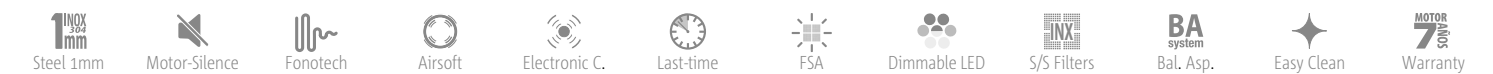
Airsoft 1 Included (-3 dBA)

El modelo Fine ST8 incluye el Airsoft 1, un conducto Insonorizante de 45 cm. que reduce aproximadamente 3 decibelios extra sobre los datos indicados en la campana.



Dimmable LED Lighting

LED lighting with programmable intensity and colour regulation (from 3000K to 4000K).



Technical Information

- AISI 304 of 1mm Stainless Steel Finish.
- Silence Motor ST8.
- Soundproofed motor drawer with Fonotech.
- Airsoft 1 Soundproofing duct: 45 cm. (-3dBA).
- Electronic Control.
- Deferred stop (Last time).
- Saturation filters alarm.
- Dimmable LED Lighting.
- A.C. System (balanced aspiration).
- Easy Clean.
- 3 Speeds + Booster.
- Optional recirculation.

Optional Accessories

Ducting pipes. See page 176.

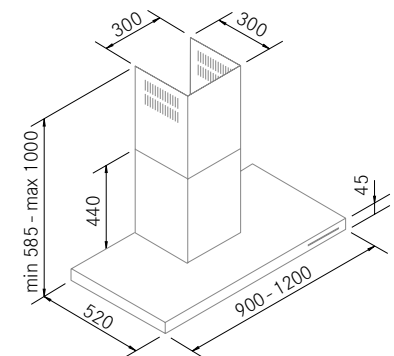


White & Black - Wall Hoods

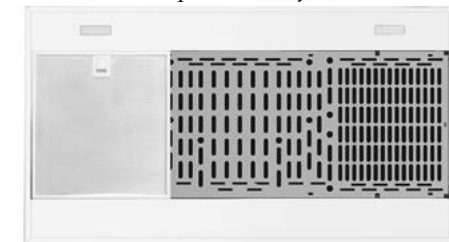
FRECAN

Technical design

Outlet 150 mm.



Balanced Aspiration System.

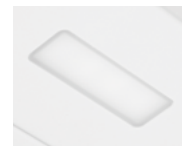


Black or white lacquered aluminium filters.



Frameless LED lights

New aesthetics of LED Lights without frame more elegants.



Versions

Dimensions (mm)	Finish	B/W Filters	LED Lights	Internal Motor	Ref.	Sonority		EE
						Pres. dBA min/max	Pow. dBA min/max	
900	White	3	2	VF700	27631	36/51	40/55	A
	Black	3	2	VF700	27632	36/51	40/55	A
1200	White	4	3	1100GP	27633	38/54	41/61	A+
	Black	4	3	1100GP	27634	38/54	41/61	A+

Dimmable LED Lighting

LED lighting with programmable intensity and colour regulation (from 3000K to 4000K).



- Motor-Silence
- Electronic C.
- Last-time
- FSA
- Dimmable LED
- B/W Filters
- BA system Bal. Asp.
- Easy Clean

Technical Information

- White or Black lacquered Finish. (RAL 9003 o 9005)
- Silence Motors VF700 or 1100GP.
- Isolated motor with sound absorbing material.
- Electronic Control.
- Deferred stop (Last time).
- Saturation filters alarm.
- Dimmable LED Lighting.
- Black or white lacquered aluminium filters.
- A.C. System (balanced aspiration).
- Easy Clean.
- 3 Speeds + Booster.
- Optional recirculation.

Optional Accessories

	Ref.
Cylindric Plasma filter C1000*	90371
* Acc. Required for Plasma C1000 installation	90198
Cylindric Plasma filter C600	90372
Carbon Filter FC-Plus	90381
Recirculation kit	90133
Airsoft 1 Soundproofing duct (-3 dBA)	90182

Ducting pipes. See page 176.
Top tube extensions. See page 178.



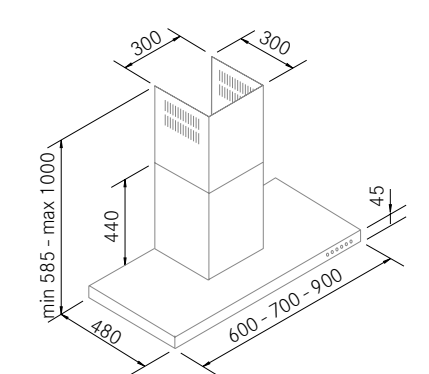
Electronic Control ultrafine in White or Grey. (Depending on model)

QFine - Wall Hoods

FRECAN

Technical design

Outlet 150 mm.



Frameless LED lights

New aesthetics of LED Lights without frame more elegants.



Versions

Dimensions (mm)	Finish	Aluminium Filters	LED Lights	Internal Motor	Ref.	Sonority		EE
						Pres. dBA min/max	Pow. dBA min/max	
600	S.Steel	2	2	VF700	27635	37/50	41/54	A
700	S.Steel	2	2	VF700	27636	37/50	41/54	A
900	S.Steel	3	2	VF700	27637	37/50	41/54	A

- H-Connect
- Motor-Silence
- Remote
- Electronic C.
- Last-time
- FSA
- Dimmable LED

Technical Information

- Stainless Steel Finish.
- Compatible with H-Connect Hobs.
- Silence Motor VF700.
- Isolated motor with sound absorbing material.
- Remote control Included.
- Electronic Control.
- Deferred stop (Last time).
- Saturation filters alarm.
- Dimmable LED Lighting.
- 3 Speeds + Booster.
- Optional recirculation.

Optional Accessories

	Ref.
Cylindric Plasma filter C1000	90371
* Acc. Required for Plasma C1000 installation	90198
Cylindric Plasma filter C600	90372
Carbon Filter FC-Plus	90381
Recirculation kit	90133
Airsoft 1 Soundproofing duct (-3 dBA)	90182

Ducting pipes. See page 176.
Top tube extensions. See page 178.

H-Connect

Reference suitable with H-Connect hobs, allowing to control all the functions and features of the hood from a control located on the hob.



Dimmable LED Lighting

LED lighting with programmable intensity and colour regulation (from 3000K to 4000K).



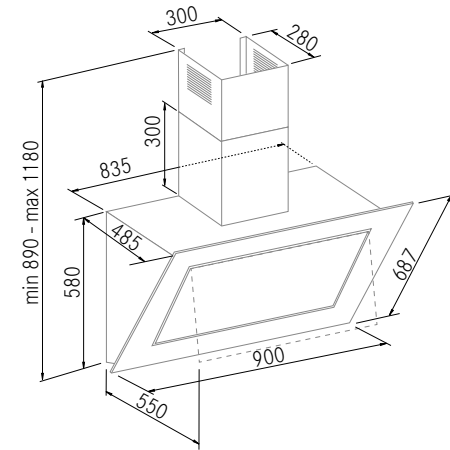
Quasar - Wall Hoods



FRECAN

Technical design

Outlet 150 mm.



Double aspiration system (SDA)



Versions

Dimensions (mm)	Finish	Alu/S-S Filters	LED Lights	Internal Motor	Ref.	Sonority		EE
						Pres. dBA min/max	Pow. dBA min/max	
900	White	2/1	2	VF700	27638	36/46	41/51	A
				1100GP	27639	36/47	39/53	A++
900	Black	2/1	2	VF700	27640	36/46	41/51	A
				1100GP	27641	36/47	39/53	A++
900	White	2/1	2	Without Motor	27646	Complete with External Motors		
900	Black	2/1	2	Without Motor	27647			

Dimmable LED Lighting

LED lighting with programmable intensity and colour regulation (from 3000K to 4000K).



External Motors

	Ref.
Intermediate Motor - IL1300EC - ø200	90406
Intermediate Motor - IL2200EC - ø200	90405
Wall Motor - PA1200EC - ø200	90407
Roof Motor - TJ2000EC - ø200	90409
Roof Motor - TJ2500EC - ø200	90408

More information Page 181.



Technical Information

- S.Steel and White or Black Glass Finish. (RAL 9003 o 9005)
- Silence Motors VF700 or 1100GP.
- Touch Control.
- Deferred stop (Last time).
- Saturation filters alarm.
- Dimmable LED Lighting.
- Double aspiration system (SDA).
- Easy Clean.
- 3 Speeds + Booster.
- Optional recirculation.
- Perimetral aspiration.
- Allows rear exit.
- Door opening pistons.

Optional Accessories

	Ref.
Cylindric Plasma filter C1000	90371
Cylindric Plasma filter C600	90372
Carbon Filter FC-Plus	90381
Recirculation kit (with VF700)	90134

Ducting pipes. See page 176.
Top tube extensions. See page 178.



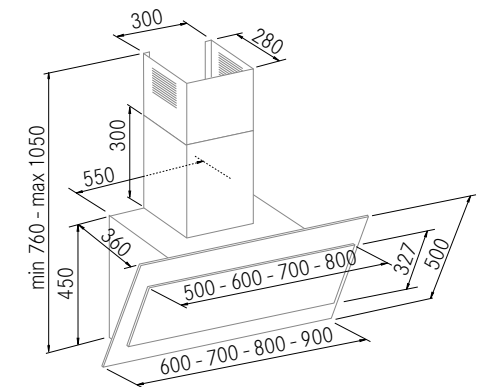
Limit - Wall Hoods

FRECAN

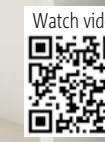


Technical design

Outlet 150 mm.



Double aspiration system (SDA)



Versions

Dimensions (mm)	Finish	Alu/S-S Filters	LED Lights	Internal Motor	Ref.	Sonority		EE
						Pres. dBA min/max	Pow. dBA min/max	
600	White	1/1	2	VF700	27650	36/55	40/50	B
	Black	1/1	2	VF700	27651	36/55	40/50	B
700	White	1/1	2	VF700	27652	36/55	40/50	B
	Black	1/1	2	VF700	27653	36/55	40/50	B
800	White	1/1	2	VF700	27654	36/55	40/50	B
	Black	1/1	2	VF700	27655	36/55	40/50	B
900	White	1/1	2	VF700	27656	36/55	40/50	B
	Black	1/1	2	VF700	27657	36/55	40/50	B

Dimmable LED Lighting

LED lighting with programmable intensity and colour regulation (from 3000K to 4000K).



Technical Information

- S.Steel and White or Black Glass Finish. (RAL 9003 o 9005)
- Silence Motor VF700.
- Touch Control.
- Deferred stop (Last time).
- Saturation filters alarm.
- Dimmable LED Lighting.
- Double aspiration system (SDA).
- Easy Clean.
- 3 Speeds + Booster.
- Optional recirculation.
- Perimetral aspiration.
- Allows rear exit.

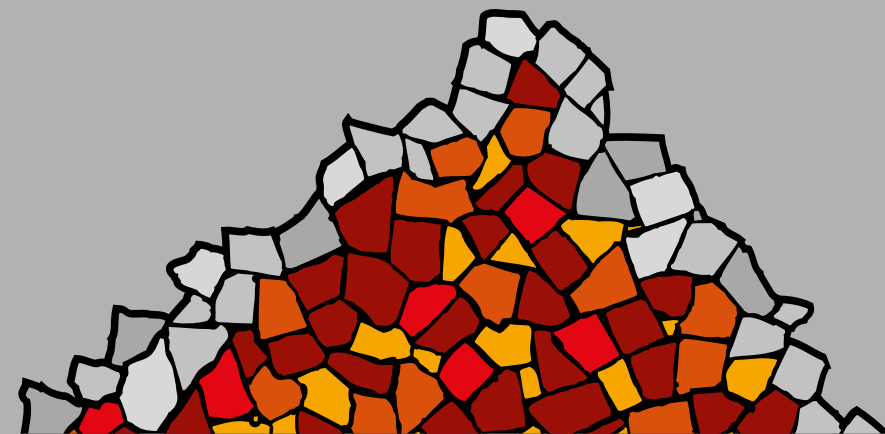
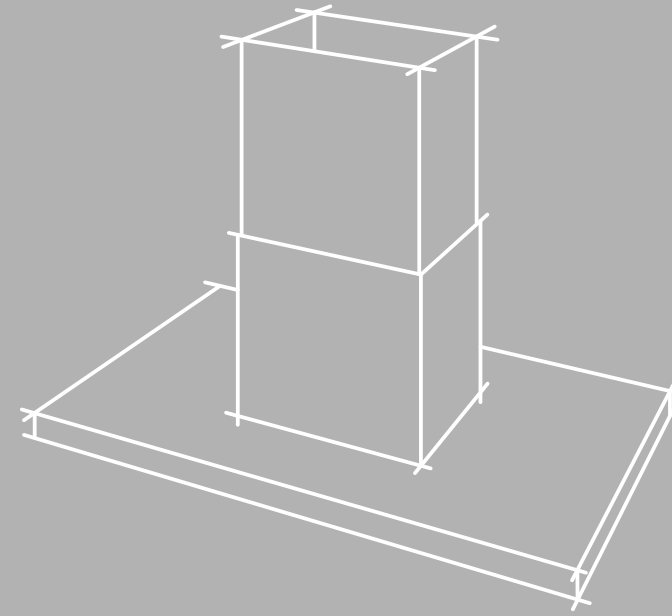
Optional Accessories

	Ref.
Cylindric Plasma filter C1000	90371
Cylindric Plasma filter C600	90372
Carbon Filter FC-Plus	90381
Recirculation kit	90134
Airsoft 1 Soundproofing duct (-3 dBA)	90182

Ducting pipes. See page 176.
Top tube extensions. See page 178.

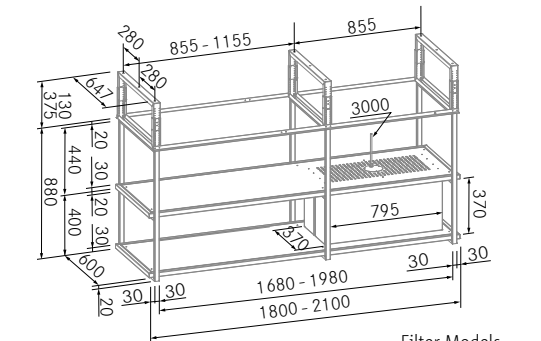


Island Hoods

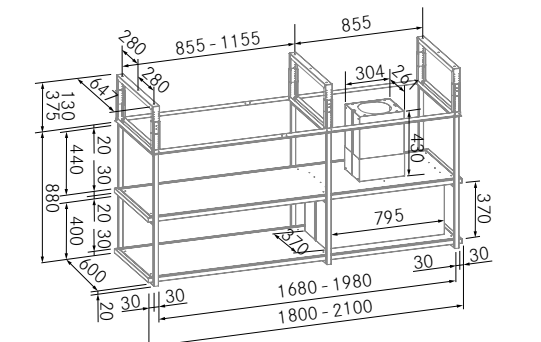




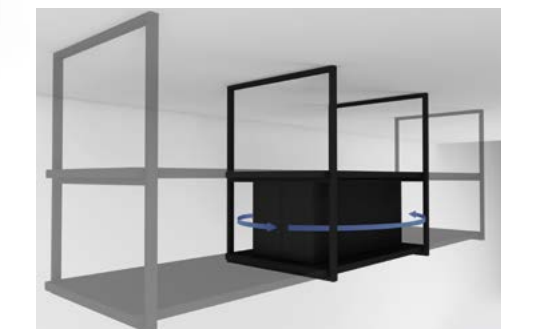
Technical design



Filter Models



Applicant Models



Reversible motor drawer to adapt to any design.

Versions

Dimensions (mm)	Finish	Black Filters	LED Strips	Aspiración	Internal Motor	Ref.	Sonority		EE
							Pres. dBA min/max	Pow. dBA min/max	
1800	Black	3	4	Plasma filter	ST8	27658	33/35	38/50	-
				Applicant	ST8	27659	33/35	38/50	B
2100	Black	3	4	Plasma filter	ST8	27660	33/35	38/50	-
				Applicant	ST8	27661	33/35	38/50	B

- H-Connect
- Motor-Silence
- Remote
- Last-time
- FSA
- Dimmable LED
- S/S Filters-B/W
- Easy Clean
- 7 Years Warranty

Technical Information

- Black Lacquered Finish (RAL 9005).
- Silence Motor ST8.
- Deferred stop (Last time).
- Saturation filters alarm.
- Dimmable LED lighting strips.
- Stainless Steel Black lacquered Filters.
- 3 Speeds + Booster.
- Plasma recirculation (filtering version).

Included Accessories



Remote control

Dimmable LED Lighting

LED lighting with programmable intensity and colour regulation (from 3000K to 4000K).



H-Connect

Reference suitable with H-Connect hobs, allowing to control all the functions and features of the hood from a control located on the hob.



Plasma Filter C1000

See more information on page 158. Included in filter model.





Frameless LED lights
New aesthetics of LED Lights without frame more elegants.



Versions

Dimensions (mm)	Finish	B/W Filters	LED Lights	Internal Motor	Ref.	Sonority		EE
						Pres. dBA min/max	Pow. dBA min/max	
900	White	3	4	1100GP	27662	38/54	42/62	A++
900	Black	3	4	1100GP	27663	38/54	42/62	A++



Technical Information

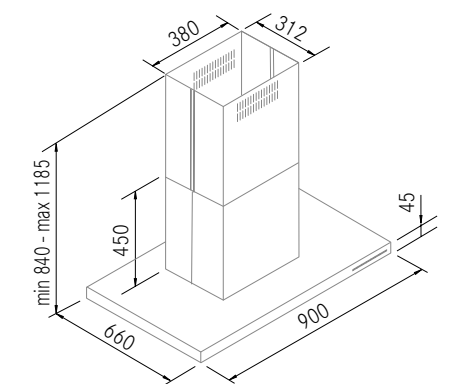
- White or Black lacquered Finish. (RAL 9003 o 9005)
- Silence Motor 1100GP.
- Isolated motor with sound absorbing material.
- Electronic Control.
- Deferred stop (Last time).
- Saturation filters alarm.
- Dimmable LED Lighting.
- White or black lacquered Aluminium filters.
- A.C. System (balanced aspiration).
- Easy Clean.
- 3 Speeds + Booster.
- Optional recirculation.
- Easy installation system for Islands.

Optional Accessories

	Ref.
Cylindric Plasma filter C1000	90371
Carbon Filter FC-Plus	90381
Recirculation kit	90185
Airsoft 1 Soundproofing duct (-3 dBA)	90182

*Ducting pipes. See page 176.
Top tube extensions. See page 178.
Structures for false ceiling. See Pg. 176.*

Technical design
Outlet 150 mm.



Electronic Control ultrafine in White or Grey. (Depending on model)

Dimmable LED Lighting
LED lighting with programmable intensity and colour regulation (from 3000K to 4000K).



Balanced Aspiration System.



Black or white lacquered aluminium filters.

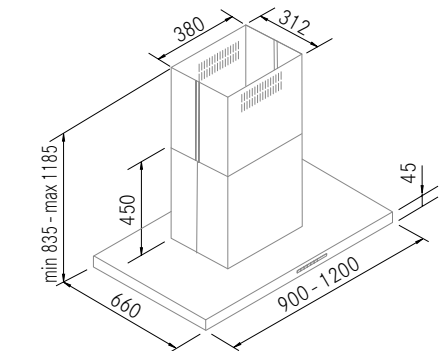




High Class Stainless Steel Filters (9 layers)



Technical design
Outlet 150 mm.



Balanced Aspiration System.



Dimmable LED Lighting

LED lighting with programmable intensity and colour regulation (from 3000K to 4000K).



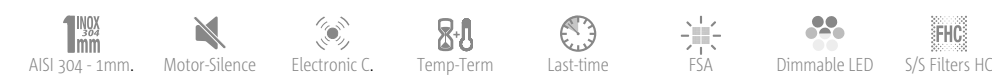
Versions

Dimensions (mm)	Finish	High Class S/S Filters	LED Strips	Internal Motor	Ref.	Sonority		EE
						Pres. dBA min/max	Pow. dBA min/max	
900	S.Steel	3	2	1100GP	27668	35/54	40/60	A+
1200	S.Steel	4	4	1100GP	27669	34/55	41/60	A+
900	S.Steel	3	2	Without Motor	27670	Complete with External Motors		
1200	S.Steel	4	4	Without Motor	27671			

External Motors

	Ref.
Intermediate Motor - IL1300EC - ø200	90406
Intermediate Motor - IL2200EC - ø200	90405
Wall Motor - PA1200EC - ø200	90407
Roof Motor - TJ2000EC - ø200	90409
Roof Motor - TJ2500EC - ø200	90408

More information Page 181.



Technical Information

- AISI 304 of 1mm Stainless Steel Finish.
- Silence Motor 1100GP.
- Isolated motor with sound absorbing material.
- Electronic Control.
- Timer and thermometer.
- Deferred stop (Last time).
- Saturation filters alarm.
- Dimmable LED lighting strips.
- A.C. System (balanced aspiration).
- Easy Clean.
- 3 Speeds + Booster.
- Optional recirculation.
- Easy installation system for Islands.

Optional Accessories

	Ref.
Cylindric Plasma filter C1000	90371
Carbon Filter FC-Plus	90381
Recirculation kit	90185
Airsoft 1 Soundproofing duct (-3 dBA)	90182

Ducting pipes. See page 176.
Top tube extensions. See page 178.
Structures for false ceiling. See Pg. 176.



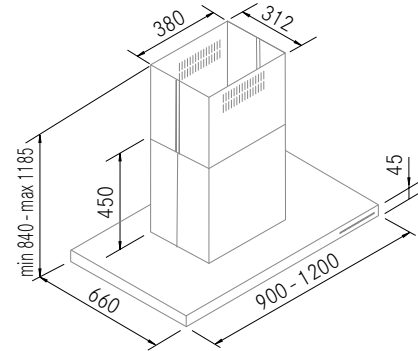
Fine - Island Hoods

FRECAN



Technical design

Outlet 150 mm.



Balanced Aspiration System.



Frameless LED lights

New aesthetics of LED Lights without frame more elegants.



Electronic Control ultrafine

Dimmable LED Lighting

LED lighting with programmable intensity and colour regulation (from 3000K to 4000K).



External Motors

	Ref.
Intermediate Motor - IL1300EC - ø200	90406
Intermediate Motor - IL2200EC - ø200	90405
Wall Motor - PA1200EC - ø200	90407
Roof Motor - TJ2000EC - ø200	90409
Roof Motor - TJ2500EC - ø200	90408

More information Page 181.

Versions

Dimensions (mm)	Finish	S/S Filters	LED Lights	Internal Motor	Ref.	Sonority		EE
						Pres. dBA min/max	Pow. dBA min/max	
900	S.Steel	3	4	1100GP	27664	38/54	42/62	A++
1200	S.Steel	4	6	1100GP	27665	38/54	41/61	A+

Dimensions (mm)	Finish	S/S Filters	LED Lights	Without Motor	Ref.	Complete with External Motors
900	S.Steel	3	4	Without Motor	27666	
1200	S.Steel	4	6	Without Motor	27667	



Technical Information

- AISI 304 of 1mm Stainless Steel Finish.
- Silence Motor 1100GP.
- Isolated motor with sound absorbing material.
- Electronic Control.
- Deferred stop (Last time).
- Saturation filters alarm.
- Dimmable LED Lighting.
- A.C. System (balanced aspiration).
- Easy Clean.
- 3 Speeds + Booster.
- Optional recirculation.
- Easy installation system for Islands.

Optional Accessories

	Ref.
Cylindric Plasma filter C1000	90371
Carbon Filter FC-Plus	90381
Recirculation kit	90185

Ducting pipes. See page 176.
Top tube extensions. See page 178.
Structures for false ceiling. See Pg. 176.



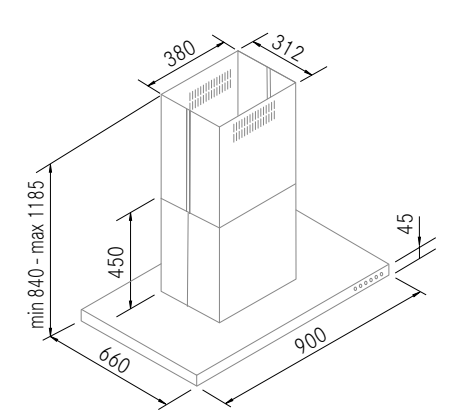
QFine - Island Hoods

FRECAN



Technical design

Outlet 150 mm.



Frameless LED lights

New aesthetics of LED Lights without frame more elegants.



Versions

Dimensions (mm)	Finish	Aluminium Filters	LED Lights	Internal Motor	Ref.	Sonority		EE
						Pres. dBA min/max	Pow. dBA min/max	
900	S.Steel	3	4	VF700	27672	37/50	41/54	A



Technical Information

- Stainless Steel Finish.
- Compatible with H-Connect Hobs.
- Silence Motor VF700.
- Isolated motor with sound absorbing material.
- Remote control Included.
- Electronic Control.
- Deferred stop (Last time).
- Saturation filters alarm.
- Dimmable LED Lighting.
- 3 Speeds + Booster.
- Optional recirculation.
- Easy installation system for Islands.

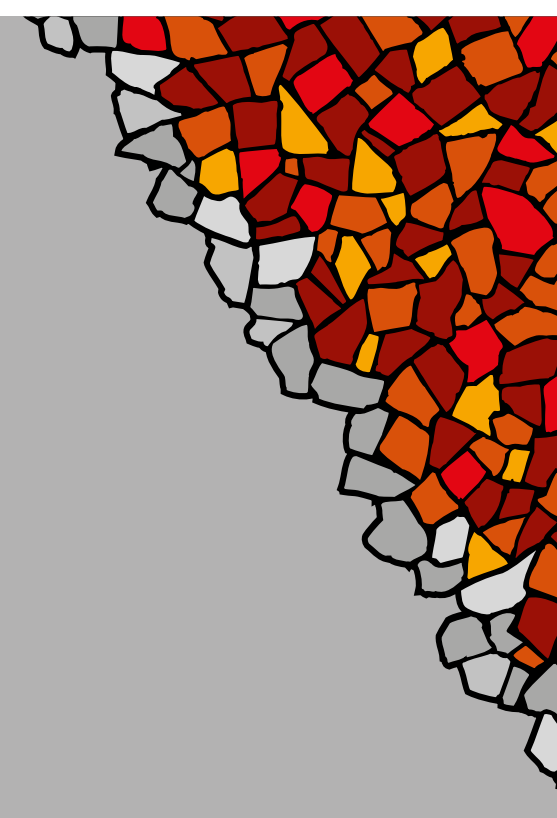
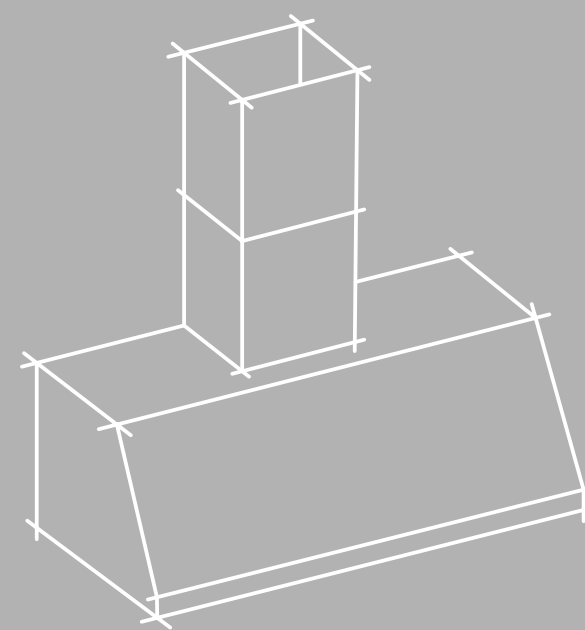
Optional Accessories

	Ref.
Cylindric Plasma filter C1000	90371
Cylindric Plasma filter C600	90372
Carbon Filter FC-Plus	90381
Recirculation kit	90185
Airsoft 1 Soundproofing duct (-3 dBA)	90182

Ducting pipes. See page 176.
Top tube extensions. See page 178.
Structures for false ceiling. See Pg. 176.

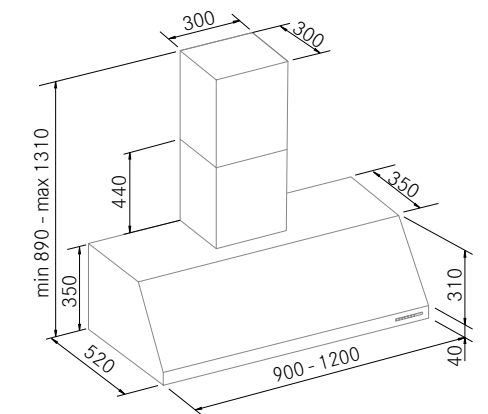


Vintage Hoods





Technical design
Outlet 150 mm.



Balanced Aspiration System.



Dimmable LED Lighting

LED lighting with programmable intensity and colour regulation (from 3000K to 4000K).



Versions

Dimensions (mm)	Finish	S.S/B/W Filters	LED Strips	Internal Motor	Ref.	Sonority		EE
						Pres. dBA min/max	Pow. dBA min/max	
900	Carbon	3	1	1100GP	27673	37/55	41/60	A+
	Copper	3	1	1100GP	27674	37/55	41/60	A+
1200	Carbon	4	2	1100GP	27675	38/55	40/59	A+
	Copper	4	2	1100GP	27676	38/55	40/59	A+



Technical Information

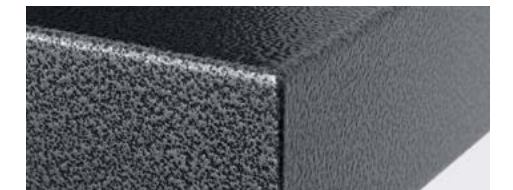
- Finishes Carbon or Copper
- Silence Motors 1100GP.
- Electronic Control.
- Deferred stop (Last time).
- Saturation filters alarm.
- Dimmable LED lighting strips.
- S.Steel lacquered Black Filter.
- A.C. System (balanced aspiration).
- Easy Clean.
- 3 Speeds + Booster.
- Optional recirculation.
- Allows rear exit.

Optional Accessories

	Ref.
Cylindric Plasma filter C1000	90371
Carbon Filter FC-Plus	90381
Airsoft 1 Soundproofing duct (-3 dBA)	90182

*Ducting pipes. See page 176.
Top tube extensions. See page 178.*

Finishes



CARBON TEXTURE



CUPPER TEXTURE





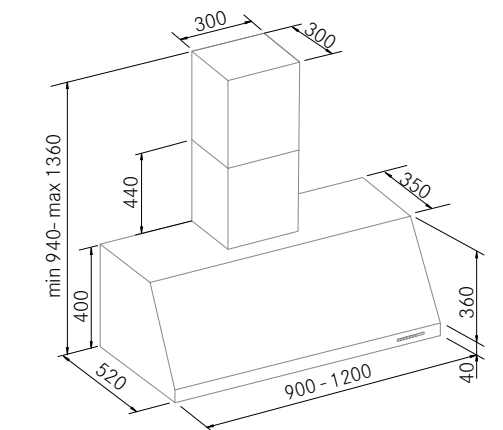
Versions

Dimensions (mm)	Finish	Filtros Prof	LED Strips	Internal Motor	Ref.	Sonority		EE
						Pres. dBA min/max	Pow. dBA min/max	
900	S.Steel	3	1	1100GP	27677	37/56	39/58	A+
1200	S.Steel	4	2	1100GP	27678	36/53	38/57	A+

900	S.Steel	3	1	Without Motor	27679	Complete with External Motors		
1200	S.Steel	4	2	Without Motor	27680			

Technical design

Outlet 150 mm.



External Motors

	Ref.
Intermediate Motor - IL1300EC - ø200	90406
Intermediate Motor - IL2200EC - ø200	90405
Wall Motor - PA1200EC - ø200	90407
Roof Motor - TJ2000EC - ø200	90409
Roof Motor - TJ2500EC - ø200	90408

More information Page 181.

Prof Labyrinth Filters

This technology guarantees maximum absorption by increasing hood's performance and allowing the collection of fats and oils.



Dimmable LED Lighting

LED lighting with programmable intensity and colour regulation (from 3000K to 4000K).



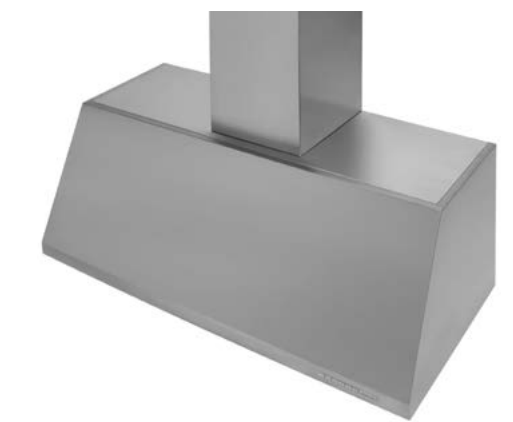
Technical Information

- AISI 304 of 1mm Stainless Steel Finish.
- Silence Motors 1100GP.
- Electronic Control.
- Deferred stop (Last time).
- Saturation filters alarm.
- Dimmable LED lighting strips.
- Prof Labyrinth Filters.
- Easy Clean.
- 3 Speeds + Booster.
- Optional recirculation.
- Allows rear exit.

Optional Accessories

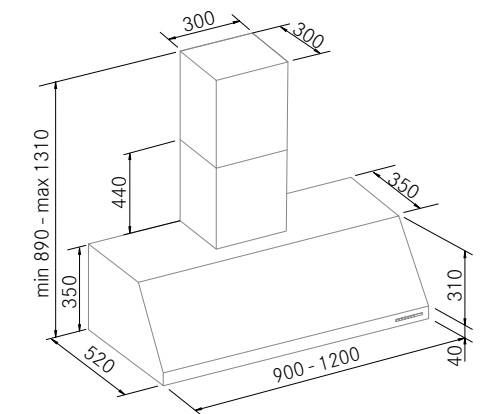
	Ref.
Cylindric Plasma filter C1000	90371
Carbon Filter FC-Plus	90381
Airsoft 1 Soundproofing duct (-3 dBA)	90182

Ducting pipes. See page 176.
Top tube extensions. See page 178.





Technical design
Outlet 150 mm.



Balanced Aspiration System.



Versions

Dimensions (mm)	Finish	S.S/B/W Filters	LED Strips	Internal Motor	Ref.	Sonority		EE
						Pres. dBA min/max	Pow. dBA min/max	
900	S.Steel	3	1	1100GP	27681	37/55	41/60	A+
	White	3	1	1100GP	27682	37/55	41/60	A+
	Black	3	1	1100GP	27683	37/55	41/60	A+
1200	S.Steel	4	2	1100GP	27684	38/55	40/59	A+
	White	4	2	1100GP	27685	38/55	40/59	A+
	Black	4	2	1100GP	27686	38/55	40/59	A+

Dimmable LED Lighting

LED lighting with programmable intensity and colour regulation (from 3000K to 4000K).



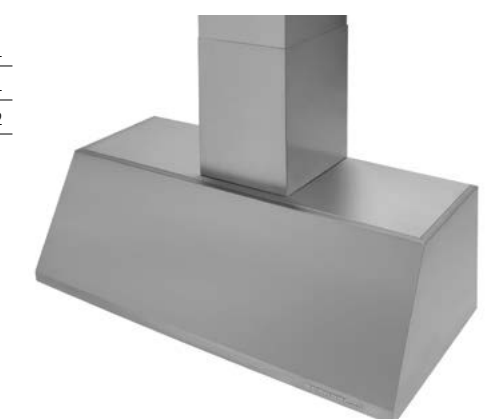
- AISI 304 - 1mm.
- Motor-Silence
- Electronic C.
- Last-time
- FSA
- Dimmable LED
- S/S Filters-B/N
- BA system Bal. Asp.
- Easy Clean

Technical Information

- S.Steel or White or Black lacquered Finish (RAL 9003 o 9005).
- Silence Motors 1100GP.
- Electronic Control.
- Deferred stop (Last time).
- Saturation filters alarm.
- Dimmable LED lighting strips.
- S.Steel or White or Black S.Steel lacquered Filters.
- A.C. System (balanced aspiration).
- Easy Clean.
- 3 Speeds + Booster.
- Optional recirculation.
- Allows rear exit.

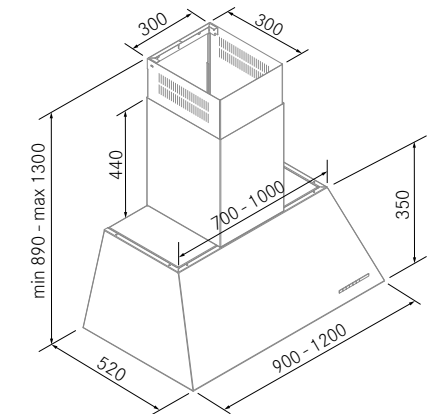
Optional Accessories

	Ref.
Cylindric Plasma filter C1000	90371
Carbon Filter FC-Plus	90381
Airsoft 1 Soundproofing duct (-3 dBA)	90182
<i>Ducting pipes. See page 176.</i>	
<i>Top tube extensions. See page 178.</i>	

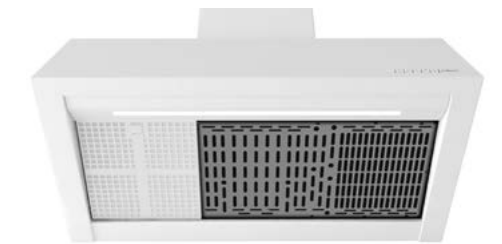




Technical design
Outlet 150 mm.



Balanced Aspiration System.



Versions

Dimensions (mm)	Finish	S.S./B/W Filters	LED Strips	Internal Motor	Ref.	Sonority		EE
						Pres. dBA min/max	Pow. dBA min/max	
900	S.Steel	3	1	1100GP	27687	37/55	41/60	A++
	White	3	1	1100GP	27688	37/55	41/60	A++
	Black	3	1	1100GP	27689	37/55	41/60	A++
1200	S.Steel	4	2	1100GP	27690	35/54	39/60	A+
	White	4	2	1100GP	27691	35/54	39/60	A+
	Black	4	2	1100GP	27692	35/54	39/60	A+

Dimmable LED Lighting

LED lighting with programmable intensity and colour regulation (from 3000K to 4000K).



- AISI 304 - 1mm.
- Motor-Silence
- Electronic C.
- Last-time
- FSA
- Dimmable LED
- S/S Filters-B/N
- BA system Bal. Asp.
- Easy Clean

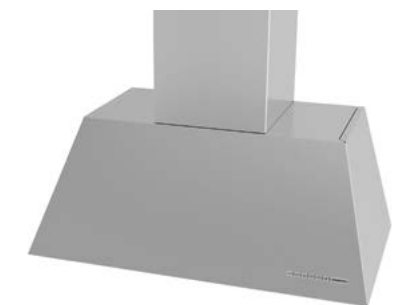
Technical Information

- S.Steel or White or Black lacquered Finish (RAL 9003 o 9005).
- Silence Motors 1100GP.
- Electronic Control.
- Deferred stop (Last time).
- Saturation filters alarm.
- Dimmable LED lighting strips.
- S.Steel or White or Black S.Steel lacquered Filters.
- A.C. System (balanced aspiration).
- Easy Clean.
- 3 Speeds + Booster.
- Optional recirculation.
- Allows rear exit.

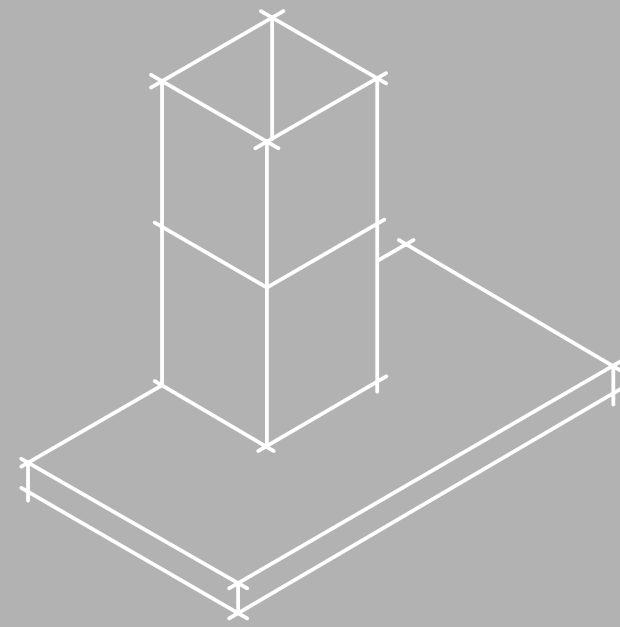
Optional Accessories

	Ref.
Cylindric Plasma filter C1000	90371
Carbon Filter FC-Plus	90381
Airsoft 1 Soundproofing duct (-3 dBA)	90182

*Ducting pipes. See page 176.
Top tube extensions. See page 178.*



Urban Hoods

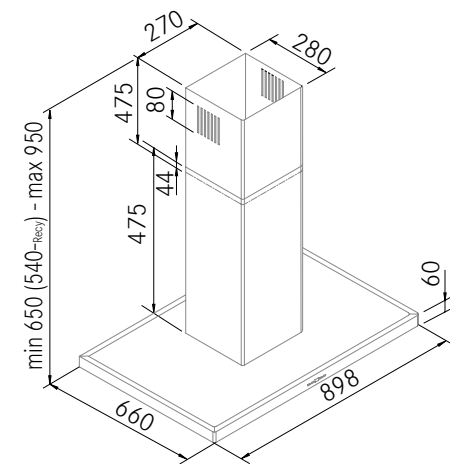


i212 - URBAN Hoods



Technical design

Outlet Ø150 (External dimensions)



Versions

Dimensions (mm)	Finish	Aluminium Filters	LED Lights	Internal Motor	Ref.	Sonority		EE
						Pres. dBA min/max	Pow. dBA min/max	
900	S.Steel	4	2	V650	26408	41/57	44/69	C



Technical Information

- Stainless Steel Finish.
- Motor V650.
- Electronic Control.
- Deferred stop (LastTime).
- LED Lights Lighting (3000K).
- 3 Speeds.
- Optional recirculation.

Optional Accessories

Optional Accessories	Ref.
Carbon Filter FC-Plus	90381
Recycling filter kit	90368
Airsoft 1 Soundproofing duct (-3 dBA)	90182

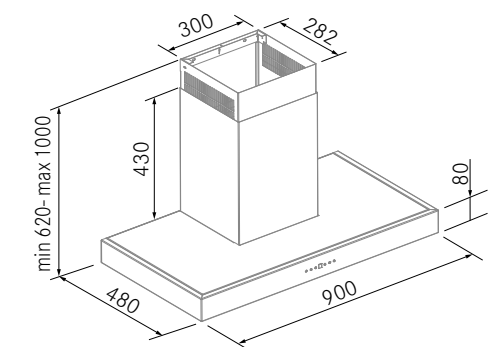
Compatible ducting. See page 175.

N311 - URBAN Hoods



Technical design

Outlet ø150 mm. (External dimensions)



Versions

Dimensions (mm)	Finish	Aluminium Filters	LED Lights	Internal Motor	Ref.	Sonority		EE
						Pres. dBA min/max	Pow. dBA min/max	
900	S.Steel	3	2	VF700GP	27407	36/47	39/51	A



Technical Information

- Stainless Steel Finish.
- Compatible with H-Connect Hobs.
- Silence Motor VF700.
- Remote control Included.
- Electronic Control.
- Deferred stop (Last time).
- Saturation filters alarm.
- LED Lights Lighting (3000K).
- 3 Speeds + Booster.
- Optional recirculation.

Optional Accessories

Optional Accessories	Ref.
Carbon Filter FC-Plus	90381
Recirculation kit	90133
Airsoft 1 Soundproofing duct (-3 dBA)	90182

Compatible ducting. See page 175.

H-Connect

Reference suitable with H-Connect hobs, allowing to control all the functions and features of the hood from a control located on the hob.

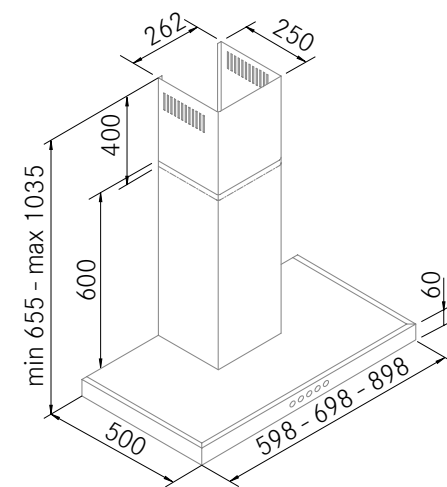


M201 - URBAN Hoods



Technical design

Outlet Ø150 mm. (External dimensions)



Versions

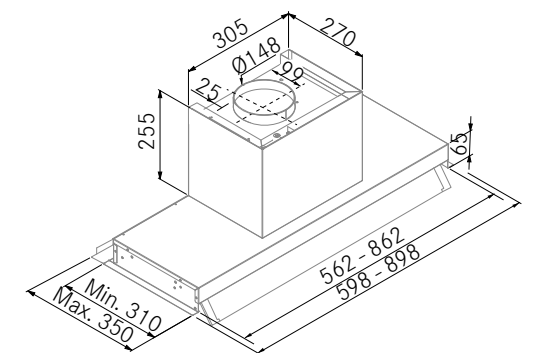
Dimensions (mm)	Finish	Aluminium Filters	LED Lights	Internal Motor	Ref.	Sonority		EE
						Pres. dBA min/max	Pow. dBA min/max	
600	S.Steel	2	2	V650	26421	46/57	50/69	C
700	S.Steel	2	2	V650	26422	46/57	50/69	C
900	S.Steel	3	2	V650	26423	42/58	46/70	C
900	White	3	2	V650	26424	42/58	46/70	C
900	Black	3	2	V650	26425	42/58	46/70	C

E701 - URBAN Hoods



Technical design

Outlet Ø150 mm. (External dimensions)



Versions

Dimensions (mm)	Finish	Aluminium Filters	LED Lights	Internal Motor	Ref.	Sonority		EE
						Pres. dBA min/max	Pow. dBA min/max	
600	S.Steel	2	2	V700	26431	41/52	45/64	A
900	S.Steel	3	2	V700	26432	41/52	45/64	A



Technical Information

- Stainless Steel or White or Black lacquered Finish.
- Motor V650.
- LED Lights Lighting (3000K).
- 3 Speeds.
- Optional recirculation.

Optional Accessories

	Ref.
Carbon Filter FC-Plus	90381
Recycling filter kit	90172
Airsoft 1 Soundproofing duct (-3 dBA)	90182

Compatible ducting. See page 175.



Technical Information

- S.Steel and Glass Finish.
- Motor V700.
- Electronic Control.
- LED Lights Lighting (2700K).
- 3 Speeds.
- Optional recirculation.

Optional Accessories

	Ref.
Carbon Filter FC-Plus	90381
Carbon Filter FC-Plus Mini	90369
Recycling filter kit	90292
Airsoft 1 Soundproofing duct (-3 dBA)	90182

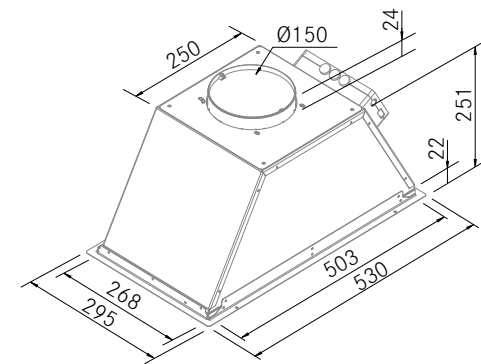
Compatible ducting. See page 175.

N307 - URBAN Hoods



Technical design

Outlet $\varnothing 150$ mm. (External dimensions)
Cut-out dimension 510 x 280 mm. - 770 x 280 mm.



Versions

Dimensions (mm)	Finish	Aluminium Filters	LED Lights	Internal Motor	Ref.	Sonority		EE
						Pres. dBA min/max	Pow. dBA min/max	
530	S.Steel	2	2	VF700GP	27406	36/48	38/54	A



Technical Information

- Stainless Steel Finish.
- Compatible with H-Connect Hobs.
- Silence Motor VF700.
- Remote control included.
- Electronic Control.
- Deferred stop (Last time).
- Saturation filters alarm.
- LED Lights Lighting (3000K).
- 3 Speeds + Booster.
- Optional recirculation.

Optional Accessories

	Ref.
Carbon Filter FC-Plus	90381
Recirculation kit	90133
Airsoft 1 Soundproofing duct (-3 dBA)	90182

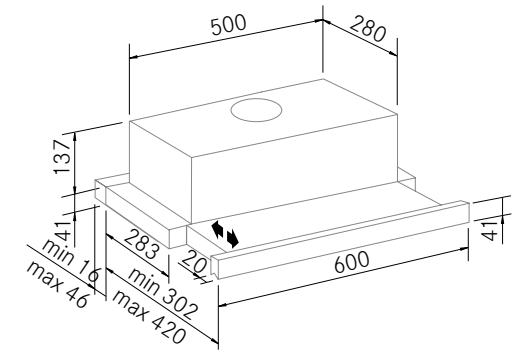
Compatible ducting. See page 175.

E209 - URBAN Hoods



Technical design

Outlet $\varnothing 120$ mm. (External dimensions)



Versions

Dimensions (mm)	Finish	Aluminium Filters	LED Lights	Internal Motor	Ref.	Sonority		EE
						Pres. dBA min/max	Pow. dBA min/max	
600	White	2	1	V350	26442	40/47	51/59	D
600	S.Steel	2	1	V350	26443	40/47	51/59	D



Technical Information

- Stainless Steel or White Finish.
- Motor V350.
- Mechanical keypad.
- LED Light Lighting (2700K).
- 2 Speeds.
- Optional recirculation.

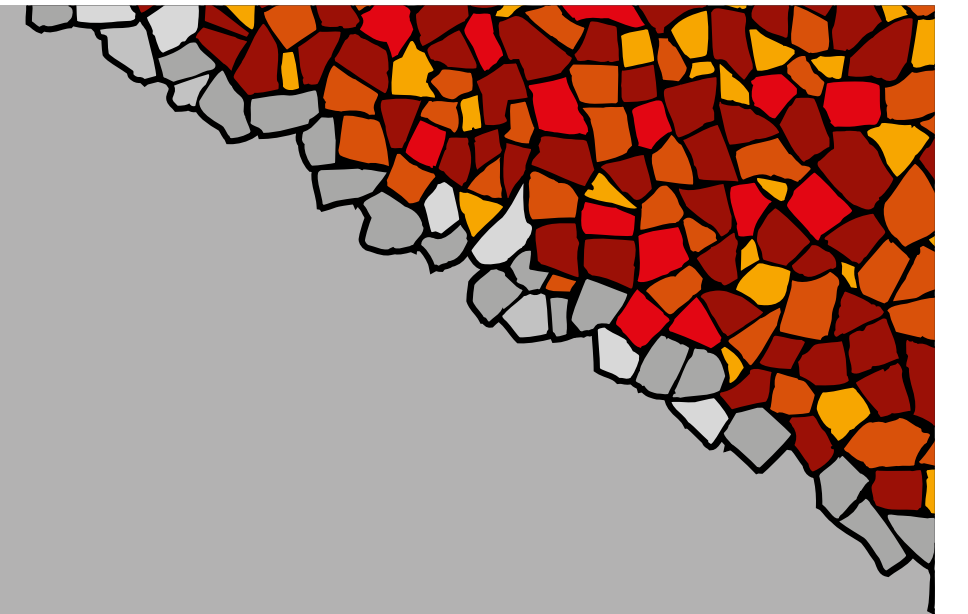
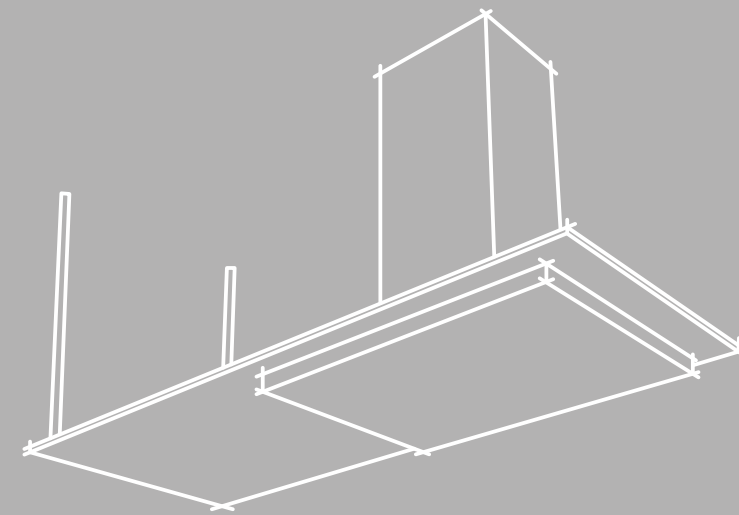
Optional Accessories

	Ref.
Carbon Filter FC-Plus	90381
Recycling filter kit	90104
Airsoft 1 Soundproofing duct (-3 dBA)	90229

Compatible ducting. See page 175.



freca**TEK**
Custom Made
Manufacturing



We are manufacturers



Craftsmanship and technology shaping your ideas.

FrecanTEK is formed by professionals with great experience in the manufacture of all kinds of elements in Stainless Steel for the kitchen. We work with steel of the highest quality AISI 304 and AISI 316, which after a meticulous process of computer-aided design gets the shape you imagined.



IMAGINE

Imagine that original and distinguished piece for your project.



DRAW

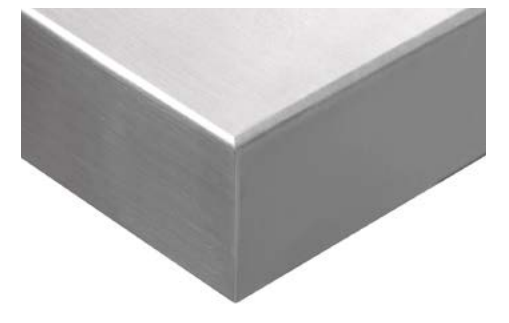
Tell us what you want to build, and our designers will make it happen.



Edges at 45°



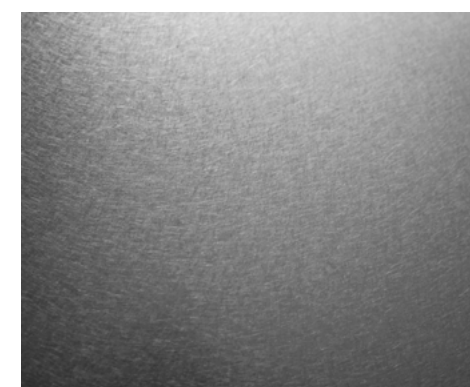
5 mm solid edge



Edges from 12mm. - 21mm. and from 30mm. to 200mm.

Thanks to our experience we can shape your ideas by cutting, folding, welding, polishing, and assembling. Processes requiring great experience and dedication since each element we produce is a work of exclusive craftsmanship for a unique client.

Contact with us
frecantek@frecan.com



Vibrated Finish



Satin



Vintage

Guarantee and experience in kitchens.



Stainless Steel Heart

In addition to always having a clean looking, stainless steel is an hygienic material, easy to clean due to the absence of porosity on the surface, its durability being one of the greatest benefits given its resistance to corrosion and the passage of time, in addition to its low maintenance.

The stainless steel potential in the kitchen is endless. As a noble material, stainless steel is perfect for giving the kitchen a professional look and is highly compoundable with other materials such as wood and glass.



Wide variety of possibilities.



Custom made structures.



Integration of accessories.



Sink integration.



Interior door finish.



Kitchen furniture in steel.

We manufacture to measure

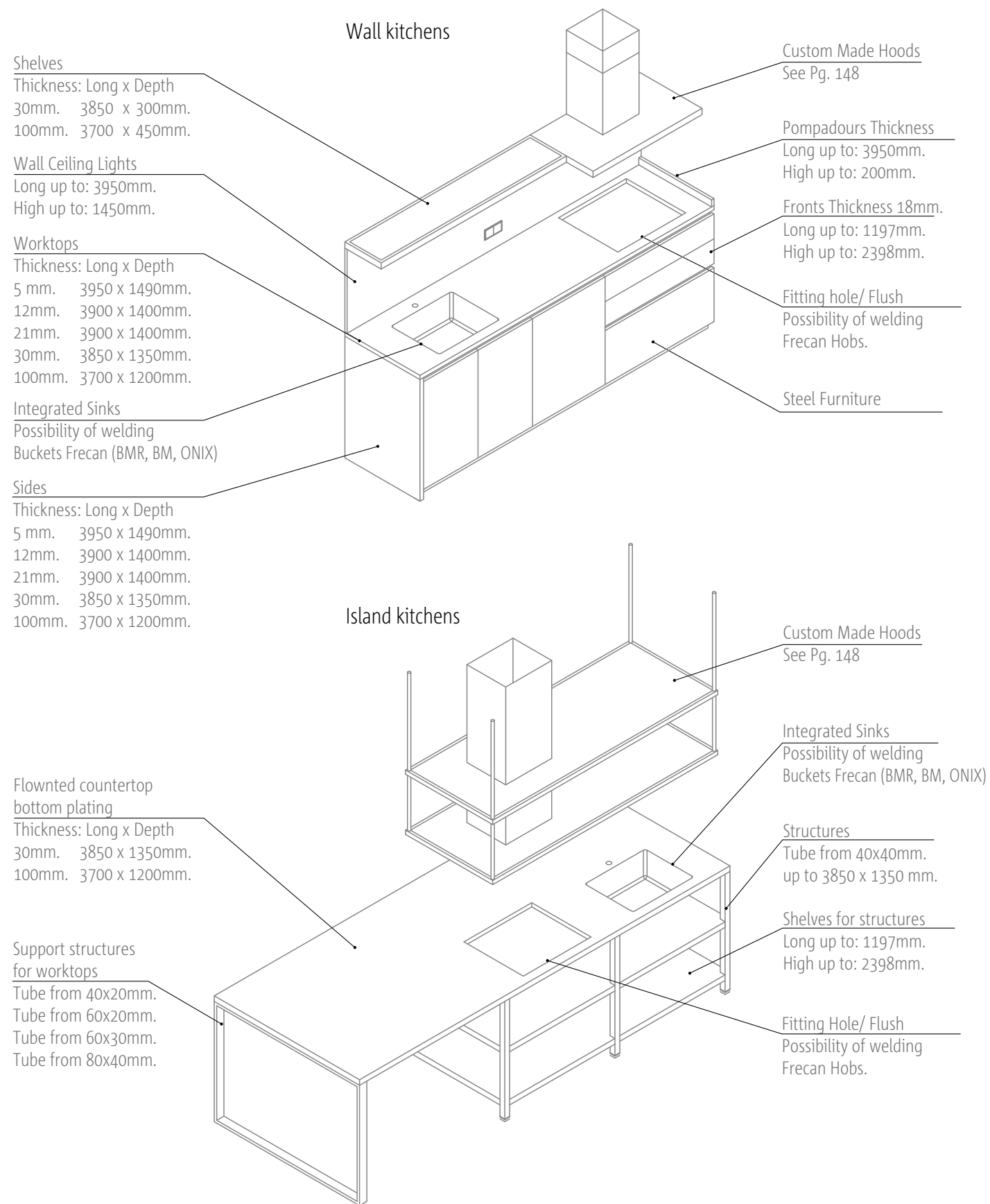
- Steel countertops.
- Steel doors.
- Steel rear panels.
- Drawer fronts.
- Tubular structures.
- Kitchen furniture in steel.
- Decorative shelves.
- Flushing ceramic hobs.
- Integration of gas plaques.
- Integration of accessories.
- Sink integration.

AND OF COURSE,
KITCHEN HOODS



Also consult our Frecan Water Catalog

Examples and possibilities



Outdoor kitchens in AISI 316 steel



We also manufacture in AISI 316 steel. (marine steel)
Specially created to withstand the passage of time outdoors and in particularly humid areas, including boats.

Examples

EXAMPLE OF A WALL-MOUNTED KITCHEN

- WORKTOP**
- Worktop 2430 x 620 x 30 mm.
 - Integrated sink BMR5040
 - Fitting hole
- WALL CEILING LIGHT**
- Wall ceiling light 2430 x 600 x 18 mm.
 - Hollow mechanisms
- POMPADOURS**
- Upholstery 600 x 60 x 20 mm.
 - Closed head
- SOCLE** 2400 x 100 x 20 mm.
- SHELF** 1530 x 300 x 30 mm.
- SIDE** 870 x 620 x 30 mm.
- FRONTS AND DOORS**
- Furniture stainless steel doors 900 mm.
 - 600 mm. Stainless steel furniture door.
 - Furniture drawer fronts 900 mm.
 - Furniture drawer front 900 mm.

EXAMPLE OF ISLAND KITCHEN

- WORKTOP**
- Worktop 3000 x 1200 x 30mm
 - Integrated sink BMR5040
 - Fitting hole for hob
 - Bottom plating
- FLOWNTED COUNTERTOP STRUCTURE**
- SUPPORT STRUCTURES**
- 2 structures of 1800 x 600
 - 4 shelves of 1800 x 600

EXAMPLE OF A MARINE STEEL KITCHEN

- AISI 316 WORKTOP**
- Worktop 3600 x 620 x 30 mm. 316
 - Integrated sink BTK 316
 - Fitting hole for hob
- WALL CEILING LIGHT AISI 316**
- Wall ceiling light 3600 x 600 x 18 mm.
 - Hole for mechanisms
- AISI 316 CAP**
- 2 tufts 600 x 60 x 20 mm.
 - Closed head
- AISI 316 PLINTH** 3600 x 100 x 20 mm.
- AISI 316 FURNITURE**
- Low cabinet 1 door + 1 shelf of 600 mm.
 - Base unit 2 drawers 1 drawer of 900 mm.
 - Low gabinet 2 doors + 1 shelf of 1200 mm.
 - Base cabinet with 2 drawers + 1 drawer of 900 mm.

Ask us for a budget
frecantek@frecan.com

BTK Custom sinks



The delicacy of straight lines.

Radius
0

The BTK range of undermount sinks offers an elegant design with straight lines and a zero radius, combined with a rectangular waste and overflow system that adds elegance to this range of sinks. Available in 5 sizes, the BTK range of undermount sinks covers all the needs of a large kitchen.



The rectangular overflow gives the sink a more elegant style.



Satin Finish.



Vintage Finish.

BTK Custom sinks

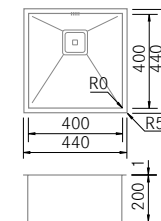
BTK-4040 standard



Ref. 30162
Finish S.Steel

UM	FS	OE	Furniture
			45

Finish: Stainless steel 18/10
Total dimensions: 440 x 440 (r=5)
Cut-out dimensions UM: 400 x 400 (r=0)
Flush dimensions FS: 441 x 441 (r=5,5)
Cut-out dimensions OE: 412 x 422 (r=3)
Bucket dimensions: 400 x 400 x 200 (r=0)
 (Space-saving siphon included)



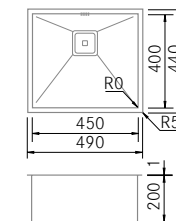
BTK-4540 standard



Ref. 30163
Finish S.Steel

UM	FS	OE	Furniture
			50

Finish: Stainless steel 18/10
Total dimensions: 490 x 440 (r=5)
Cut-out dimensions UM: 450 x 400 (r=0)
Flush dimensions FS: 491 x 441 (r=5,5)
Cut-out dimensions OE: 462 x 422 (r=3)
Bucket dimensions: 450 x 400 x 200 (r=0)
 (Space-saving siphon included)



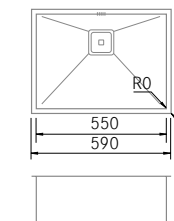
BTK-5540 standard



Ref. 30164
Finish S.Steel

UM	FS	OE	Furniture
			60

Finish: Stainless steel 18/10
Total dimensions: 590 x 440 (r=5)
Cut-out dimensions UM: 550 x 400 (r=0)
Flush dimensions FS: 591 x 441 (r=5,5)
Cut-out dimensions OE: 562 x 422 (r=3)
Bucket dimensions: 550 x 400 x 200 (r=0)
 (Space-saving siphon included)



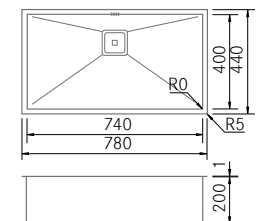
BTK-7440 standard



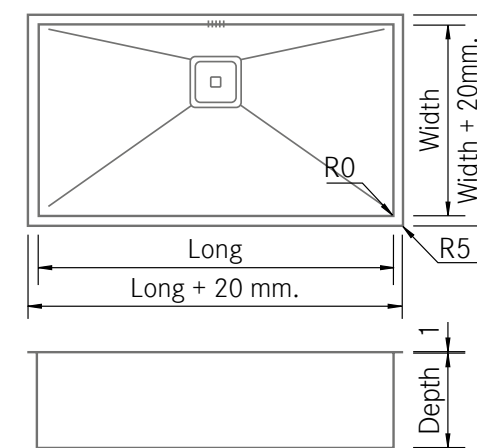
Ref. 30165
Finish S.Steel

UM	FS	OE	Furniture
			80

Finish: Stainless steel 18/10
Total dimensions: 780 x 440 (r=5)
Cut-out dimensions UM: 740 x 400 (r=0)
Flush dimensions FS: 781 x 441 (r=5,5)
Cut-out dimensions OE: 752 x 422 (r=3)
Bucket dimensions: 740 x 400 x 200 (r=0)
 (Space-saving siphon included)



Custom sinks

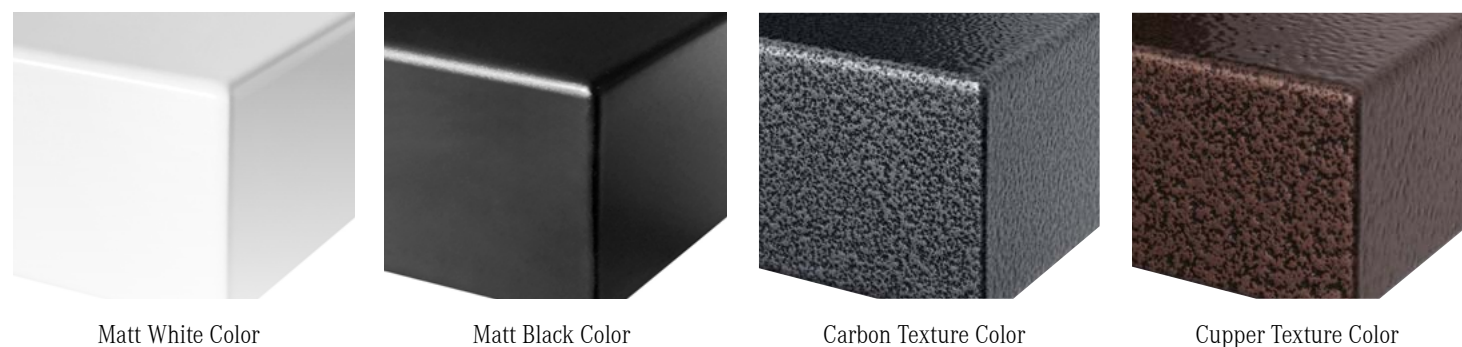


Width until 500 mm.
 Long until 1200 mm.
 Depth until 250 mm.

FrecanTEK offers its customers the chance of customizing practically any model of its hoods. In addition, we tailor-make a wide variety of models to adapt them to the most exclusive kitchens. (See p.148)



All models in the Frecan brochure can be manufactured in the following colors other than stainless steel.



Modify your hood's finish

We can paint any body of our hoods in any of the finishes described.

Color (White 9003, Black 9005 Matt Finishes)
Dimensions
600-900
901-1200
1201-1800

Color Carbon and Cupper Texture
Dimensions
600-900
901-1200
1201-1800



Delivery times of 3-4 weeks.

Choose the lighting

Dimmable LED lighting from 2700K to 6500K (Depending on model)

Lighting 2700K



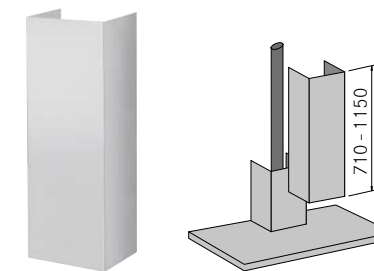
Lighting 6500K



Dimmable LED Lighting

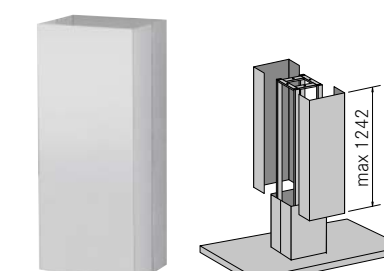
Amend your hood's height

You can add other options to your bespoke hood, such as longer decorative frames and tubes for high ceilings as well as extra braces.



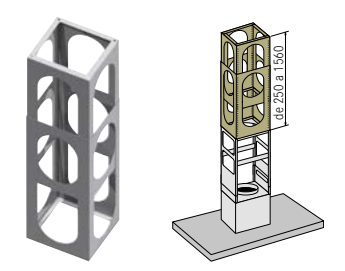
Decorative tubes (Wall Hoods)

Total Height Dimensions
Up to 1125 mm.
Up to 1565 mm
Up to 2000 mm.
Up to 2400 mm.
Up to 2800 mm.
Up to 3200 mm.
Angle cut*



Decorative tubes (Wall Hoods)

Total Height Dimensions
Up to 1430 mm.
Up to 1672 mm
Up to 2000 mm.
Up to 2400 mm.
Up to 2800 mm.
Up to 3200 mm.
Angle cut*



Metallic structures (Island hoods)

Dimensions
From 250 to 430
From 440 to 810
From 820 to 1560
Tube angle*

The height of the structures must be added to the maximum total height of the Base hood.
* Tubular angle for inclined ceilings.

Decorative tubes and metal structures in standard sizes are available in the accessories section. . Pg. 176.

Select the total tube dimension required.
Special decorative tubes replace the set included in the Base hood.
Note: In sets of stainless steel tubes from 2400mm the satin finish will be vertical.
*Angle cut top tube for sloped ceilings.

Delivery times of 2-3 weeks.

And of course custom made hoods 



FrecanTEK offers its customers the possibility of custom made manufacturing a wide variety of models to adapt them to the most demanding projects and the most exclusive kitchens. All of them also allow of course to be personalized. See page 144.

SCL SP 360 Stainless Steel



Width (mm)	Depth (mm)	Total Height (mm)	Motor
from 800 to 1000	max 500	200	R1000GP
from 1001 to 1300	max 700	200	R1000GP
from 1301 to 1500	max 800	200	R1000GP
from 1501 to 1800	max 900	200	R1000GP
from 1801 to 2000	max 1000	200	R1000GP

*Total height with R1000GP motor.
Please Check for other dimensions or **external motorizations**.

Nitro SP 360 Stainless Steel



Width (mm)	Depth (mm)	Total Height (mm)	Motor
from 800 to 1000	max 500	200	R1000GP
from 1001 to 1300	max 700	200	R1000GP
from 1301 to 1500	max 800	200	R1000GP
from 1501 to 1800	max 900	200	R1000GP
from 1801 a 2000	max 1000	200	R1000GP

*Total height with R1000GP motor.
Please Check for other dimensions or **external motorizations**.

Integratta SP Stainless Steel



Width (mm)	Depth (mm)	Body Height (mm)	Motor
from 600 to 900	from 300 to 350	from 360 to 480	1100GP
from 901 to 1200	from 300 to 350	from 360 to 480	1100GP
from 1201 to 1500	from 300 to 350	from 360 to 480	1100GP

Please Check for other dimensions or **external motorizations**.

Vigor SP Stainless Steel



Width (mm)	Depth (mm)	Motor
from 600 to 900	from 295 to 392	1100GP
from 901 to 1200	from 295 to 392	1100GP

Please Check for other dimensions or **external motorizations**.

GA SP Stainless Steel



Width (mm)	Depth (mm)	Motor
from 600 a 900	from 300 to 450	VF700GP
from 901 a 1200	from 300 to 450	1100GP
from 1201 a 1500	from 300 to 450	1100GP
from 1501 a 1800	from 300 to 450	1100GP
from 1801 a 2100	from 300 to 450	1100GP

Please Check for other dimensions or **external motorizations**.

Bespoke Hoods



Master SP Stainless Steel



Width (mm)	Depth (mm)	Body Height (mm)	Total Height (mm)	Motor
from 600 to 900	520	180	from 750 to 1130	1100GP
from 901 to 1200	520	180	from 750 to 1130	1100GP
from 1201 to 1500	520	180	from 750 to 1130	1100GP
from 1501 to 1800	520	180	from 750 to 1130	1100GP
from 1801 to 2100	520	180	from 750 to 1130	1100GP

For higher heights and other finishes, consult the customization section. Pg. 144.
Please Check for other dimensions or **external motorizations**.

Fine SP Stainless Steel



Width (mm)	Depth (mm)	Body Height (mm)	Total Height (mm)	Motor
from 600 to 900	from 480 to 600	45	from 585 to 1000	1100GP
from 901 to 1200	from 480 to 600	45	from 585 to 1000	1100GP
from 1201 to 1500	from 480 to 600	45	from 585 to 1000	1100GP

Para alturas superiores y otros acabados consultar el apartado de personalización. Pg. 144.
Please Check for other dimensions or **external motorizations**.

Mercury SP Stainless Steel



Width (mm)	Depth (mm)	Body Height (mm)	Total Height* (mm)	Motor
from 600 to 900	from 480 to 650	from 45 to 120	from 540 to 955	1100GP
from 901 to 1200	from 480 to 650	from 45 to 120	from 540 to 955	1100GP
from 1201 to 1500	from 480 to 650	from 45 to 120	from 540 to 955	1100GP
from 1501 to 1800	from 480 to 650	from 60 to 120	from 540 to 955	1100GP
from 1801 to 2100	from 480 to 650	from 80 to 120	from 540 to 955	1100GP

Double motor

from 1500 to 1800	from 480 to 700	from 80 to 120	from 540 to 955	1100GP
from 1801 to 2100	from 480 to 700	from 80 to 120	from 540 to 955	1100GP
from 2101 to 2400	from 480 to 700	from 80 to 120	from 540 to 955	1100GP
from 2401 to 2700	from 480 to 700	from 80 to 120	from 540 to 955	1100GP
from 2701 to 3000	from 480 to 700	from 80 to 120	from 540 to 955	1100GP

* Total tube height adjustable without counting the body.
For higher heights and other finishes, consult the customization section. Pg. 144.
Please Check for other dimensions or **external motorizations**.

Bespoke Hoods



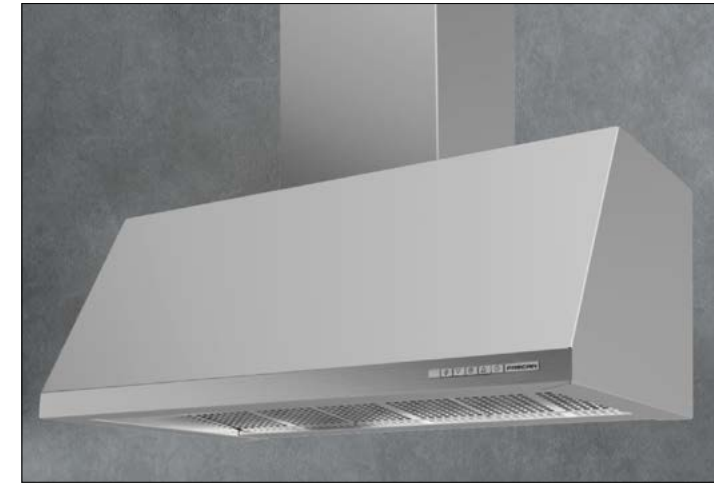
Square SP Stainless Steel



Width (mm)	Depth (mm)	Body Height (mm)	Total Height (mm)	Motor
from 600 to 900	from 420 to 600	max. 900	from 1190 to 1470	1100GP
from 901 to 1200	from 420 to 600	max. 900	from 1190 to 1470	1100GP
from 1201 to 1500	from 420 to 600	max. 900	from 1190 to 1470	1100GP

Please Check for other dimensions or **external motorizations**.

Keops SP Stainless Steel



Width (mm)	Depth (mm)	Body Height (mm)	Total Height (mm)	Motor
from 600 to 900	from 480 to 650	350	from 890 to 1310	1100GP
from 901 to 1200	from 480 to 650	350	from 890 to 1310	1100GP
from 1201 to 1500	from 480 to 650	350	from 890 to 1310	1100GP
from 1501 to 1800	from 480 to 650	350	from 890 to 1310	1100GP

For higher heights and other finishes, consult the customization section. Pg. 144.
Please Check for other dimensions or **external motorizations**.

Keops Prof SP Stainless Steel



Width (mm)	Depth (mm)	Body Height (mm)	Total Height (mm)	Motor
from 600 to 900	520	400	from 940 to 1360	1100GP
from 901 to 1200	520	400	from 940 to 1360	1100GP
from 1201 to 1500	520	400	from 940 to 1360	1100GP
from 1501 to 1800	520	400	from 940 to 1360	1100GP

For higher heights and other finishes, consult the customization section. Pg. 144.
Please Check for other dimensions or **external motorizations**.

Bespoke Hoods



Fine SP Island Stainless Steel



Width (mm)	Depth (mm)	Body Height (mm)	Total Height (mm)	Motor
from 600 to 900	from 550 to 660	45	from 835 to 1185	1100GP
from 901 to 1200	from 550 to 750	45	from 835 to 1185	1100GP
from 1201 to 1500	from 550 to 750	45	from 835 to 1185	1100GP

For higher heights and other finishes, consult the customization section. Pg. 144. Please Check for other dimensions or **external motorizations**.

Mercury SP Island Stainless Steel



Width (mm)	Depth (mm)	Body Height (mm)	Total Height* (mm)	Motor
from 600 to 900	from 480 to 660	from 45 to 120	from 540 to 955	1100GP
from 901 to 1200	from 480 to 660	from 45 to 120	from 540 to 955	1100GP
from 1201 to 1500	from 480 to 660	from 45 to 120	from 540 to 955	1100GP
from 1501 to 1800	from 480 to 700	from 60 to 120	from 540 to 955	1100GP
from 1801 to 2100	from 480 to 750	from 80 to 120	from 540 to 955	1100GP

Double motor

from 1501 to 1800	from 480 to 700	from 80 to 120	from 540 to 955	1100GP
from 1801 to 2100	from 480 to 700	from 80 to 120	from 540 to 955	1100GP
from 2101 to 2400	from 480 to 700	from 80 to 120	from 540 to 955	1100GP
from 2401 to 2700	from 480 to 700	from 80 to 120	from 540 to 955	1100GP
from 2701 to 3000	from 480 to 700	from 80 to 120	from 540 to 955	1100GP

* Total tube height adjustable without counting the body. For higher heights and other finishes, consult the customization section. Pg. 144. Please Check for other dimensions or **external motorizations**.

Shelf for Fine SP and Mercury SP Island Stainless Steel



Width (mm)	Depth (mm)	Thickness (mm)
from 1500 to 1800	from 480 to 1000	from 30 to 90
from 1801 to 2100	from 480 to 1000	from 30 to 90
from 2101 to 2400*	from 480 to 1000	from 30 to 90
from 2401 to 2700*	from 480 to 1000	from 30 to 90
from 2701 to 3000*	from 480 to 1000	from 30 to 90
from 3001 to 3300**	from 480 to 1000	from 30 to 90

Other finishes consult the customization section. Pg. 144.

*From 2400 with 4 braces.

**From 3000 with 6 braces.

Bespoke Hoods



iCustom SP Black



Width (mm)	Depth (mm)	Body Height (mm)	Total Height* (mm)	Motor
Applicant				
from 1500 to 1800	647	30	up to 1000	ST8
from 1801 to 2100	647	30	up to 1000	ST8
from 2101 to 2400	647	30	up to 1000	ST8
Filtrante				
from 1500 to 1800	647	30	up to 1000	ST8
from 1801 to 2100	647	30	up to 1000	ST8
from 2101 to 2400	647	30	up to 1000	ST8

*Only height modification +€300 on the standard model price.

*The measurement of the suction area is not modifiable.



We also manufacture fully custom hoods.



IMAGINE

Imagine that original and distinguished piece for your project.

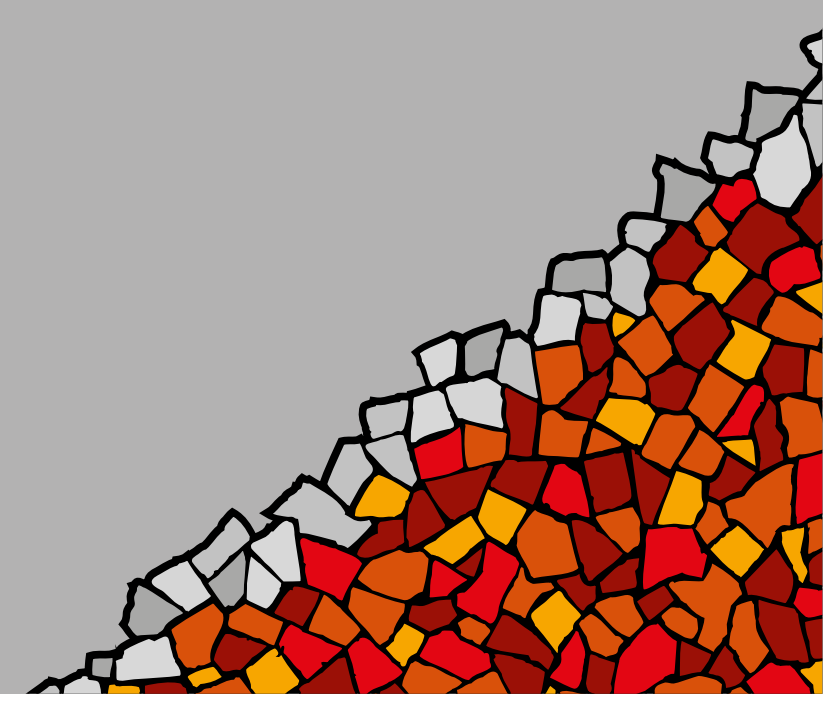
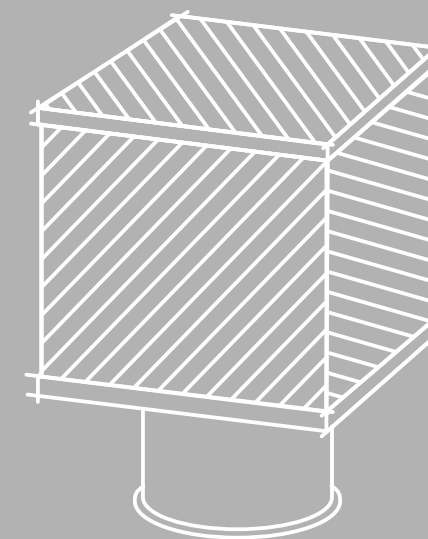


DRAW

Tell us what you want to build, and our designers will make it happen.

frecan, \IR

Purification systems



A strong commitment to recirculation systems



Frecan air purification systems are the perfect ally to guarantee the highest quality of air in the home.

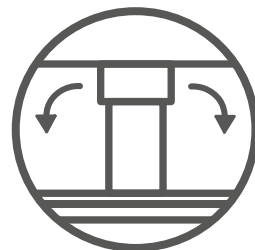
Advantages of recirculation



SAVING AND ENERGY COMMITMENT. It conserves energy (warm/cold) inside the home and helps reduce the ecological impact on the environment.



IMPROVEMENT IN AIR QUALITY. It purifies the environment of mites, pollen, animal hair, allergens and other harmful particles, considerably improving the quality of the air we breathe.



NO EXTERNAL OUTLET NEEDED. It is the most eco-friendly alternative on the market thanks to its installation without a smoke outlet to the outside. The air is returned to the home totally clean. It is the ideal option for a Passivhaus or efficient house.

More than a simple vacuum system



In the world of cooking, extraction options have always focused on traditional extraction with an external outlet. As an alternative, there is recirculation. A purification system that does not need to expel the fumes to the outside. It simply absorbs them and returns them home properly filtered.

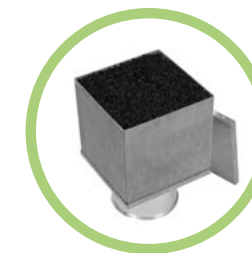
Frecan has 4 recirculation systems

FrecanAIR Plasma



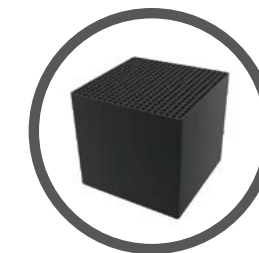
Pages 158-165

Activated Carbon FC-Plus



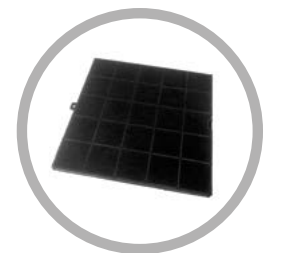
Pages 166-169

Ceramic Cubes



Pages 170-171

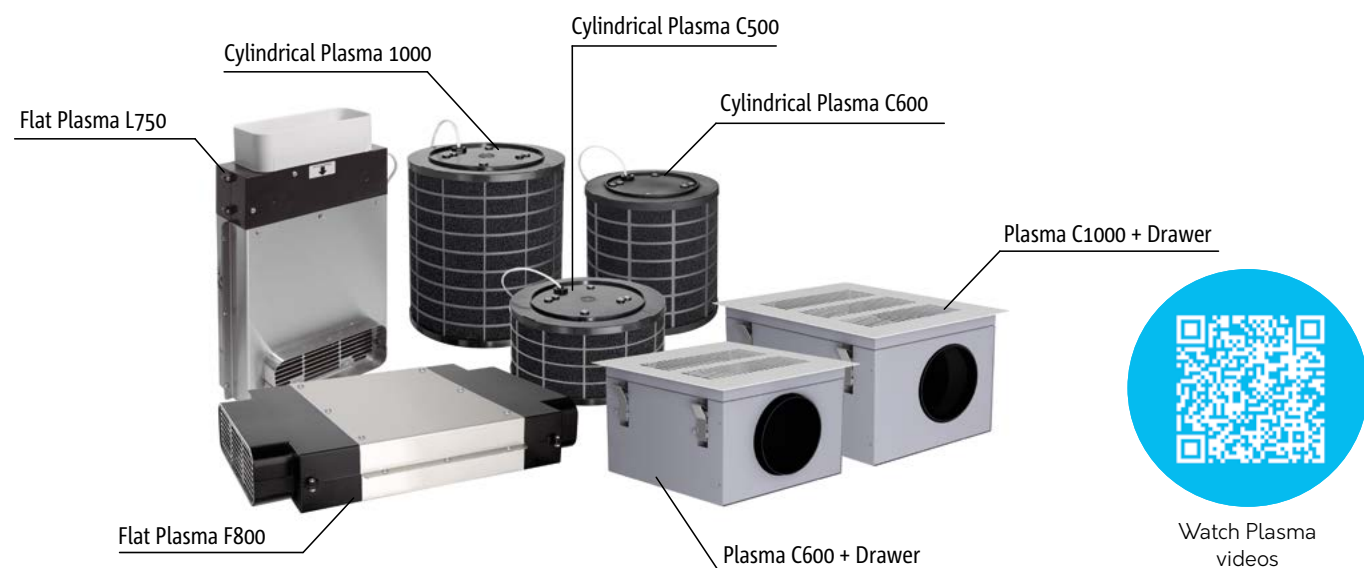
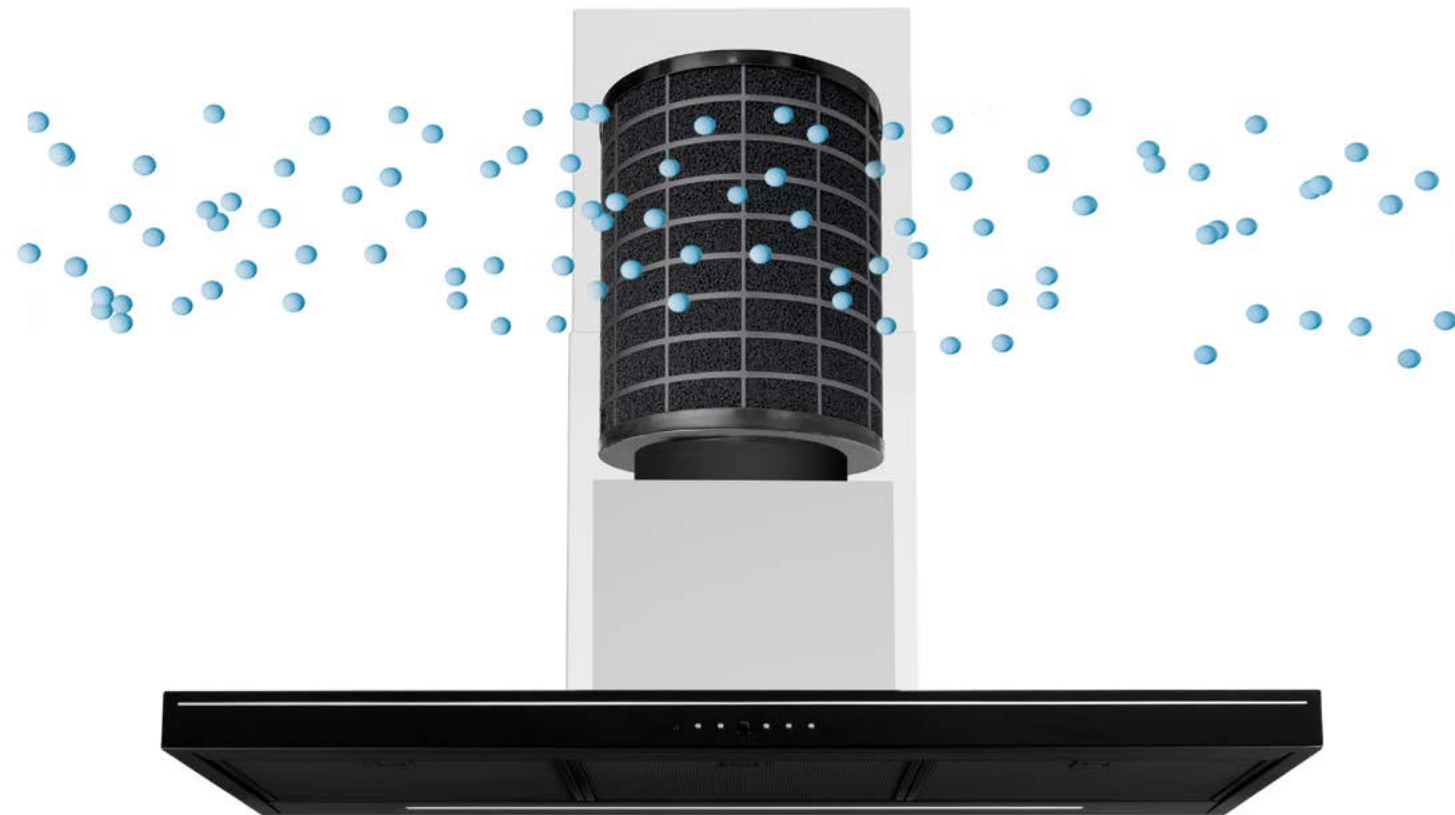
Standard Carbon



Page 172

Eliminates 98% of odors, fumes and pollutants

Plasma is the most effective and innovative recirculation alternative on the market. Through chemical reactions, it changes the composition of the molecules of the polluted air, thus purifying 98% of the particles.



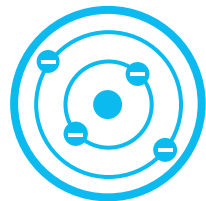
Filtration through the Plasma system is an electrical process.

Freca Plasma filters have been developed to be installed in any hood. Its purification process is more complex than that of traditional recirculation, for this reason, it is also the only filter that removes fine particles.



- 1 ANTI-GREASE FILTER**
When the hood is activated, the airflow is pushed into the grease filter, which is responsible for retaining grease and other dense particles.
- 2 ELECTRIC DISCHARGE**
When the air reaches the Plasma filter, an internal sensor activates a series of electrical discharges that modify the molecular structure of the harmful particles.
- 3 CHEMICAL REACTIONS**
Next, chemical reactions are triggered that break down odour molecules, pollen, etc. and they eliminate them permanently.
- 4 ACTIVATED CARBON FILTER**
Finally, the air is filtered again through the activated carbon, releasing only oxygen, CO2 and humidity.

Advantages of FrecanAir Plasma

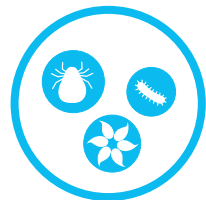


NEGATIVE IONIZATION SOURCE.

The waterfalls, the sea, etc. They are a source of negative ions that contribute positively to our body, improving its functioning. Plasma acts in a similar way since it also releases negative ions, helping to improve our body as well.



- Improves quality of life.
- It favors our body.

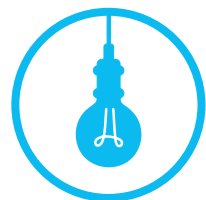


REMOVES 98% OF PARTICLES.

Smells, viruses, pollen, allergens, VOC.. Plasma does not release ozone during the process. (Confirmed by VDE and IUTA certification)



- Total air purification.
- Elimination of pathogens and other harmful particles.



LOW CONSUMPTION.

Low energy consumption without the need for filter cleaning or renewal.



- Cost savings.
- Minimum maintenance. (Self-Cleaning function)



EASY INSTALLATION.

Adaptable to all types of hoods.



- Easy to use and install.

Advantages of FrecanAir Plasma

15
YEARS OF
USEFUL-LIFE*

5
YEARS OF
WARRANTY

100%
SELF-CLEANING

14%
REDUCTION IN
RUMOROSITY

The Frecan Plasma Filter helps to keep the environment clean of harmful particles (Parasites, mites, tobacco smoke, pollen..) that mainly affect children and animals.

Filter certified by:

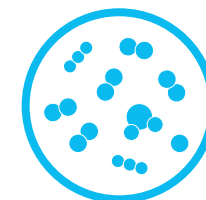


THE MOST DURABLE RECIRCULATION SYSTEM.

Up to 15 years of operation without the need for replacement.



- No expense for filter replacement.
- Long useful life.



FILTERS THE FINE PARTICLES.

It is the only filter capable of purifying fine particles.



- Guarantees maximum air filtration.



EASY MAINTENANCE.

Activated carbon regenerates itself at the end of the Plasma electrical process. It is always kept clean and free of contaminants.



- It does not require cleaning.
- No maintenance costs.



14% REDUCTION OF RUMOROSITY.

It acts as a silencer, reducing up to 14% of the noise produced. In addition, it allows to eliminate or simplify the ducts in the installation.



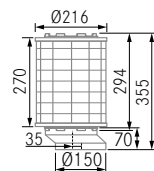
- Silent home.
- Simple installation.

PLASMA Filter

freca*n*.AIR

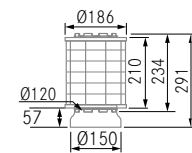
Cylindrical Plasma C1000*

Reference: 90371
Maximum 1000 m³/h



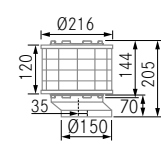
Cylindrical Plasma C600

Reference: 90372
Maximum 600 m³/h

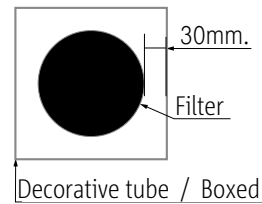


Cylindrical Plasma C500

Reference: 90385
Maximum 500 m³/h

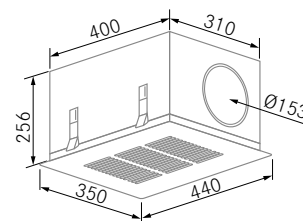


The Cylindrical Plasma filters extract air around its perimeter reducing friction and pressure. Thus, it is recommended to leave a minimum of 30 mm between the filter and the decorative chimney to guarantee a good air circulation all around the plasma filters.



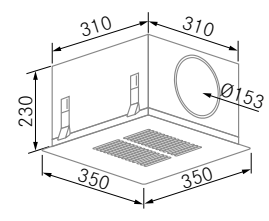
Plasma C1000 + Drawer

Reference: 90412
Maximum 1000 m³/h
Cut-out dimension: 410 x 320 mm
Color Grid: White
Dissociable Maximum 3m.



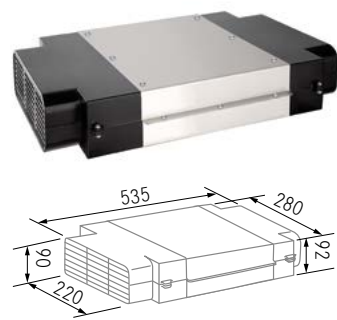
Plasma C600 + Drawer

Reference: 90410
Maximum 600 m³/h
Cut-out dimension: 320 x 320 mm
Color Grid: White
Dissociable Maximum 3m.



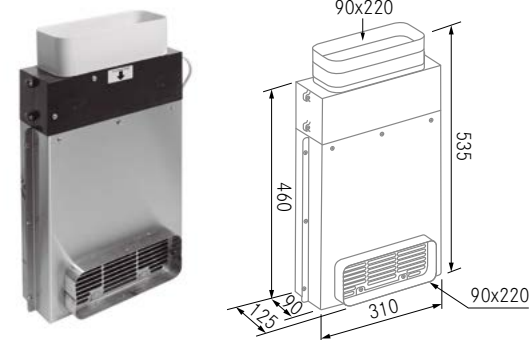
Flat Plasma F800

Reference: 90373
Maximum 800 m³/h
Dissociable Maximum 3m.



Flat Plasma L750

Reference: 90413
Maximum 750 m³/h



* Installation of the product is only recommended for Frecan hoods.
Freca*n* is not responsible for the installation and use of the product on hoods from other manufacturers.



Odor extraction test according to DIN EN13725:2003 standard
Results in a filter odor reduction factor:

Plasma C1000 | 90371

96,5 %

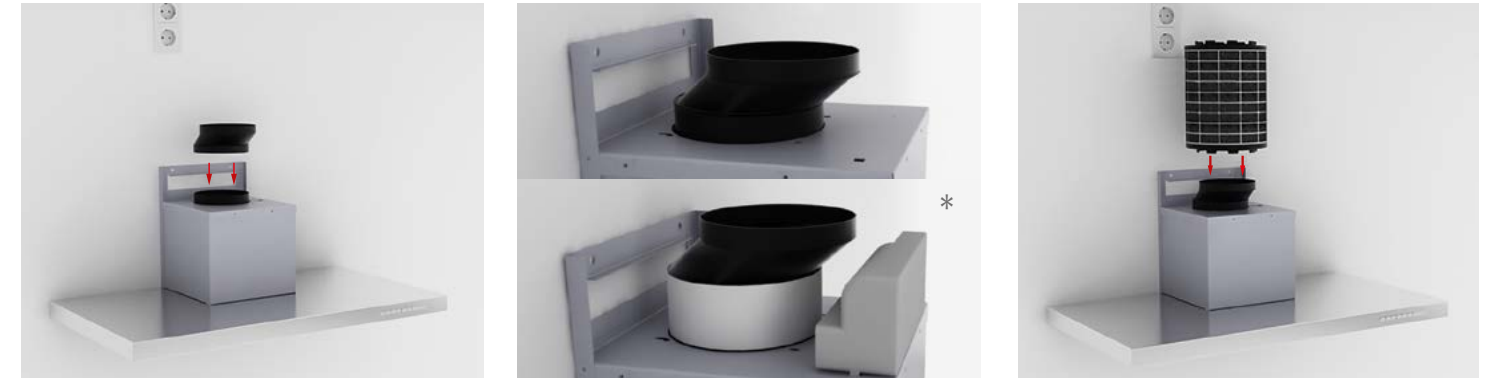
At Freca*n*, we don't like broken promises, we like to offer the best quality to trust on promises fulfilled.

See full certificate in QRs.

PLASMA Filter

freca*n*.AIR

Installation example of the plasma system C500, C600 and C1000 for built-in, wall and Island Hoods.



Recommendations: In wall and Island Hoods aside from making sure that the upper tubes have the corresponding air grill, it is recommended to leave a small space between the ceiling and the decorative tube to facilitate correct air circulation.

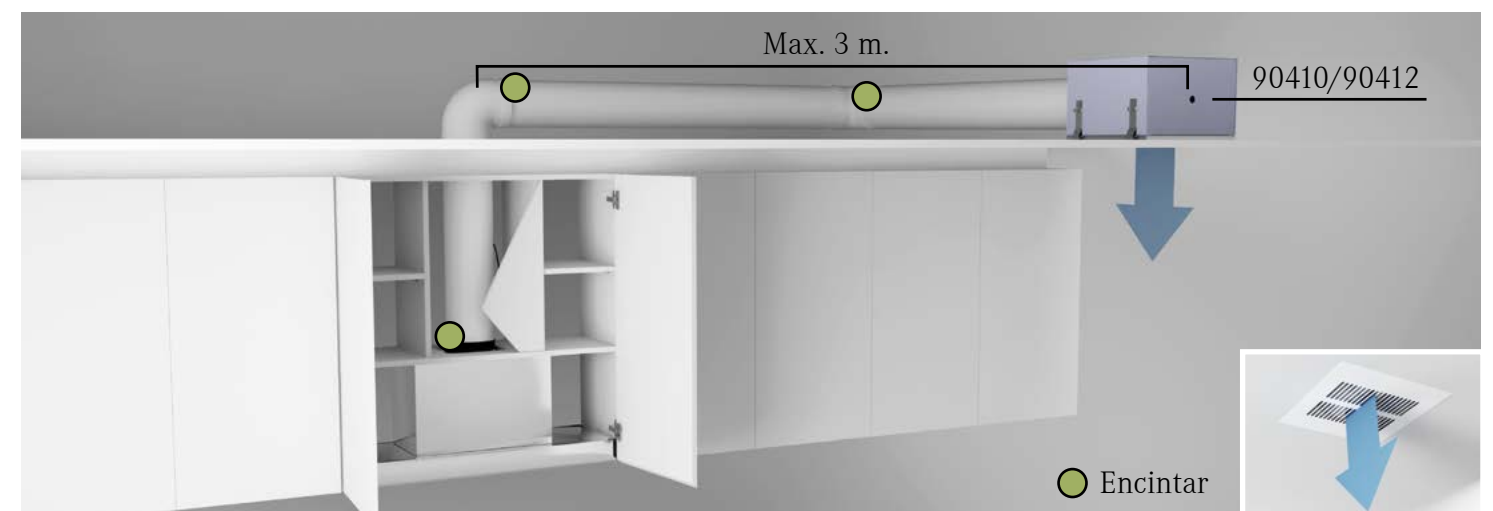
* On Mercury, Fine, Qfine, White, Black y Stream models, for the installation of the cylindrical plasma filter C1000 (90371) and C500 (90385) the use of accessory 90198 is necessary.

Installation example of the plasma system C500, C600 y C1000 for built-in hoods.



In built-in hoods, special attention to the dimension of the cabinet casing, min 30 mm. per side so that the plasma can expel the filtered air. The furniture cannot reach the ceiling, and if the furniture is closed to the ceiling, a grill must be placed.

Installation example of the plasma system C600 o C1000 + Ceiling Drawer for built-in, wall and island hoods.

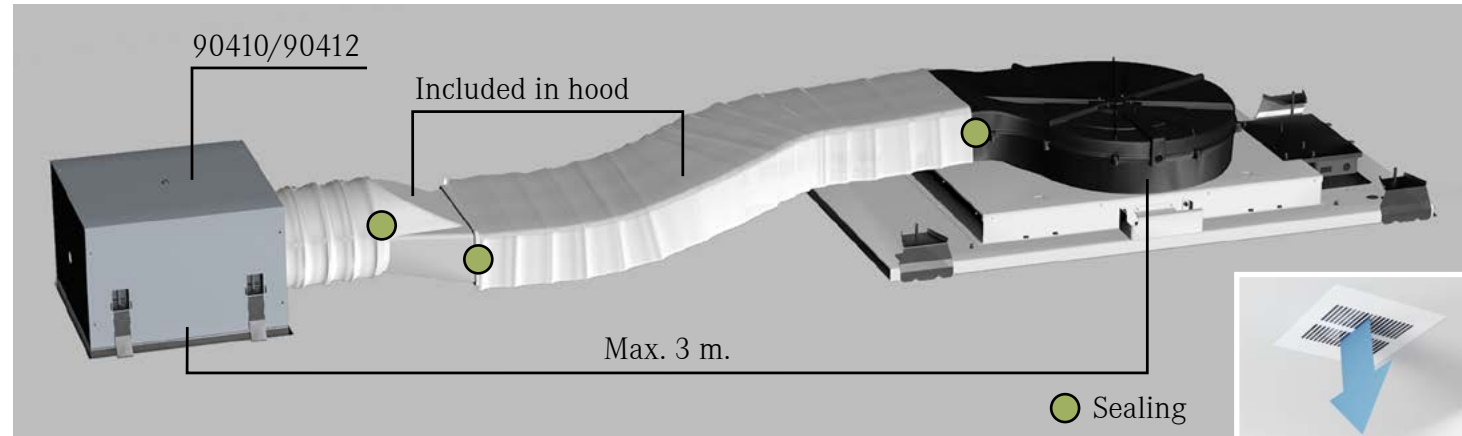


In built-in hoods with false ceilings, the Plasma C600 + Drawer or C1000 + Drawer can also be installed in the false ceiling. To do this, simply lead the air outlet through the false ceiling up to the location of the Plasma Filter. For optimum performance, it is recommended to move the plasma filter as far away as possible without exceeding 3m.

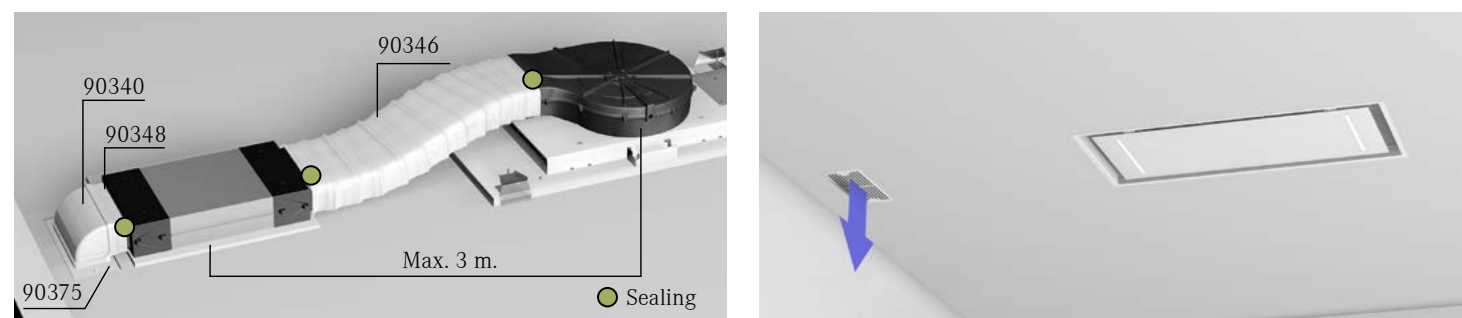
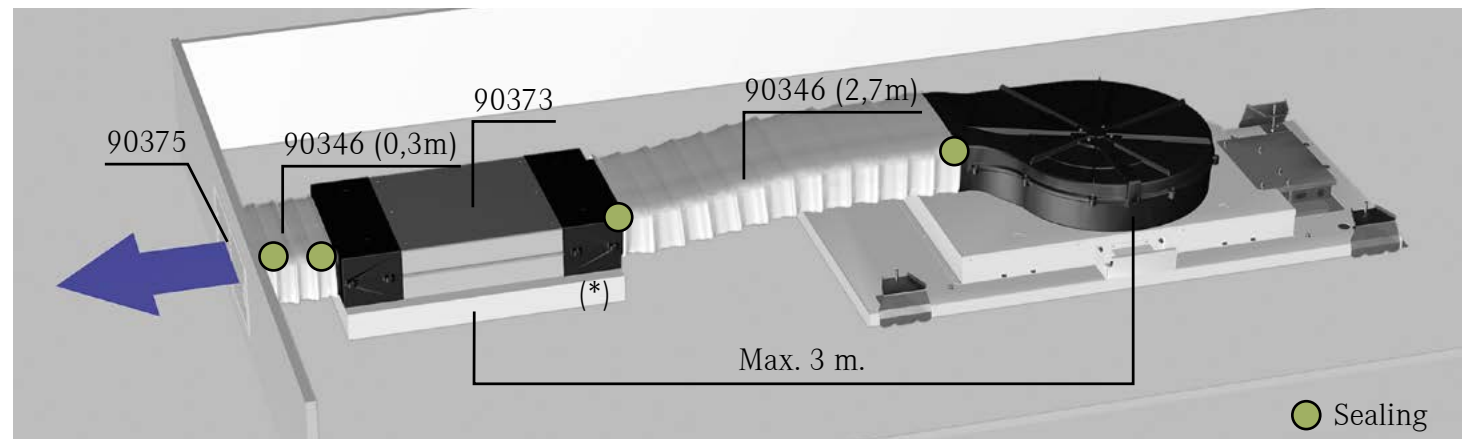
IMPORTANT: Do not install non-return valves on the engine outlet. If these are included in the engine, they must be disassembled and removed before fitting the Plasma filter.

Indispensable recommendation: Turning on the recirculation hoods 10 minutes before cooking ensures the generation of adequate flow for recirculation as well as reducing possible humidity accumulated in the filter. Leaving the hood running at minimum speed between 10-30 minutes after cooking will guarantee a total cleaning of odors in the kitchen.

Installation examples of the plasma system C600 + Drawer or C1000 + Ceiling Drawer with Ceiling Hood.



Installation examples of the plasma system F800 + Ceiling grid with Ceiling Hoods 360°



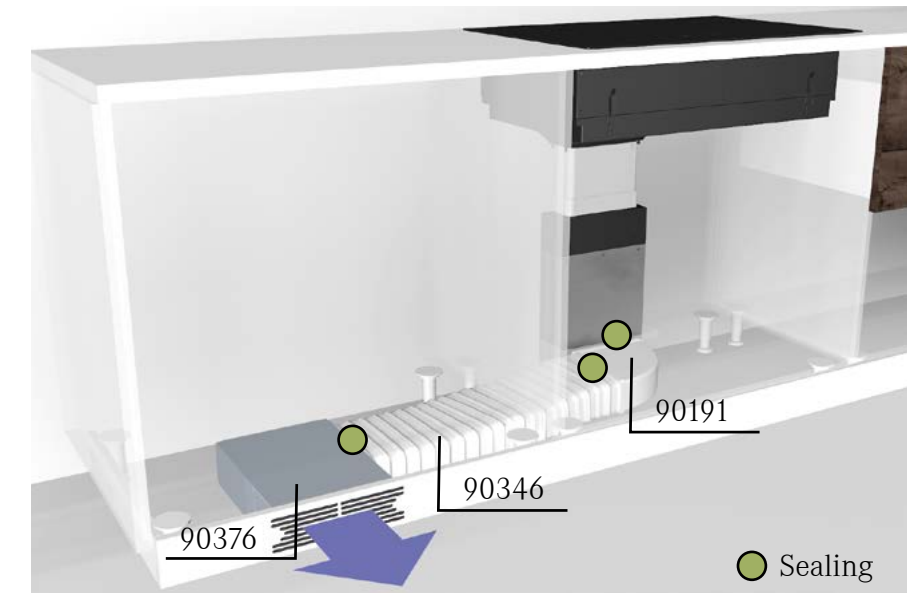
* Depending on the thickness of the suspended ceiling and the location of the grid, it might be necessary to use the F800 filter.
 Te use of a soft material that absorbs possible vibrations is recommended.
IMPORTANT: It is necessary to leave a hatch on the ceiling to access the filter and to avoid having to dismantle the hood in case of servicing.

General recommendations:
 For an optimal operation, it is advisable to place the filter as far as possible from the hood, without exceeding 3m. Thus, the air extracted by the hood reaches the filter at a lower speed increasing the filtration ratio considerably. For this same reason, it is recommended to use low extraction speeds when having a recirculation system: the more time the air stays inside the filter, the higher will be the filtering and purification ratio.
 In recirculation systems, more suction power does not imply greater air cleaning or purification, but on the contrary, it implies speeding up the number of cycles / renewals inefficiently. The intentional use of low speeds will ensure the best filtering standards. Operating at a second speed (on average 350-400m³/h) will bring the best results.

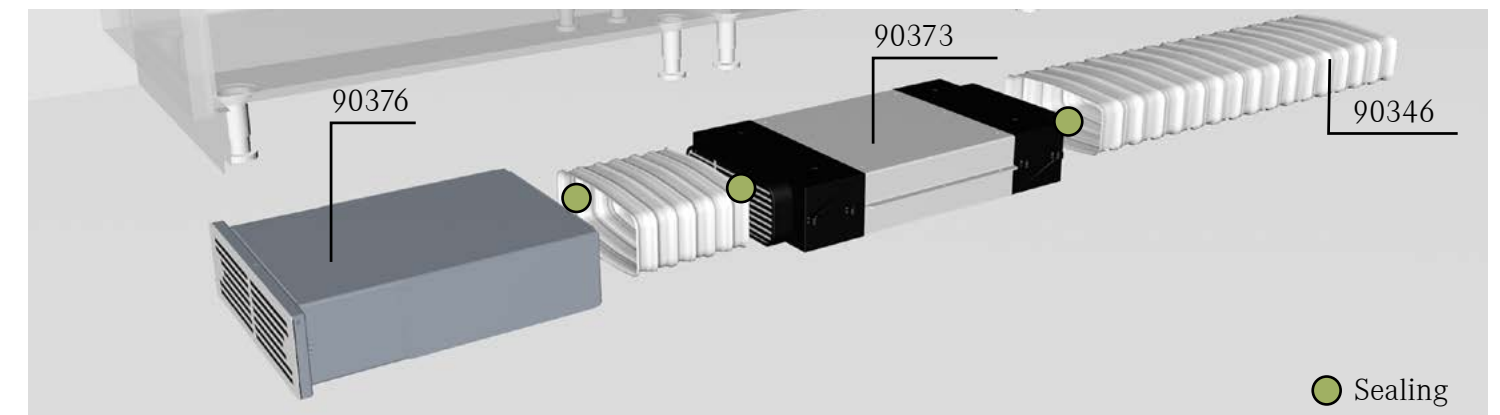
Installation example of the plasma system L750 + Drawer grid to socle (for Flow 5)

Recommendations: For optimum operation, it is advisable to channel the plasma outlet to the outside of the cabinet.
 Place the grille in an area away from the work position to prevent disturbing your own feet with the air sent back to the room.

The plinth grille is designed to channel in a straight line or at a 90° angle to suit any need.



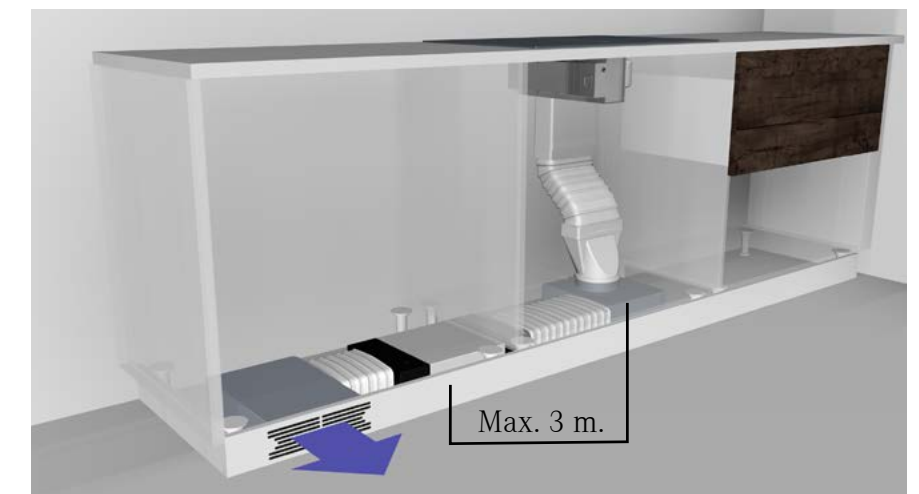
Installation example of the plasma system F800 + Drawer grid to socle (for Flow 5)



Recommendations: For optimum operation, it is advisable to place the filter as far as possible from the hood, without exceeding 3m.

Place the grille in an area away from the work position to prevent disturbing your own feet with the air sent back to the room.

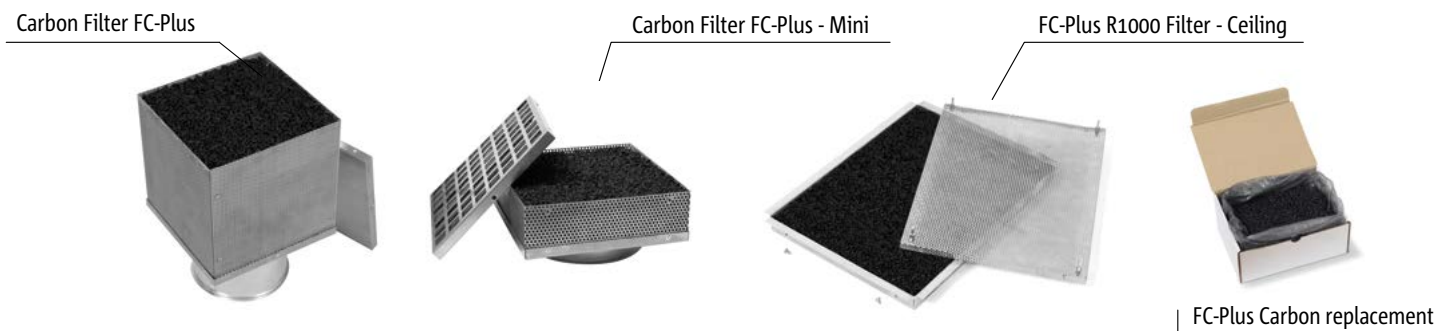
The plinth grille is designed to channel in a straight line or at a 90° angle to suit any need.



FC-Plus - Naturally



FC-Plus filters use the most natural material for air purification. Activated mineral carbon in the form of a pellet of 8x4 mm in diameter. Thanks to its dimensions, they make it the perfect pellet to achieve a total cleaning of the air. They have a great capacity to filter odours and harmful elements such as acids, nicotine and alcohol, among others. The FCPlus system is original and is created and developed by Frecan.



HIGHER GRAMMAGE, LONGER USEFUL-LIFE.

It incorporates more amount of carbon than traditional carbon filters (up to 2.3kgs). For this reason, it absorbs 7 to 10 times more and allows two possible regenerations with a useful life per regeneration* of 12 months and allowing it to be recharged as many times as desired.



ECO-FRIENDLY MATERIAL.

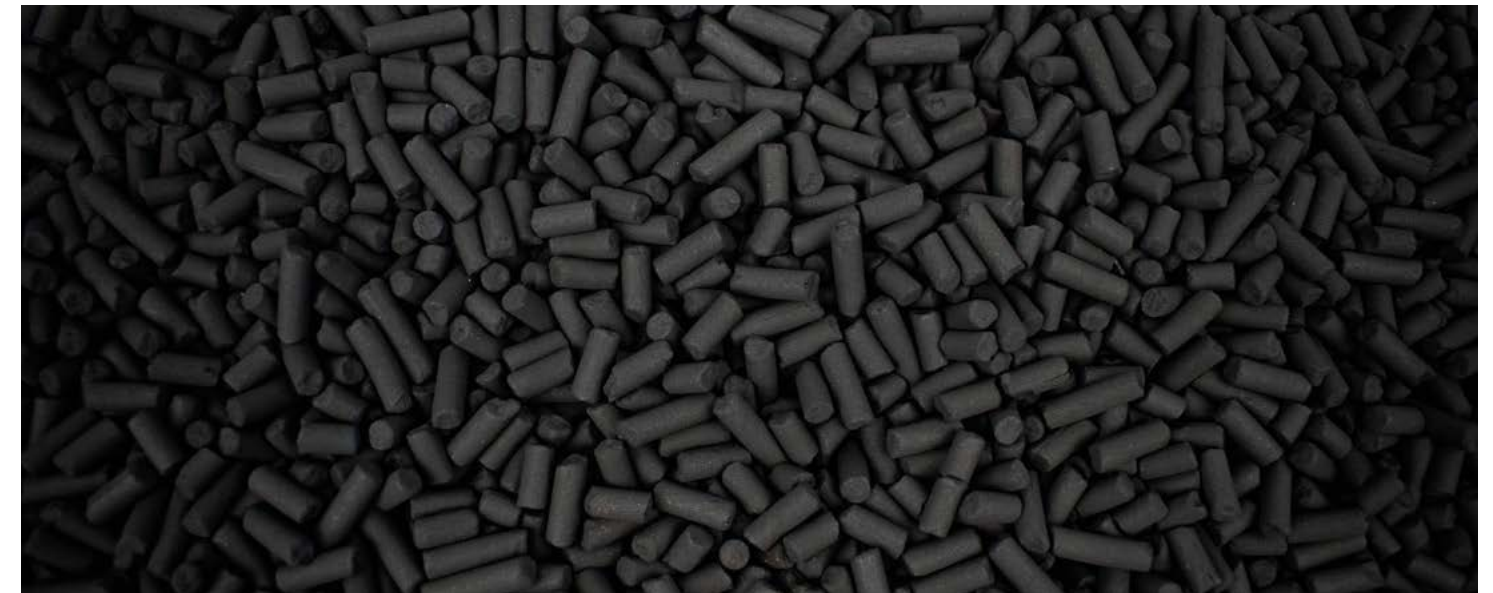
The filter carbon is extracted from nature and, once its useful-life in the home ends, it can be regenerated at high temperatures allowing a new indefinite use until its own natural organic degradation.



WATER PURIFIER.

Pellets are also a widely used resource in water purification plants for the treatment and cleaning of it. Its virtues as a purifier go beyond air.

Genuine system made by FrecanAir



Advantages of FC-PLUS filters



REGENERABLE AND RECHARGEABLE.

FC-Plus can be regenerated* up to two times in the oven and can be recharged again while maintaining its outer metal structure.



- Long durability
- Economic maintenance



BIODEGRADABLE.

Once the pellets are saturated, the carbon is fully recycled through a green dot, recovering the material at high temperatures.



- Its life cycle is complete.
- It does not regenerate waste.



EASY MAINTENANCE.

During their life cycle, they do not need maintenance or cleaning.



- Comfort and well-being.
- No cost (during its useful life).



LONG USEFUL-LIFE.

The FC-Plus filters, with their two regenerations, have a useful life of up to 5 years**. However, as they are rechargeable, they can be refilled as many times as you want.



- The entire filter is not changed.
- It does not pollute or regenerate waste.

* Regeneration: put filter in the oven for 1 hour at a temperature between 200° and 250°.

** According to a statistical use based on an operation of 1h per day (3 years in FC-Plus-ceiling model).

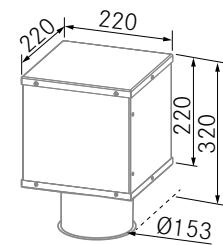
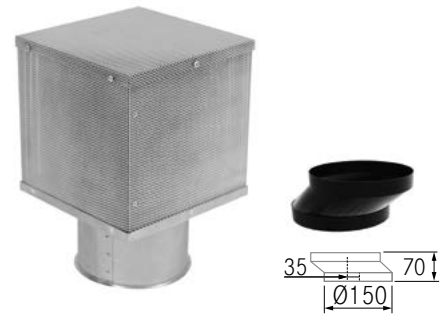
FC-PLUS Filter



Carbon Filter FC-Plus

Reference: 90381

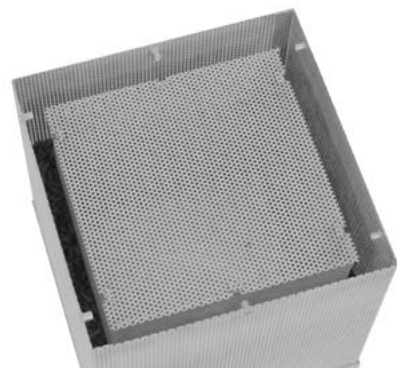
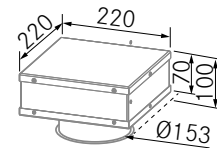
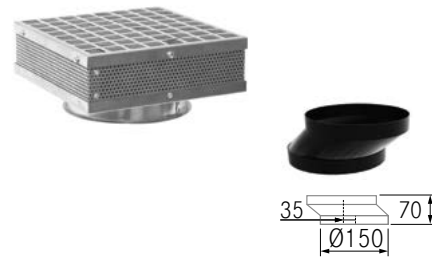
Includes eccentric connector.



Carbon Filter FC-Plus Mini

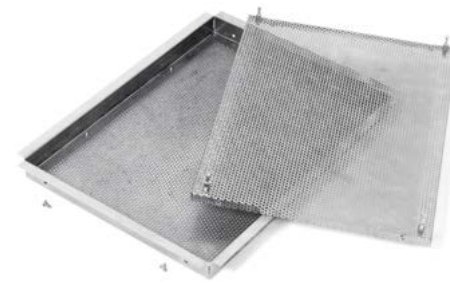
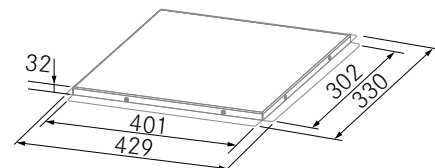
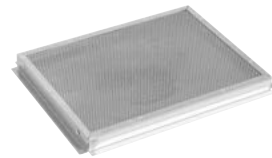
Reference: 90369

Includes eccentric connector.



Ceiling Carbon Filter FC-Plus

Reference: 90384



The FC-Plus and FC Plus Ceiling filters are designed with responsibility and sustainability for the planet. It allows its regeneration by inserting the filter in the oven for 1 hour at a temperature between 200° and 250°. The entire filter should not be replaced. The user may purchase of activated carbon pellets as a spare. Its replacement is very simple. You only have to remove the top cover, discard the carbon inside the filter and replace it with the new one and enjoy 5 years of filtering again. (3 in FC-Plus Ceiling and mini)

Carbon Refill

Reference	Quantity	Filter
90379	2,5 Kg	FC-Plus
90386	1,45 Kg	FC-Plus Ceiling/Mini



Odor extraction test according to EN 61591:2020 + A11:2020 standard.
Results in a filter odor reduction factor:

FC-Plus | 90381 FC-Plus Mini | 90369 FC-Plus Ceiling | 90384

88,6 %



53,6 %



66,15 %



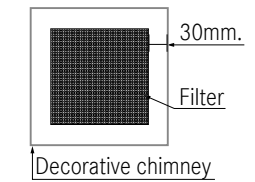
At Frecan, we don't like broken promises, we like to offer the best quality to trust on promises fulfilled. See full certificates in QRs.

Transporte: Los portes son pagados up to su destino, salvo en aquellos pedidos inferiores a 200 € donde se aplicará un cargo de 20 € en España y 25 € en Portugal.

FC-PLUS Filter



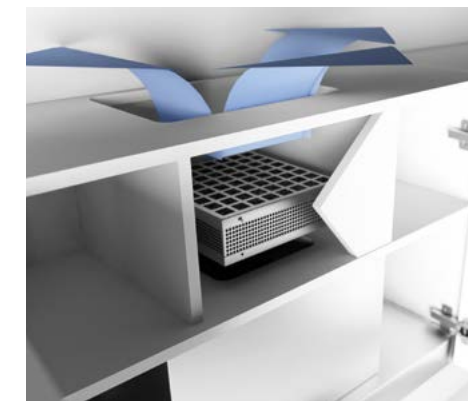
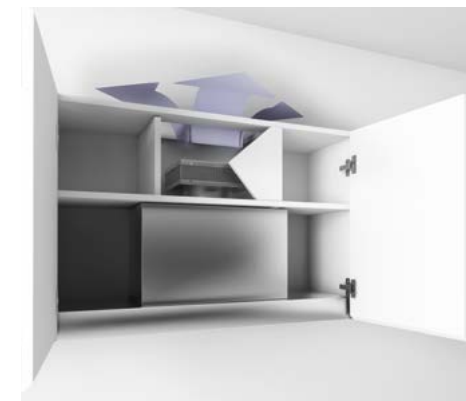
FC-Plus Installation



The FC-Plus carbon filter can be installed at the engine outlet or it can be installed on a delayed basis.

It extracts the air around its perimeter thus reducing friction and pressure, for this reason, for a good air circulation at the outlet of the filters, it is recommended to leave a minimum of 30 mm. between the filter and the decorative tube or the casing.

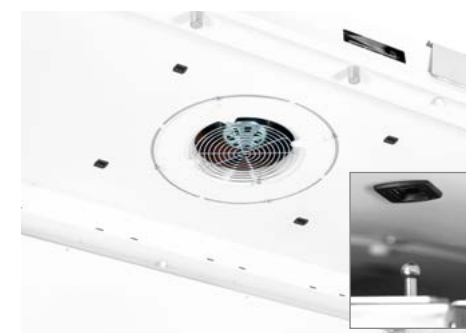
FC-Plus Mini Installation



For good air circulation at the filter outlet, it is recommended to leave a minimum of 30 mm between the filter and the decorative tube or the cut-out.

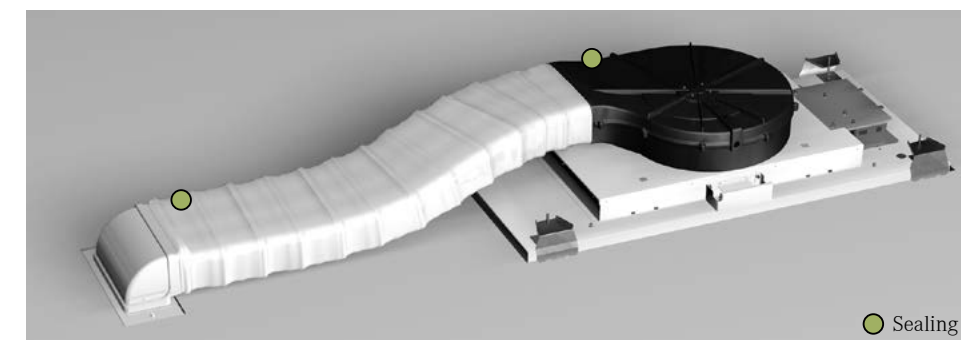
It is also important to perforate the upper part of the cabinet to guarantee the passage of air to the outside of the cabinet as shown in fig.2.

FC-Plus Ceiling Installation



The FC-Plus Ceiling carbon filter is installed very simply by means of Widthrs that fit into the body of the hood and allow the filter to be firmly attached to the hood, absorbing possible vibrations. This simple system allows them to be removed very easily so that they can be regenerated when necessary.

Installation example: Requires flat duct 90346 and suspended ceiling grid 90375.



Sealing



The power of the honeycomb



Helsa dissociated recirculation drawers have an innovative system of filter cubes, which contain the latest generation activated carbon, minerals and are also reinforced with ceramic. Through these cubes, up to 4000 parallel flow channels are created through which air enters, successfully extracting odours. When the air is completely clean, it is returned to the home. Filters all types of particles such as ozone, acid gases and volatile organic compounds (VOC), among others.



Advantages of ceramic cubes



HIGH PERFORMANCE.

A maximum of 8 to 10 regenerations* are recommended in the oven to ensure high performance. Once done, it is advisable to replace them since there is a loss in the filtration capacity.



- High particle filtration.
- Long life of the filters.



EASY MAINTENANCE.

Minimal maintenance and easy cleaning.



- No maintenance cost.
- Well-being and comfort.



NOISE AND ODOURS REDUCTION.

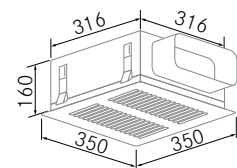
Low noise in operation and high efficiency in eliminating odours.



- Silent environment.
- Smoke-free home.

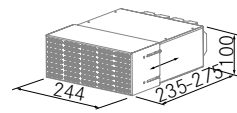
Flat R-Drawer (H2)

Reference: 90411
White Color RAL 9003
10 Helsa Cubes, 3240 Parallel flow channels.
Cut-out dimension: 326 x 326 mm
Suspended ceiling 160 mm.



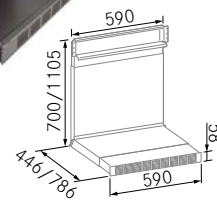
Socle R-Drawer (H3)

Reference: 90267
Stainless Steel.
10 Helsa Cubes, 3240 Parallel flow channels.



Flat R-Drawer (H5)

Reference: 90404
White Color RAL 9003
10 Helsa Cubes, 6760 Parallel flow channels.
Socle height 60 mm. (exclusivo para Flow 5)



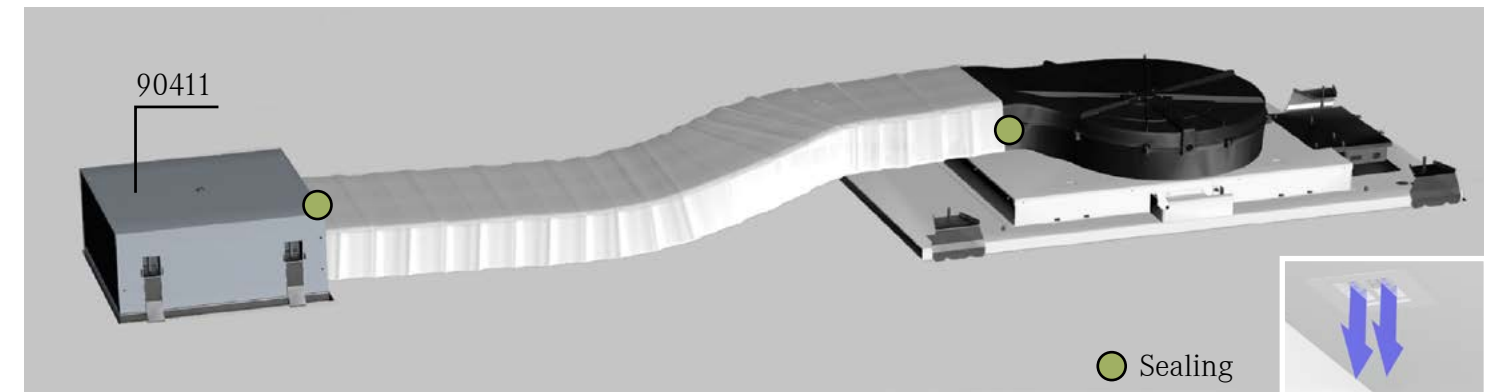
Helsa Cube (Spare)

Reference: 90354
Activated carbon ceramic.
324 Parallel flow channels.

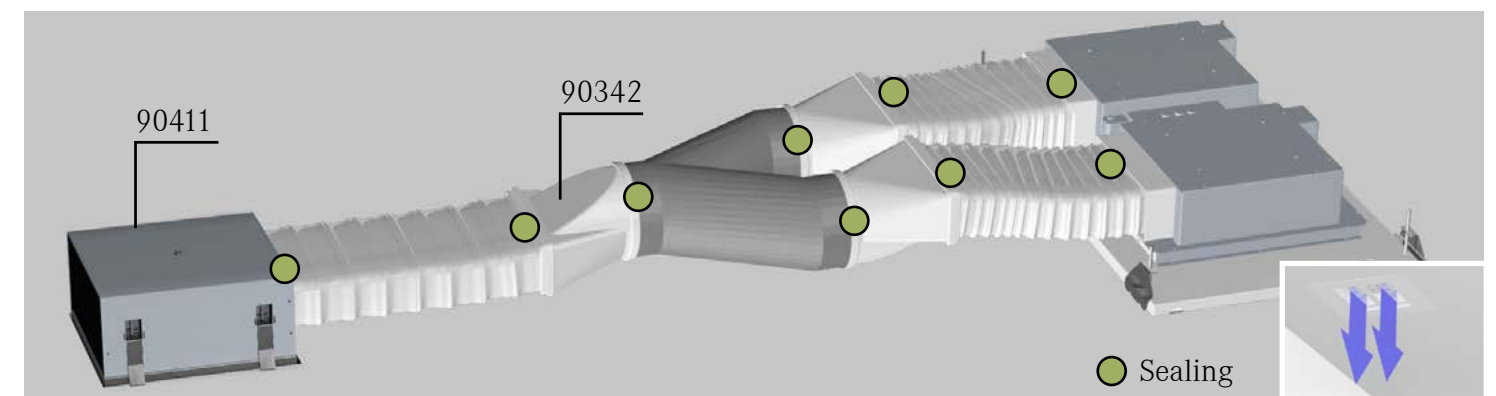


The R-Drawer installation must be accessible to allow the removal of the coal cubes for maintenance and cleaning purposes.

Example of installation of the H2 Filter system with 360° Ceiling Hoods



Example of installation of the H2 Filter system with 2-Motors Ceiling Hoods



Recommendations: For optimal operation, it is advisable to move the filter as far away as possible without exceeding 3m.

Example of installation of the H3 and H5 Filter with Surface Hoods Flow 4 & Flow 5



Regeneration of ceramic carbon cubes

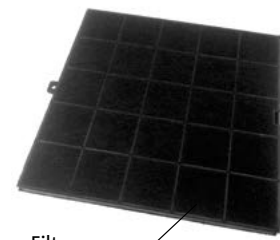
Regeneration in the oven:
Between 150-180°C for approximately 1-2 hours.
Filter durability: With each regeneration a small memory effect is detected. A maximum of 8-10 regeneration cycles is recommended.
There will then be a noticeable loss in performance from the Carbon Cubes. It is recommended to regenerate once a year depending on the use of the hood.

A lifelong standard

Standard activated carbon filters are the most traditional system for air purification. They work with carbon microgranules, which collect odours, clean them and return them to the environment. It is advisable to change them every year to guarantee proper functioning*, since, as they are covered by a plastic casing, they cannot be regenerated in the furnace. They offer two installation options depending on the hood model: Filters for the motoR Drawer and filters attached to the motor inlets.

Motor Drawer Carbon Filters

- Reference: 90133
- Reference: 90258
- Reference: 90285
- Reference: 90368



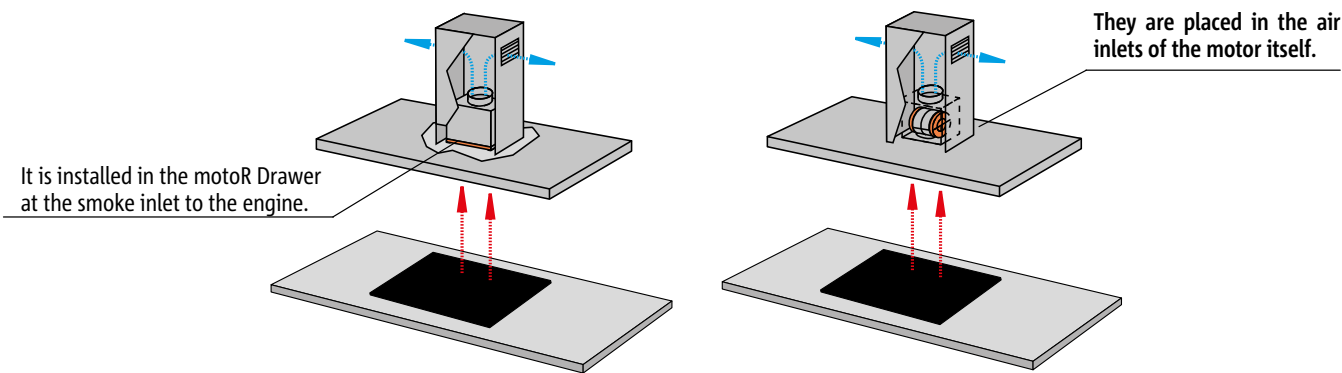
Motor Drawer Carbon Filter



Motor Carbon Filters

Motor Carbon Filters

- Reference: 90104
- Reference: 90134
- Reference: 90172
- Reference: 90185
- Reference: 90292



Advantages of standard filters



EASY INSTALLATION.
They can be easily installed by the user without the need for tools.



- Easy to install.
- Well-being and comfort.



EASY MAINTENANCE.
To ensure proper operation, the grease filters must be kept clean.



- Minimum filter cleaning.
- It does not need maintenance during its useful life.

* According to a statistical use based on an operation of 1h per day.

The entire FrecanAir range

	DURABILITY	MAINTENANCE	PARTICLES REMOVED	INVESTMENT COST
<p>FRECANAIR PLASMA</p>	Up to 15 months*	None		68 €/year*
<p>FC-PLUS FILTERS</p>	Up to 36 months*	Regenerable 2 times Rechargeable		35 €/year*
<p>CERAMIC CUBES</p>	Up to 12 months*	Regenerable 8 times Rechargeable		46 €/year*
<p>ACTIVATED CARBON</p>	Up to 12 months*	Replaceable		66 €/year*

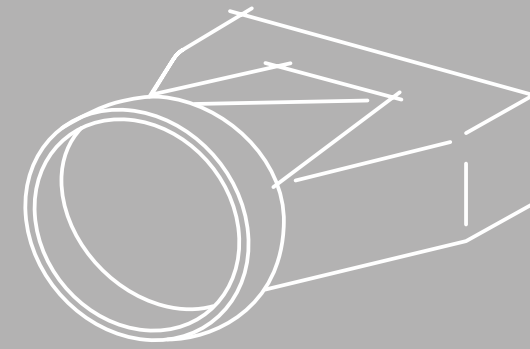
Smoke/Odours •
 Greases •
 Volatile Organic Compounds •
 Virus •
 Allergens •
 Bacteria •
 Fur/Animal Dander •
 Water Vapour

Recirculation systems go beyond being a suction hood. They are air purification systems that help improve home comfort and, therefore, quality of life. A fundamental element in taking care of our health.

Essential recommendation:
Turning on the recirculation hoods 10 minutes before cooking ensures the generation of adequate flow for recirculation as well as reducing possible humidity accumulated in the filter. Leaving the hood running at minimum speed between 10-30 minutes after cooking will guarantee a total cleaning of odors in the kitchen.

* Calculations made on the same hood model, according to a statistical use of one hour a day and 15 years of use.


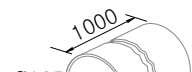
Accessories


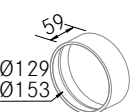



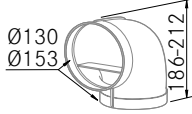
Optiflow ducts (German Metric) - Accessories


FRECAN





Round Ducting de 1m.	Reference	Diameter
	90197	150
	90261	125
		White


Round Ducting connector	Reference	Diameter
	90198	150
	90262	125
		White


Vertical Bend Ducting	Reference	Diameter
	90199	150
	90263	125
		White


Flexible Ducting 3 m. Ø150 PVC	Reference	Units
	90264	1
		White


90° Flat round adapter	Reference
	90194
	White


Flat Round Adapter	Reference
	90195
	White


Conector de pared extensible	Reference
	90196
	White


Exterior Exit Deflector Ø 150	Reference
	90187
	S.S
	90188
	White


Flat Ducting 1m.	Reference
	90189
	White


Flat Ducting Connector	Reference
	90190
	White


Flat Horizontal Bend Ducting 15°	Reference
	90192
	White

Vertical 90° Elbow Flat	Reference
	90193
	White

Horizontal 90° Elbow Flat	Reference
	90191
	White

Flexible Flat Ducting 3m.	Reference	Units
	90224	1
		White


Water Condensate Separator	Reference
	90265
	It prevents the return of water to the hood caused by condensation in cases of a vertical conduit installation.


Automatic Exterior Exit Deflector Ø 150	Reference
	90415
	White/S.S





IT ducts - Accessories


FRECAN


Round Ducting 1m. ø150	Reference
	90343
	White


Round Ducting Connector ø150	Reference
	90344
	White

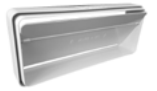
Vertical Bend Ducting ø150	Reference
	90345
	White


Flexible Ducting 1m. Ø150 PVC	Reference	Units
	90347	1
	90357	5
		White


Flexible Ducting 1m. Ø200 PVC	Reference	Units
	90402	1x1 m.
	90403	1x10 m.
		White


Angle Adapter (Round-Flat) 90°	Reference
	90341
	White


Adapter (Round-Flat) 90°	Reference
	90342
	White


Flat Non-Return Valve	Reference
	90383
	White


Fire Resistant Tape (10m)	Reference
	90349
	White


Flat Ducting 1m.	Reference
	90336
	White


Flat Ducting Connector	Reference
	90337
	White


Flat Horizontal Bend Ducting 15°	Reference
	90339
	White


90° Vertical Flat Bend Ducting	Reference
	90340
	White

90° Horizontal Flat Bend Ducting	Reference
	90338
	White

Flexible Flat Ducting 3m.	Reference	Units
	90346	1
	90356	5
		White

Flat Duct Grid	Reference
	90382
	White

IT to Optiflow Adapter	Reference
	90348
	White


Eccentric Ø150	Reference
	90416
	Eccentric for exit Ø150 mm.

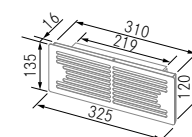
Conductos optoflow no compatibles con accesorios incluidos en la gama Techo de FRECAN - Ver accesorios IT (Pg. 175)


Transport: Postage is paid to its destination, except for orders of less than €200, where a charge of €20 will be applied in Spain and €25 in Portugal.

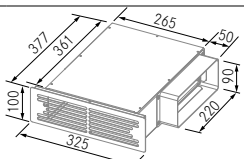
Otros Accesorios - Accessories





Grid for false ceilings	Reference
	90375
	White





Socle grid	Reference
	90376
	Cajón difusor con rejilla S.S.





Support Braces / clamps	Dimensions	Reference
	Ø120	90121
	Ø150	90122
	Ø200	90123
	Ø250	90124


"L" double door protection	Dimensions	Reference
	45	90389
	60	90297
	70	90390
	80	90391
	90	90298
	120	90299
	16 x 19mm. shield to protect double doors wardrobe in built-in hoods.	


Spacer Ga Perimetral	Dimensions	Reference
	60	90255
	90	90256
	120	90257
	Fixed depth spacer 227 to 350	


Cleaner	Description	Reference
	Cleaner Drawer 12 Units	90211
	Cleaner Drawer 12 Units	90212
	Cleaner of Stainless Steel	


AIRSOFT 1/2 Soundproofing duct	Dimensions	Reference
	Ø150 x 800mm	90182
	Ø120 x 800mm	90229
	Airsoft2 plano	90310
	Soundproof tubes ready for installation. Flat Duct Airsoft is only compatible with the IT ductwork range.	


AIRSOFT Soundproofing duct	Dimensions	Reference
	Ø120 x 10m.	90302
	Ø150 x 10m.	90303
	Ø200 x 10m.	90304
	Drawer of 10 meters of soundproofing ductings.	

Coupling	Dimensions	Reference
	Ø120	90116
	Ø150	90117
	Ø200	90118
	Ø250	90119
	To place on the ends of the soundproofing tubes using adhesive aluminium tape.	

Cinta adhesiva de aluminio	Dimensions	Reference
	50mm. x 5m.	90120
	To place on the ends of the soundproofing tubes using adhesive aluminium tape.	

Output adapters	Dimensions	Reference
	Ø150 - Ø120	90125
	Ø200 - Ø150	90126
	Ø250 - Ø150	90127
	Ø250 - Ø200	90128

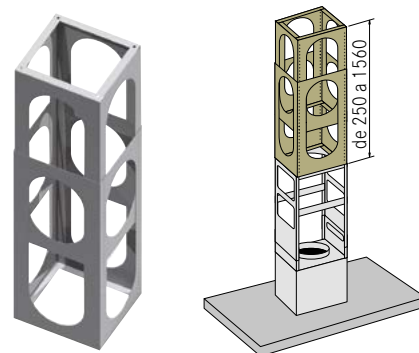
No return valves	Dimensions	Reference
	Ø150	90203
	Internal motor 1100GP & ST8 exclusive use.	

Restorer	Description	Reference
	Restorer 1 Unit.	90213
	Restorer drawer 12 Units	90214
	Restorer of Stainless Steel for restore the optimal appearance after rays and darkening of the steel produced by use.	

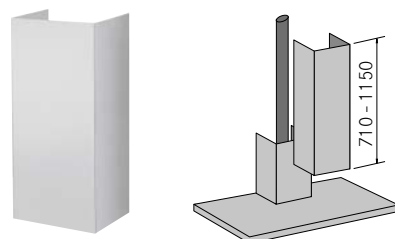
Decorative tubes (Wall hoods)			
Largo	Dimensions	Finish	Reference
Fixed 710	300 x 300	S.Steel	90141
Fixed 1150	300 x 300	S.Steel	90142
Fixed 710	300 x 280	S.Steel	90288
Fixed 1150	300 x 280	S.Steel	90289
Fixed 710	300 x 300	White	90392
Fixed 1150	300 x 300	White	90393
Fixed 710	300 x 300	Black	90396
Fixed 1150	300 x 300	Black	90397

Decorative tubes (Island hoods)		
Dimensions	Finish	Reference
Hasta 1000	S.Steel	90143
De 1001 a 1242	S.Steel	90144
Hasta 1000	White	90394
De 1001 a 1242	White	90395
Hasta 1000	Black	90398
De 1001 a 1242	Black	90399
For covering structures in island hoods. Delivery time 4 weeks - Made to measure, page 145.		

Metallic structures	
Dimensions	Reference
from 250 to 430	90145
from 440 to 810	90146
from 820 to 1560	90147
Metal frame extensions for island hoods.	



For covering ductwork in wall-mounted hoods. Delivery time 4 weeks - Made to measure, page 145.



Transport: Postage is paid to its destination, except for orders of less than €200, where a charge of €20 will be applied in Spain and €25 in Portugal.

Motors (Power and Sonority) - Accessories



Acoustic Power (LW) (Emitter)

Acoustic power is the sound value emitted by a sound source regardless of where it is located. This data is obtained from the average measurement made directly at the emitting source and is measured in decibels (dB). In the case of FRECAN, it is the place of maximum sonority of our hoods (close to the motor). This is the value that is used in the energy label according to the EU 65/2014 standard.

Acoustic Pressure (LP) (Receiver)

The sound pressure level determines the intensity of the sound that a sound pressure generates (that is, the sound that reaches a person at a normal working distance) and is measured in decibels (dB). The European standard IEC 60704-2-13 is used to measure the sound pressure level of the FRECAN hoods in a soundproof chamber. With the recording of these measurements an average is made that indicates the average sound level that the user perceives.

ACOUSTIC POWER = SOUND LEVEL GENERATED IN THE HOOD.
ACOUSTIC PRESSURE = SOUND LEVEL PERCEIVED BY THE USER'S EAR.

Sonority

Sonority is a subjective measure of the intensity with which a sound is perceived by the human ear. That is, sonority is the attribute that allows sounds to be ordered on a scale from the strongest to the weakest, their unit being the decibel.

It is proven that the sound sensation of intensity (sonority) increases for high-pitched sounds while the low sounds are less noticeable, which is because human hearing is not linear, but logarithmic. The audible frequency band is 20-20000 Hz, the pain threshold being 130 dB while the hearing threshold is 0 dB, although these vary with frequency.

Sonority is the ability of a sound to produce a sound sensation in our brain and depends on the intensity of a sound, but also on its frequency, amplitude and other variables, such as the sensitivity of the listener's ear and the duration of sound.

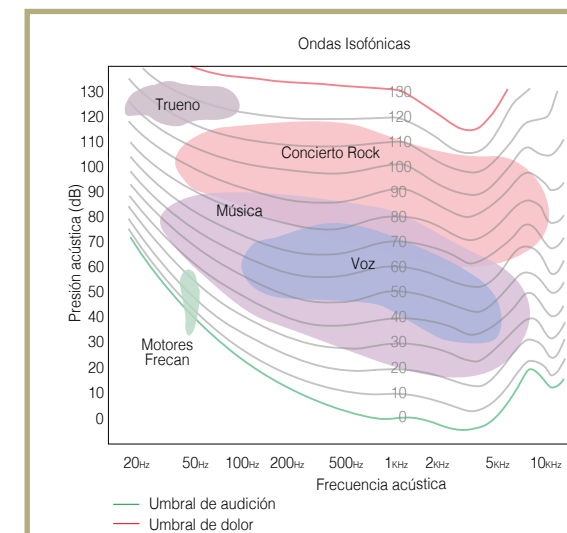
Since sonority is not an absolute magnitude, what is done is to measure the sonority level, that is, determine how loud one sound is in relation to another. To measure the sonority level, the phonium (fon) is used.

Hearing threshold

The phonium or (fon) is the unit that measures the perception of a dB at a frequency of 1000Hz, it is thus established because 1000 Hz is the frequency in which the increase in decibels with respect to the perception of sound is the most stable and coincident. by human ear.

Hearing threshold is considered to start at 0 fons and start to be dangerous above 130 fons.

It should be noted the importance that a phon equals one dB at a frequency of 1000 Hz (1kHz), as we can see in the graph of isophonic waves that we show below, varying considerably in other frequencies.



The isophonic waves are curves of equal sonority and calculate the relationship between the frequency (Hz) and the intensity (in decibels) of two sounds so that they are perceived as equally strong, so that all points on the same isophonic curve have the same sonority. Two tones of different frequency and with the same sound intensity are said to be qualitatively different, but they are of the same "isophonic line", that is, they have the same sound.

With this we can conclude that a sound of 42 dB at a frequency of 50 Hz is at the minimum limit of the threshold of hearing or what is the same, that the sounds emitted at a frequency of 50 Hz begin to be audible from the 42 dB.

Bass sounds are perceived less than treble, that is, low frequencies are perceived less.

If we put two instruments like a double bass and a violin playing both at the same decibels, the violin will be much more noticeable to the ear. FRECAN's motors and electronics emit at a frequency of only 50Hz. This causes that the emitted sound is very little perceivable for our ear.

Internal Motors - Accesorios

FRECAN

Internal Motor - 1100GP



TYPE: Internal
 CONSUMPTION: 230 W
 INTENSITY: 1,8 A
 FREQUENCY: 50/60Hz
 MAX. FLOW - 0 Pa: 1085 m³/h
 TOTAL PRESSURE: 490 Pa
 MAX. PRESSURE: 460 Pa - 550 m³/h
 OUTLET: Ø 150 mm.

Internal Motor - ST8



TYPE: Internal
 CONSUMPTION: 100 W
 INTENSITY: 0,8 A
 FREQUENCY: 50/60Hz
 MAX. FLOW - 0 Pa: 800 m³/h
 TOTAL PRESSURE: 430 Pa
 MAX. PRESSURE: 380 Pa - 340 m³/h
 OUTLET: Ø 150 mm.

Internal Motor - VF700



TYPE: Internal
 CONSUMPTION: 230 W
 INTENSITY: 1,0 A
 FREQUENCY: 50/60Hz
 MAX. FLOW - 0 Pa: 670 m³/h
 TOTAL PRESSURE: 562 Pa
 MAX. PRESSURE: 460 Pa - 360 m³/h
 OUTLET: Ø 150 mm.

Internal Motor - R1300GP



TYPE: Internal
 CONSUMPTION: 170 W
 INTENSITY: 1,4 A
 FREQUENCY: 50/60Hz
 MAX. FLOW - 0 Pa: 1310 m³/h
 TOTAL PRESSURE: 715 Pa
 MAX. PRESSURE: 550 Pa - 420 m³/h
 OUTLET: Ø 150 mm.

Internal Motor - R1000GP



TYPE: Internal
 CONSUMPTION: 85 W
 INTENSITY: 0,7 A
 FREQUENCY: 50Hz
 MAX. FLOW - 0 Pa: 970 m³/h
 TOTAL PRESSURE: 460 Pa
 MAX. PRESSURE: 320 Pa - 350 m³/h
 OUTLET: Ø 150 mm.

Internal Motor - B1000



TYPE: Internal
 CONSUMPTION: 111 W
 INTENSITY: 0,82 A
 FREQUENCY: 50Hz
 MAX. FLOW - 0 Pa: 986 m³/h
 TOTAL PRESSURE: 500 Pa
 MAX. PRESSURE: 397 Pa - 451 m³/h
 OUTLET: Ø 150 mm.

Internal Motor - R800GP



TYPE: Internal
 CONSUMPTION: 83 W
 INTENSITY: 0,75 A
 FREQUENCY: 50/60Hz
 MAX. FLOW - 0 Pa: 695 m³/h
 TOTAL PRESSURE: 610 Pa
 MAX. PRESSURE: 400 Pa - 290 m³/h
 OUTLET: Ø 150 mm.

Internal Motor - R700



TYPE: Internal
 CONSUMPTION: 52 W
 INTENSITY: 0,23 A
 FREQUENCY: 50Hz
 MAX. FLOW - 0 Pa: 590 m³/h
 TOTAL PRESSURE: 465 Pa
 MAX. PRESSURE: 300 Pa - 185 m³/h
 OUTLET: Ø 150 mm.

External Motors - Accesorios

FRECAN

Intermediate - IL1300EC



TYPE: dissociated (Intermediate)
 CODE: 90406
 CONSUMPTION: 121 W
 INTENSITY: 1,0 A
 FREQUENCY: 50 Hz
 MAX. FLOW - 0 Pa: 1300 m³/h
 TOTAL PRESSURE: 440 Pa
 MAX SONORITY: 62 dbA (Lwa2)
 OUTLET: Ø200 mm.
 CABLE LENGTH: 10 m.

Intermediate - IL2200EC



TYPE: dissociated (Intermediate)
 CODE: 90405
 CONSUMPTION: 304 W
 INTENSITY: 2,1 A
 FREQUENCY: 50 Hz
 MAX. FLOW - 0 Pa: 2175 m³/h
 TOTAL PRESSURE: 770 Pa
 MAX SONORITY: 67 dbA (Lwa2)
 OUTLET: Ø200/Ø250 mm.
 CABLE LENGTH: 10 m.

Wall Motor - PA1200EC



TYPE: dissociated (Wall)
 CODE: 90407
 CONSUMPTION: 166 W
 INTENSITY: 1,35 A
 FREQUENCY: 50 Hz
 MAX. FLOW - 0 Pa: 1210 m³/h
 TOTAL PRESSURE: 680 Pa
 MAX SONORITY: 78 dbA (Lwa2)
 OUTLET: Ø200 mm.
 CABLE LENGTH: 10 m.

Roof Motor - TJ2000EC

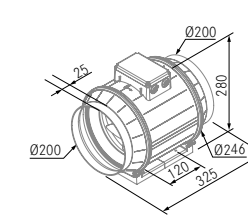


TYPE: dissociated (Roof)
 CODE: 90409
 CONSUMPTION: 121 W
 INTENSITY: 1,9 A
 FREQUENCY: 50 Hz
 MAX. FLOW - 0 Pa: 1970 m³/h
 TOTAL PRESSURE: 830 Pa
 MAX SONORITY: 78 dbA (Lwa6)
 OUTLET: Ø200 mm.
 CABLE LENGTH: 10 m.

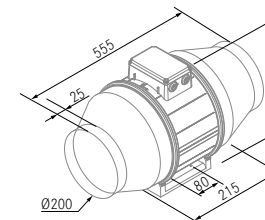
Roof Motor - TJ2500EC



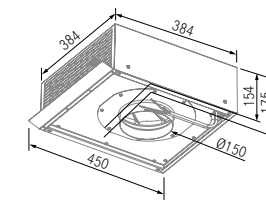
TYPE: dissociated (Roof)
 CODE: 90408
 CONSUMPTION: 165 W
 INTENSITY: 1,4 A
 FREQUENCY: 50 Hz
 MAX. FLOW - 0 Pa: 2750 m³/h
 TOTAL PRESSURE: 450 Pa
 MAX SONORITY: 68 dbA (Lwa2)
 OUTLET: Ø200/250 mm.
 CABLE LENGTH: 10 m.



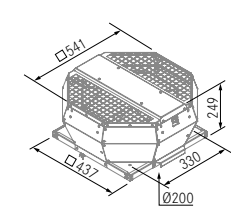
Reference
90406



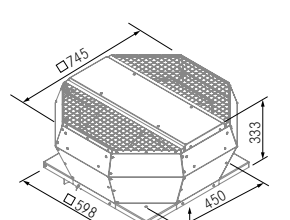
Reference
90405



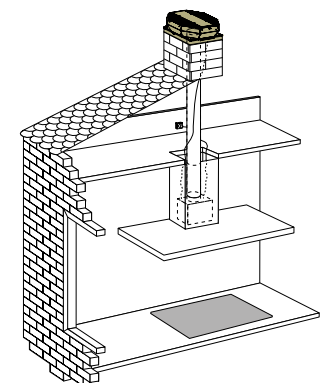
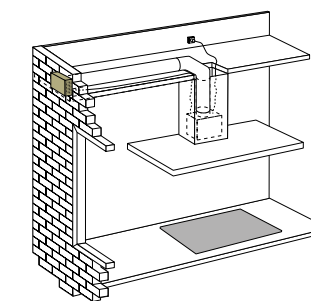
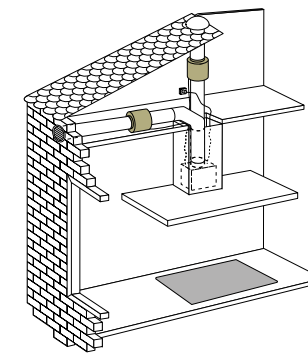
Reference
90407



Reference
90409



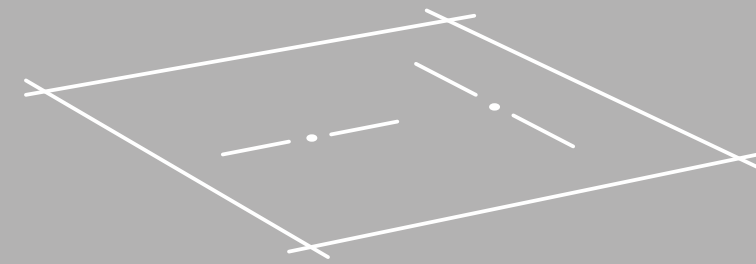
Reference
90408



Recommendation of external motors according to models

Family	Dimensions	IL1300EC	IL2200EC	PA1200EC	TJ2000EC	TJ2500EC
Ceiling	1000 mm.	•	•	•	•	•
	1300 mm.	•	•	•	•	•
	760 mm.	•	•	•	•	•
Built-in	800 mm.	•	•	•	•	•
	900 mm.	•	•	•	•	•
	1000 mm.	•	•	•	•	•
Wall	1200 mm.	•	•	•	•	•
	900 mm.	•	•	•	•	•
	1200 mm.	•	•	•	•	•
Island	900 mm.	•	•	•	•	•
	1200 mm.	•	•	•	•	•

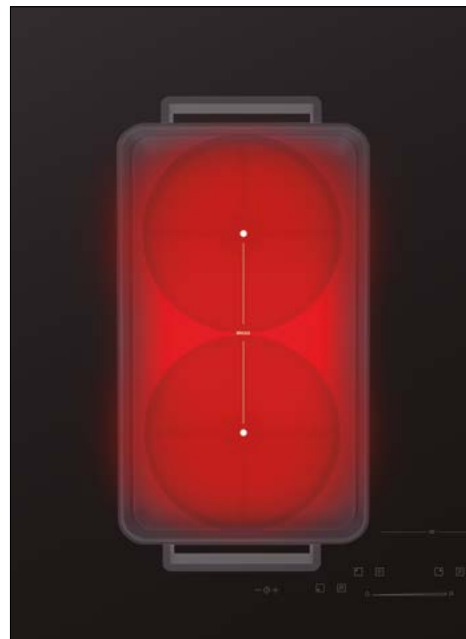
Hobs



Induction - Cooking hobs

FRECAN

Bridge Function - Extended Area



The hob allows you to associate two cooking zones to create a single zone where you can use large containers or cook several dishes at the same time, with maximum flexibility when placing the containers.

Power Boost

Our induction hobs have the Booster [P] function to increase the power of the selected zone. Specifically, when activating the Booster, the cooking zone operates for ten minutes at a very high power that allows large quantities of water to be quickly heated.

Quantity	Without Powerboost	With Powerboost
1 litre	2 min.	50 sec.
3 litres	5 min.	3 min.
5 litres	8 min.	5 min.

Independent Timer

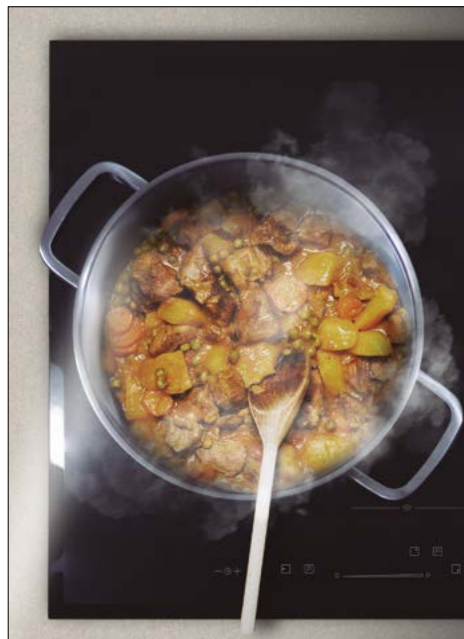
Minute-counter timer disconnected from the independent end of cooking programming for each zone.

Slider Control



Quick temperature selection with the slider: just touch the desired power level with a finger on the touch screen.

Pot Area 30 cm



The 3-zone cooking plates are equipped with a large double induction zone that allows the use of utensils with diameters between 11 and 30 cm. A very large area for the most demanding kitchen.

Stop&Go Function

Useful function that allows you to interrupt and resume set modes immediately if you need to pause cooking to do something else.

Timer Function

Programming using the touch-control knobs on the plate glass. Each zone has an independent programming to set different cooking times.

Heat Maintainance

It allows to maintain the temperature (70 ° C) of the food in a delicate way, without reaching boiling temperatures or burning the bottom of these.

Heat Function

Activates the zones at maximum power until reaching the selected power level to achieve the desired power in the shortest time.

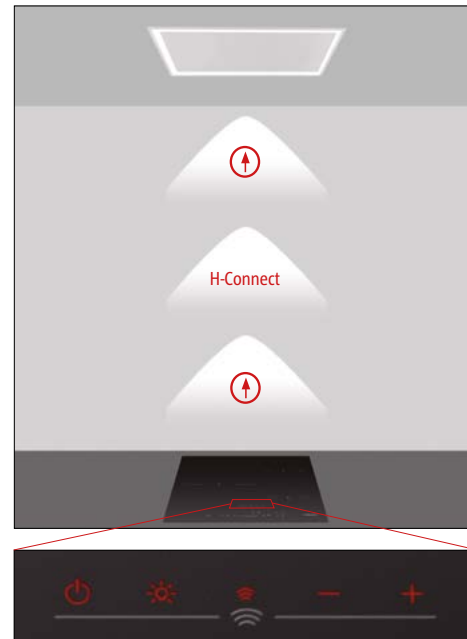
Container Detection

Induction hobs not only recognize the presence of vessels but also calculate the support surface. This system makes it possible to rationalize the use of energy. When the pot is removed, the cooking zone is automatically deactivated.

Safety

Induction hobs have the most modern and sophisticated safety protections: centralized shutdown; security lock; residual heat indicators. Induction models also have the following functions: Safety System, which turns off the hob if no pots are detected; Overflow detector, which automatically shuts down the hob if liquids are spilled; automatic deactivation, to prevent accidents due to forgetfulness.

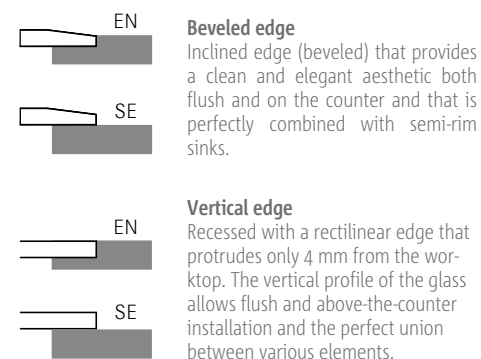
H-Connect



The H-Connect panels allow you to control all the functions of the compatible Frecan hood from a control located on the panel. In this way you can work more comfortably and safely without using the hood control.

Compatible Hoods H-Connect	
Ceiling models	Built-in models
Bright 360	Vetroklin
Lia 360	Tersa
Sense 360	Note
Astro 360	GA Perimetral
Cloud 360	Quo
Moon 360	Soul
Scl 360	Vigor Prof
Nitro 360	GA Filo
TR9 Slim	GA
TR10 Slim	Wall models
Aero	Stream
Meet	QFine
Nitro 2xr700	Urban models
Island models	N311
Qfine Isla	N307

Types of installation



Induction - Cooking hobs

FRECAN

H-Connect 603 ELC



Description

- INDUCTION HOB WITH 3 ZONES
- Total measurements: 590 x 520 x 63 mm.
- Embedding gap: 560 x 490 mm.

Cooking zones

- Left Ø300 mm. 2700 W. - Power Boost 3600 W.
- Double inductor with a min. of Ø11 cm. and maxi. of 30 cm.
- Rear Right Ø180 mm. 1500 W. - Power Boost 2000 W.
- Front Right Ø145 mm. 1200 W. - Power Boost 1600 W.
- **Maximum total power 7200 W.**

H-Connect 603 Slider



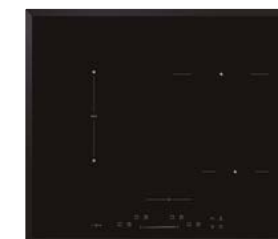
Description

- INDUCTION HOB WITH 3 ZONES
- Total measurements: 590 x 520 x 63 mm.
- Embedding gap: 560 x 490 mm.

Cooking zones

- Left Ø300 mm. 2700 W. - Power Boost 3600 W.
- Double inductor with a min. of Ø11 cm. and maxi. of 30 cm.
- Rear Right Ø180 mm. 1500 W. - Power Boost 2000 W.
- Front Right Ø145 mm. 1200 W. - Power Boost 1600 W.
- **Maximum total power 7200 W.**

H-Connect 604 Slider Bridge



Description

- INDUCTION HOB WITH 4 ZONES
- Total measurements: 590 x 520 x 63 mm.
- Embedding gap: 560 x 490 mm.

Cooking zones

- Rear Left Ø180 mm. 1500 W. - Power Boost 2000 W.
- Front Left Ø180 mm. 1500 W. - Power Boost 2000 W.
- Rear Right Ø210 mm. 1500 W. - Power Boost 2000 W.
- Front Right Ø145 mm. 1200 W. - Power Boost 1600 W.
- **Maximum total power 7200 W.**

Versions

Finish	Ref.
Black	51148



Technical Information

- **H-Connect controls (hood control).**
- Touch control.
- 9 power levels in each zone.
- Power Boost function.
- Area for containers up to Ø30 cm.
- Timer function in each zone.
- Keep warm function.
- Automatic container detection.
- Residual heat indicator.
- Security lock.

Versions

Finish	Ref.
Black	51149
White	51150



Technical Information

- **H-Connect controls (hood control).**
- Touch control with Slider.
- 9 power levels in each zone.
- Power Boost function.
- Area for containers up to Ø30 cm.
- Stop & Go function.
- Timer function in each zone.
- Keep warm function.
- Quick heating function.
- Automatic container detection.
- Residual heat indicator.
- Security lock.

Versions

Finish	Ref.
Black	51151

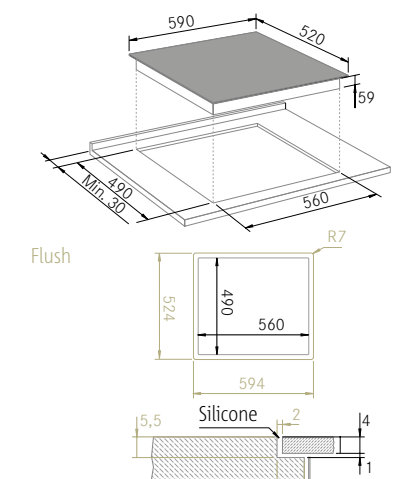


Technical Information

- **H-Connect controls (hood control)**
- Touch control with Slider.
- 9 power levels in each zone.
- Power Boost function.
- Bridge function (Bridge in Left area).
- Stop & Go function.
- Timer function in each zone.
- Keep warm function.
- Heating function.
- Automatic container detection.
- Residual heat indicator.
- Security lock.

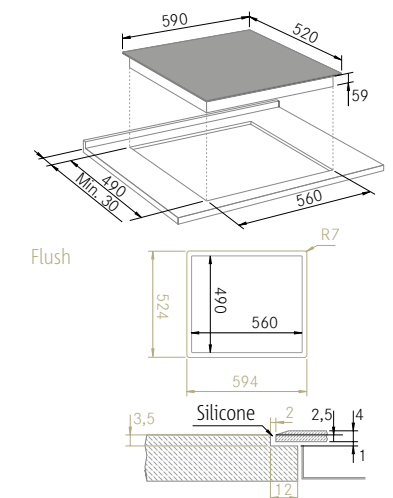
Technical design

Cut-out



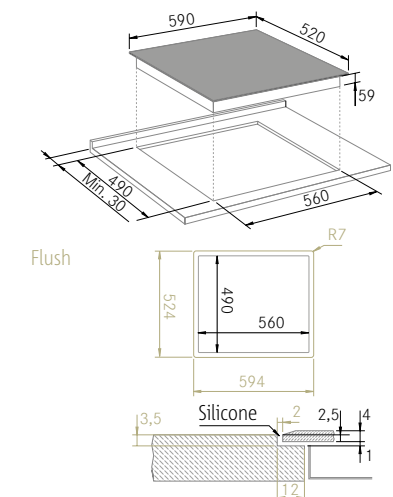
Technical design

Cut-out



Technical design

Cut-out



Induction - Cooking hobs

FRECAN

Vitro 783 Induction Slider II Black



Versions

Finish	Ref.
Black	51122



Technical Information

- Touch control.
- SLIDER power control.
- Power Boost function.
- Timer function.
- Automatic detection of the container.
- Go & Stop Automation.
- 9 power levels in each zone.
- Residual heat indicator for each zone.
- Security lock.
- Concept chamfered edge finish.

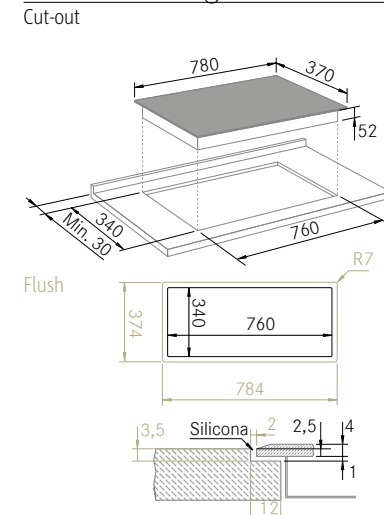
Description

- HOB WITH 3 COOKING ZONES
- Total dimensions: 780 x 370 mm.
- Cut-out hole: 760 x 340 mm.

Cooking zones

- Left Ø250 mm. 2300 W. - Power Boost 3000 W.
- Central Ø160 mm. 1100 W. - Power Boost 1400 W.
- Right Ø160 mm. 1100 W. - Power Boost 1400 W.

Technical design



Vitro 783 Induction Slider II White



Versions

Finish	Ref.
White	51123



Technical Information

- Touch control.
- SLIDER power control.
- Power Boost function.
- Timer function.
- Automatic detection of the container.
- Go & Stop Automation.
- 9 power levels in each zone.
- Residual heat indicator for each zone.
- Security lock.
- Concept chamfered edge finish.

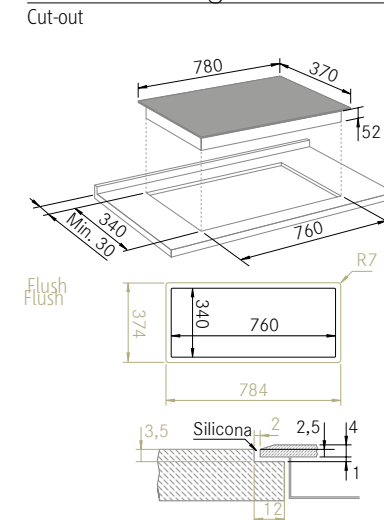
Description

- HOB WITH 3 COOKING ZONES
- Total dimensions: 780 x 370 mm.
- Cut-out hole: 760 x 340 mm.

Cooking zones

- Left Ø250 mm. 2300 W. - Power Boost 3000 W.
- Central Ø160 mm. 1100 W. - Power Boost 1400 W.
- Right Ø160 mm. 1100 W. - Power Boost 1400 W.

Technical design



Modular Induction - Cooking hobs

FRECAN

Touch Control



Description

- TOUCH CONTROL FOR 3 AND 4 MODULES
- Total Dimensions: 275 x 150 mm. R 70 mm.
- Cut-out Dimensions: 190 x 120 mm.



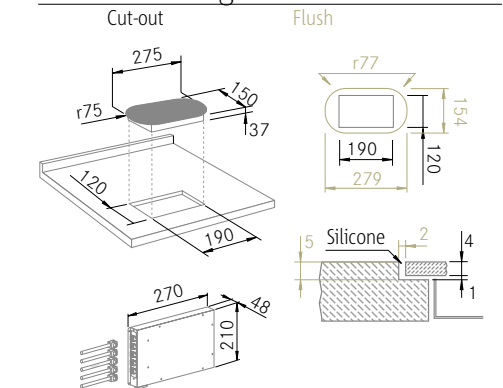
Versions

Finish	Zones	Ref.
Black	3	51107
White	3	51108
Black	4	51109
White	4	51110

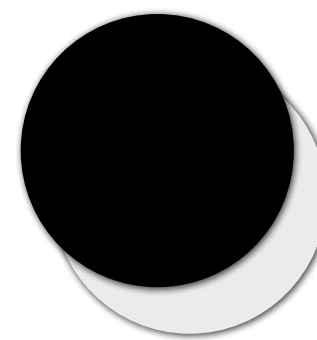
Technical Information

- Touch control with Slider.
- 9 power levels in each zone.
- Power Boost Function.
- Heat Maintenance Function.
- Stop & Go Function.
- Timer function in each zone.
- Independent TimerFunction.
- Quick heating function.
- Automatic container detection.
- Residual heat indicator.
- Security lock.

Technical design



Modular 35



Versions

Finish	Ref.
Black	51101
White	51102

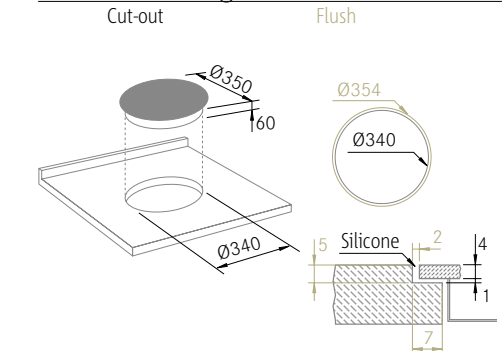
Description

- Cooking zone: 35 cm.
- Total Dimensions: Ø350 x 60 mm.
- Cut-out Dimensions: Ø 340 mm.

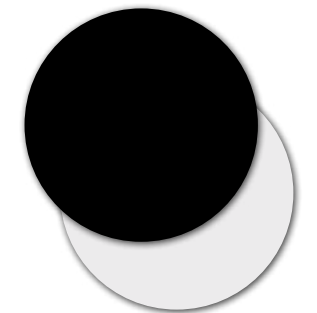
Technical Information

- Inductor Ø250 mm. 2300 W. - Power Boost 3000 W.

Technical design



Modular 30



Versions

Finish	Ref.
Black	51103
White	51104

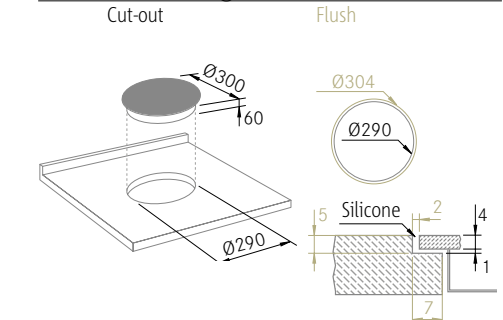
Description

- Cooking zones: 30 cm.
- Total Dimensions: Ø300 x 60 mm.
- Cut-out Dimensions: Ø 290 mm.

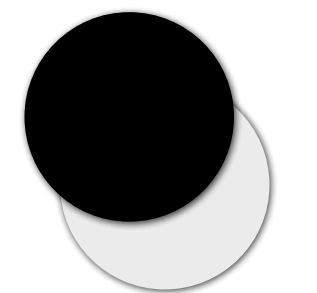
Technical Information

- Inductor Ø200 mm 2300 W. - Power Boost 3000 W.

Technical design



Modular 27



Versions

Finish	Ref.
Black	51105
White	51106

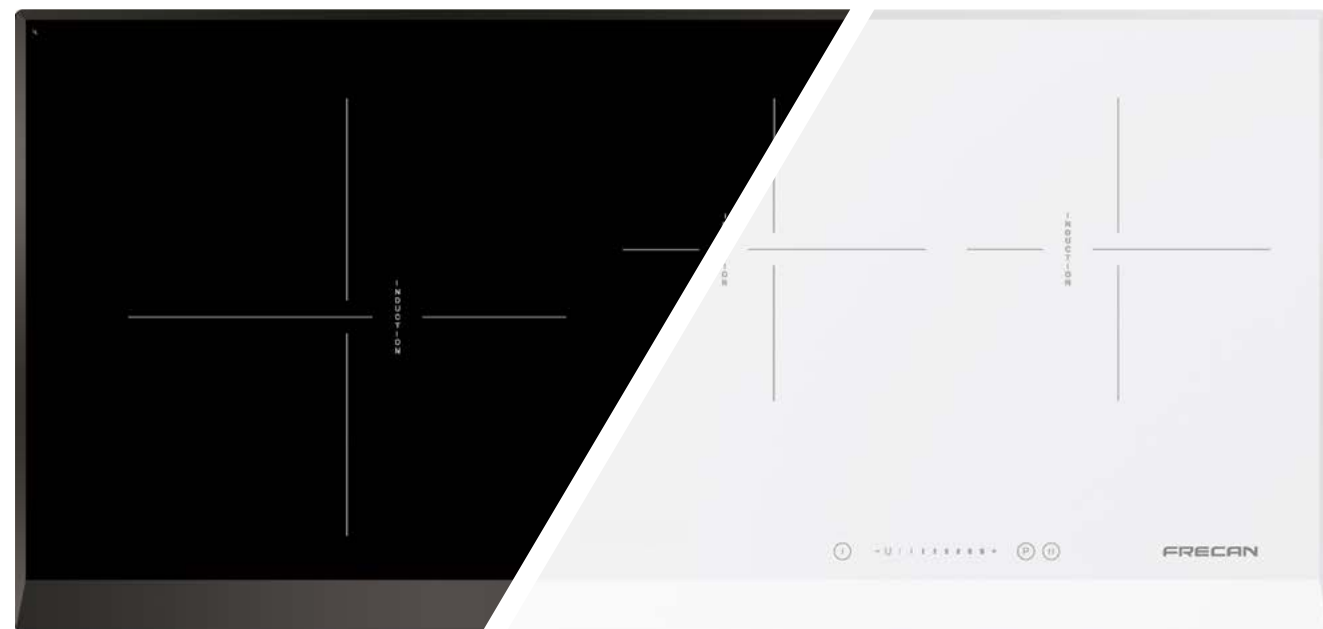
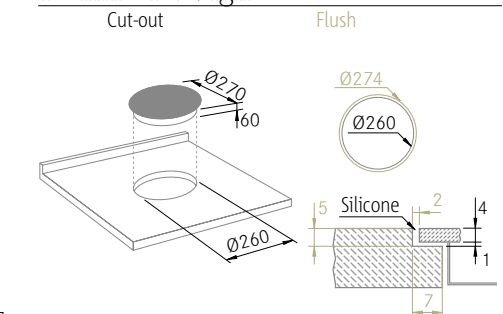
Description

- Cooking zones: 27 cm.
- Total Dimensions: Ø270 x 60 mm.
- Cut-out Dimensions: Ø 260 mm.

Technical Information

- Inductor Ø200 mm. 1100 W. - Power Boost 1400 W.

Technical design



See combinations





III Series Burners: 20% Gas Savings



20% savings on gas. The hobs have III series burners that guarantee an efficiency considerably higher than European standards. In addition, the better gas combustion allows to generate higher power levels. From a safety point of view, the blocking system between the cover and the flame distributors guarantees greater convenience for cleaning.



Types of installation

-  EN **Rim 1 mm.** Thin edge for a clean and elegant appearance, both flush fitting and sit on the worktop in a integrated look.
-  OE

Safety in the kitchen

Greater burner safety and shorter ignition times thanks to the use of the latest generation of ultra-fast activation thermocouples.

Safe cooking



The gas hobs are fitted with safety valves which shut off the gas supply immediately if the flame is accidentally blown out.

Ignition with selector switch



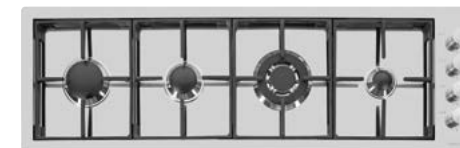
Maximum freedom of movement with the electronic ignition with selector, a feature common to all models that allows the flame to be activated with just one hand.

Ultra-Slim



The ultra slim models are the classic example of the confluence of aesthetics and functionality. Elegant grilles, which create a single large surface.

Quadra 4G



Cooking zones

- 4 Zones / Total Power: 9650 W
- Auxiliary: 1100 W
- Semi-fast: 1750 W
- Fast: 3000 W
- Triple crown: 3800 W

Versions

Finish	Ref.
S.Steel	51126

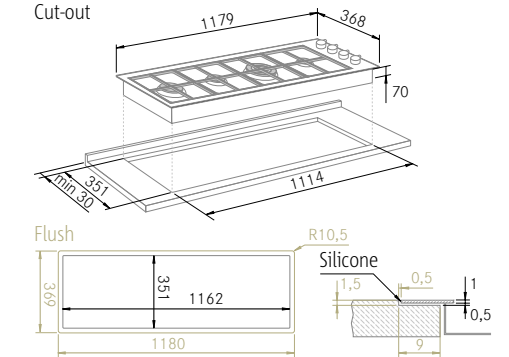
Description

- Total Dimensions: 1179 x 368 mm.
- Cut-out Dimensions: 1162 x 351 mm.

Technical Information

- Cast iron grids and enamelled burner caps.
- Electric ignition.
- Safety valves with rapid activation thermocouple.
- Flush installation / Flush optic.

Technical design



Quadra 3G



Cooking zones

- 4 Zones / Total Power: 6650 W
- Auxiliary: 1100 W
- Semi-fast: 1750 W
- Triple crown: 3800 W

Versions

Finish	Ref.
S.Steel	51127

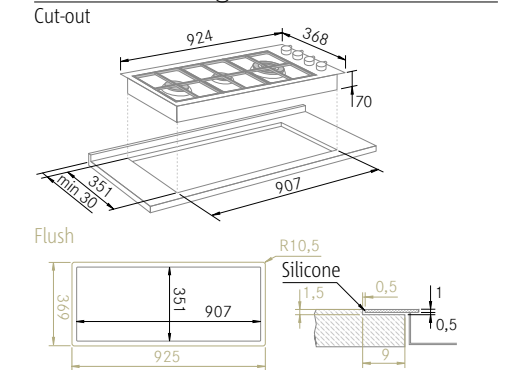
Description

- Total Dimensions: 925 x 368 mm.
- Cut-out Dimensions: 908 x 351 mm.

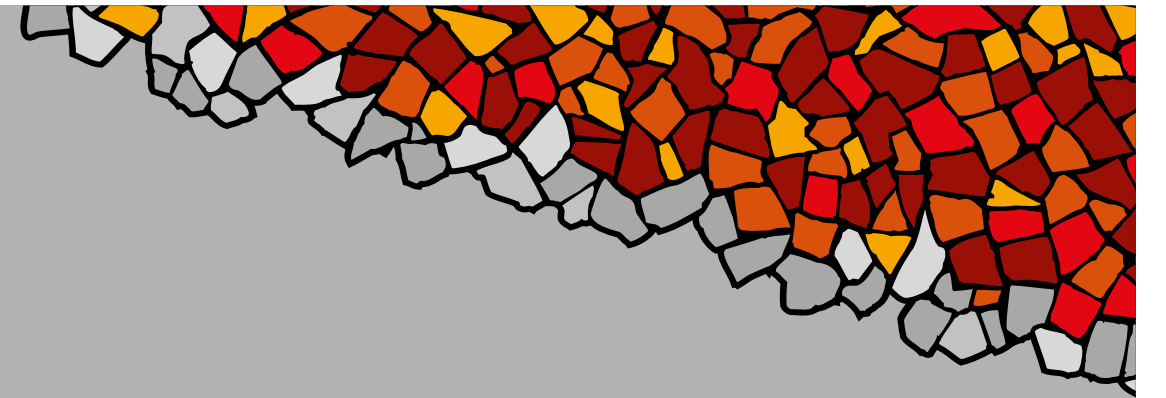
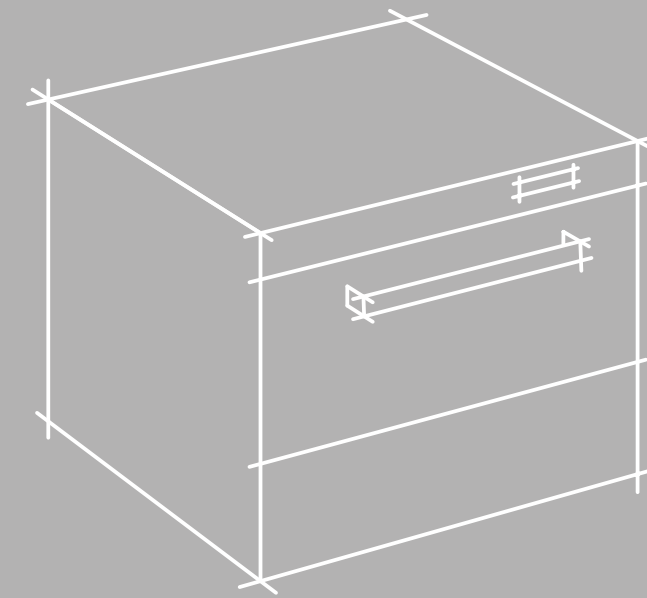
Technical Information

- Cast iron grids and enamelled burner caps.
- Electric ignition.
- Safety valves with rapid activation thermocouple.
- Flush installation / Flush optic.

Technical design



Ice Maker





Versions

Finish	Ref.
S.Steel	55000

Description

- ICE CUBES MAKER
- Total Dimensions: 458 x 595 x 575 mm.

General features

- Possibility of programming.
- 8 kg ice tank with automatic stop.
- Weight of the cube 22 gr.
- Cube thickness regulator.
- Water consumption 3,5 litres/h.
- **DOES NOT KEEP ICE.**

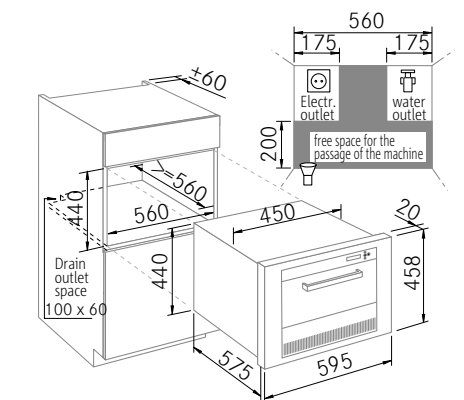
Supply

- Production of 10 Kg/day.
- 12 cubes per cycle. (35-40 min. cycle.)

Requerimentos

- Direct connection to the water network.
- 230 V Electrical connection.
- Drain outlet. (The machine has 2 drain outlets)

Technical design



*Pure, transparent, crystalline ice,
without holes or corner edges.*

Ideal for drinks and cocktails.
Turn in the glass and cool
without watering down.



High quality ice



The system offers a total transparency ice cube
The most appreciated cube for Premium drinks, it
takes just enough time to melt so as not to slow
down cooling. Ideal for wide glasses.

Antibacterial tray



The storage tray is made of anti-bacterial mate-
rial that allows for easy cleaning and drying. It
is equipped with drain a drain outlet to prevent
moisture getting on the furniture.

Programmer



Switch on and off programmer that allows ice to
be available at the desired time for its use, provi-
ding the best quality and the required quantity.

Terms of sale

FRECAN

Transport:

Postage is paid to its destination, except for orders of less than €200, where a charge of €20 will be applied in Spain and €25 in Portugal.

Merchandise reception:

- ALWAYS check the material at the time of delivery. If you receive the package damaged, beaten or deteriorated, you must write down the damage found in the document of the transport agency (next to your signature on delivery agreement). If not, you have 24 hours. from delivery to notify us of any damage.
- In the event that the packaging is in perfect condition, you have 7 calendar days to verify that its content is in accordance. After these 7 days neither FRECAN nor the agency of transport can be held responsible.

Returns:

- The buyer is not entitled to the return of those goods supplied under the stipulated conditions, except for those motivated by causes that are attributable to us.
- Returns of material that have not been authorized by our representative, commercial agent or by FRECAN directly will not be accepted.
- If an agreement is reached accepting a return of standard products for reasons beyond FRECAN's control, a copy of our delivery note will be attached and payment will be made. deducting the following amounts from the amount for round-trip freight, packaging material and handling: Hoods and other appliances €50, Accessories €20.
- Check the product well before installing it to the user. RETURNS OF INSTALLED PRODUCTS ARE NOT ACCEPTED.
- Returns will always be made by our usual carrier, prior communication on your part to FRECAN.
- FRECAN reserves the right to verify any return and generate a charge invoice if it has been handled incorrectly or causes other than those accepted for the return are observed. return.
- Returns of Custom Made products will not be accepted.

Warranty:

The warranty period is 36 months from the date of purchase, in accordance with the "Guarantee Law on the sale of CONSUMPTION goods" and covers everything that involves manufacturing defects, being essential to present the sealed guarantee or the purchase invoice to make it effective.

Items damaged by misuse or improper handling are not covered by the warranty.

The crystals are not covered by the guarantee unless it is the result of incorrect handling during transport. In the latter case, it is essential to make the claim within 24 hours, otherwise it will not be accepted for processing.

Motors ST8 Warranty:

7-year guarantee on ST8 motors (does not include labour) provided that the hood has been installed by qualified personnel, has a Ø150mm smoke OUTLET and has been properly used and cleaned.

Domain reservation:

The merchandise is the property of FRECAN S.L.U. up to the complete payment of the same by the client, having FRECAN S.L.U. up to that moment domain reservation.

Jurisdiction:

In case of litigation, only the courts of Barcelona will be competent.

payment conditions:

Any sale on credit will be subject to the limit authorized by the insurance company.

Delays in the payment of the agreed conditions will accrue interest of 0.6% per month, plus the corresponding expenses generated by the return.

NOTE: FRECAN, in its continuous improvement plan, reserves the right to modify any Dimensions or characteristics of the products in the catalog without prior notice, and is not responsible for any errors that may occur in the catalog.

FRECAN S.L.U.
Ctra. B142 Km 8,4 Pol. Ind "Can Roure"
08181 Sentmenat (Barcelona) España
Tel: +34 937 936 622
www.frecan.com

Always access the latest version
update of our catalog

Download this catalog for mobile



or on your desktop computer
accessing the download of our interactive catalogs in this link
[www freca.com/catalog-freca-en.html](http://www.freca.com/catalog-freca-en.html)

