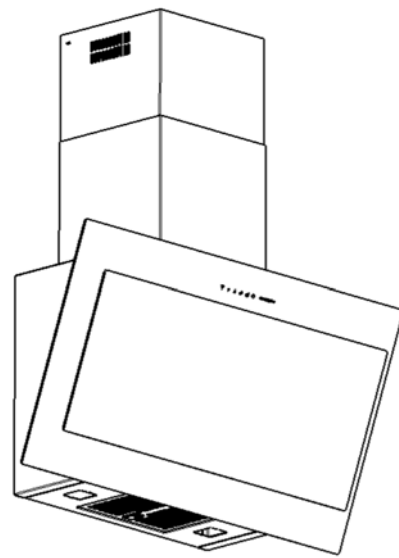


# FRECAN

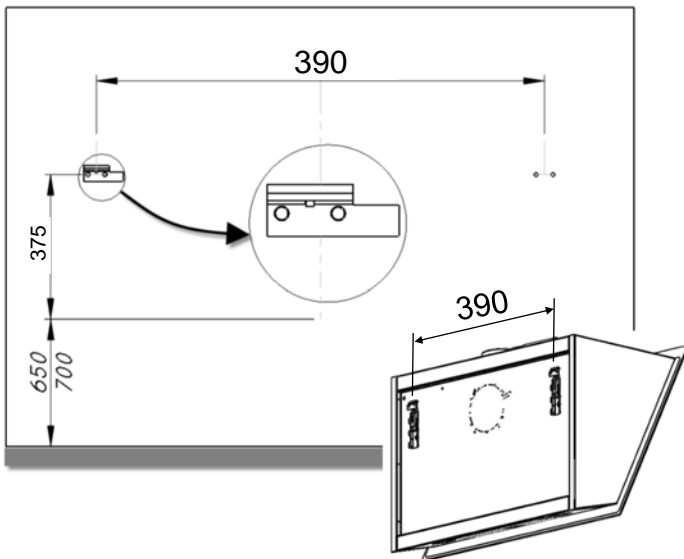
LIMIT 90  
ODYSSEY 70/80

1

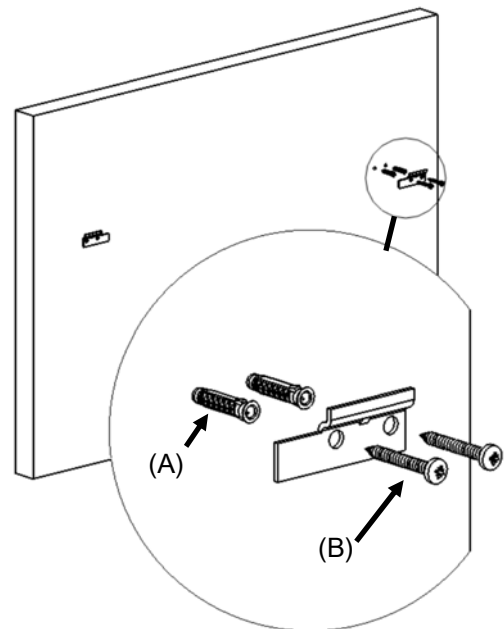


(A) x 6      (B) x 6      (C) x 8

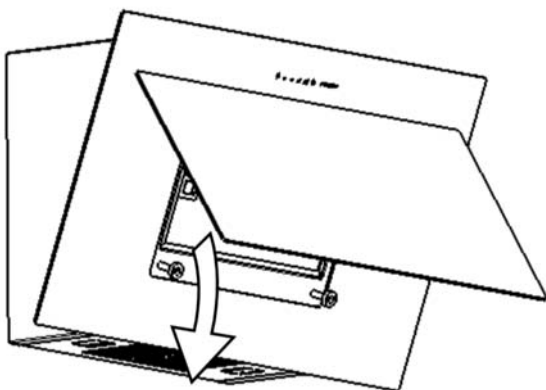
2



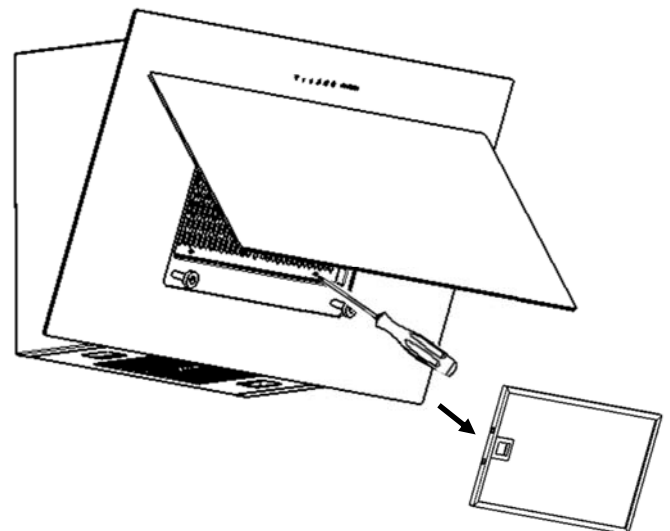
3

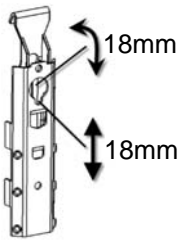


4

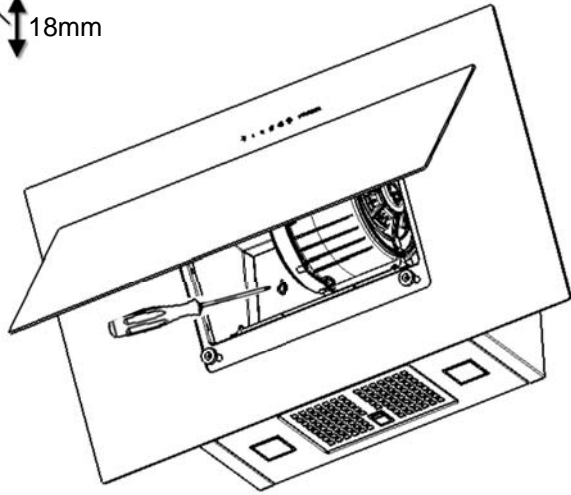


5

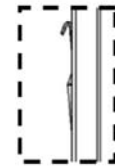
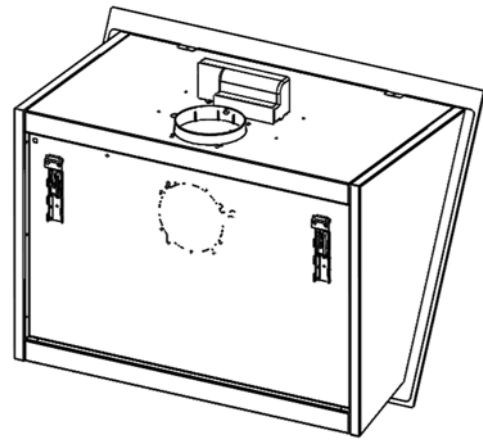




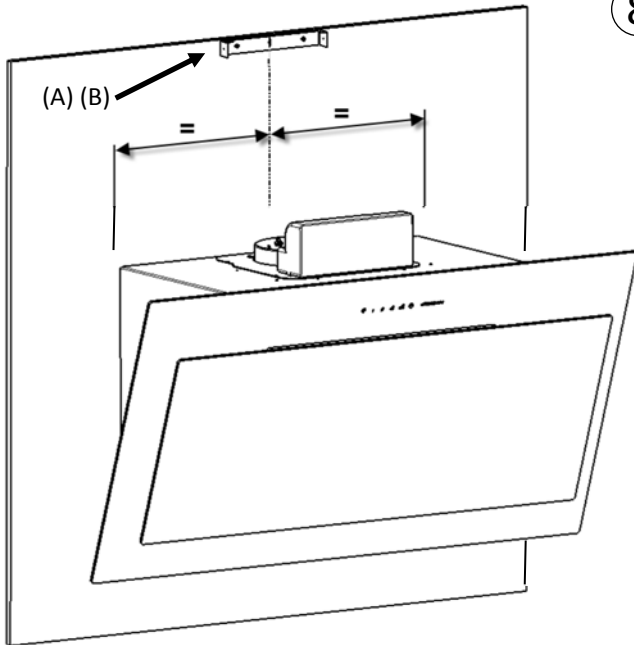
6



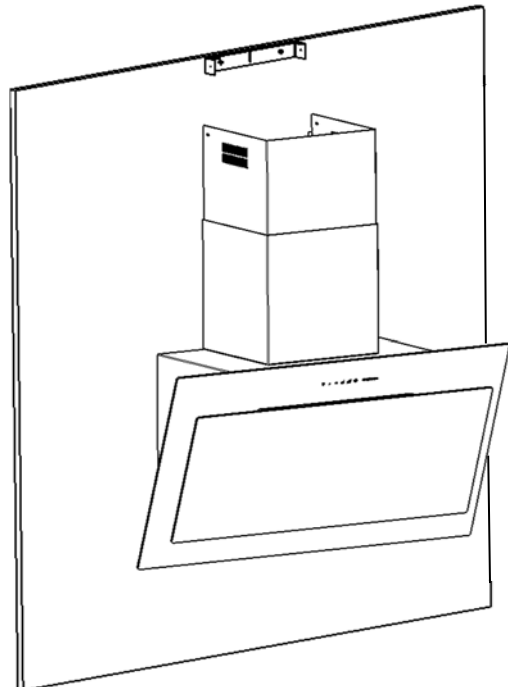
7



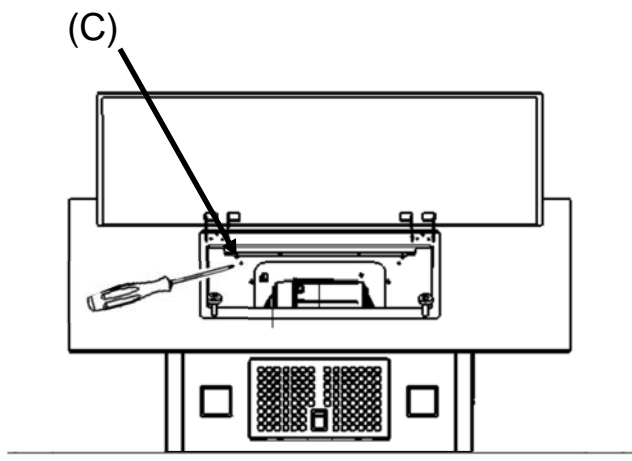
8



9



10



11

