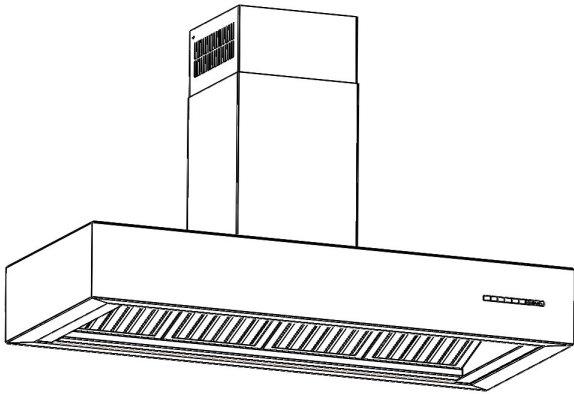


# FRECAN

## MASTER PROF 900/1200



1



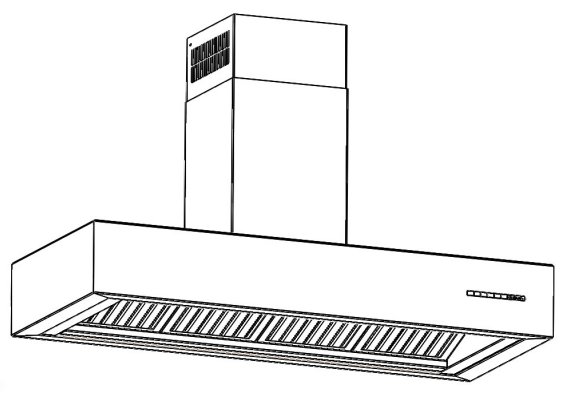
(A) x10



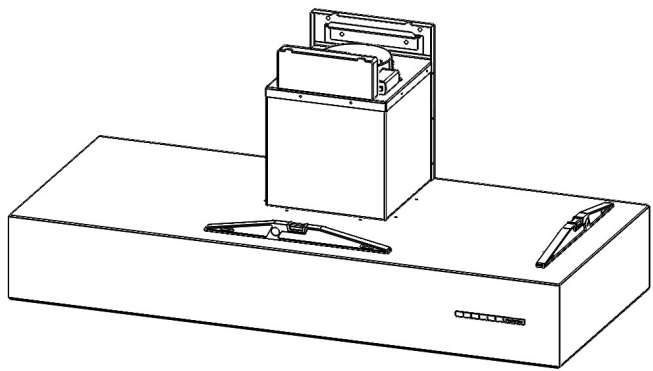
(B) x10



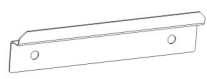
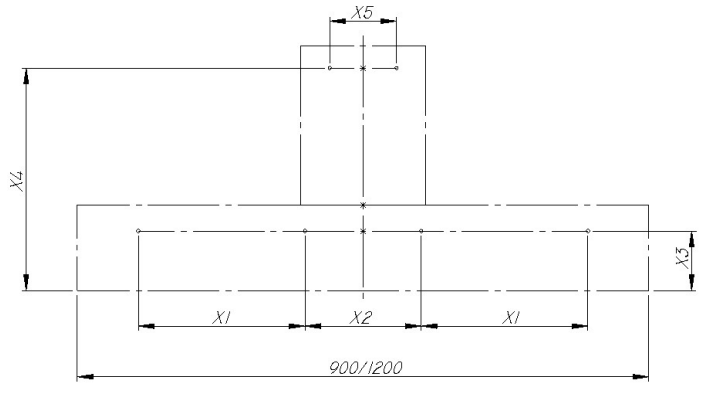
(C) x8



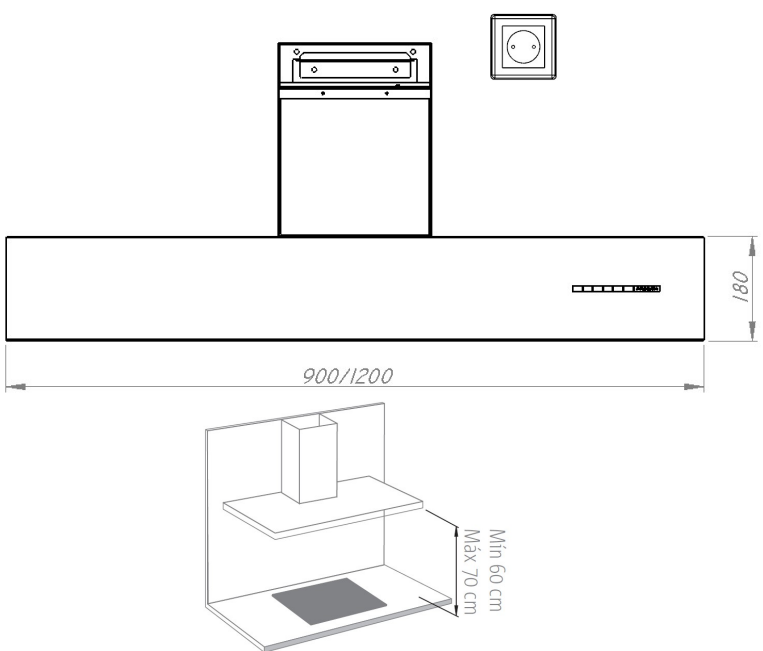
2



3



4



	900	1200
X1	243	350
X2	244	244
X3	125	125
X4	467	467
X5	140	140

