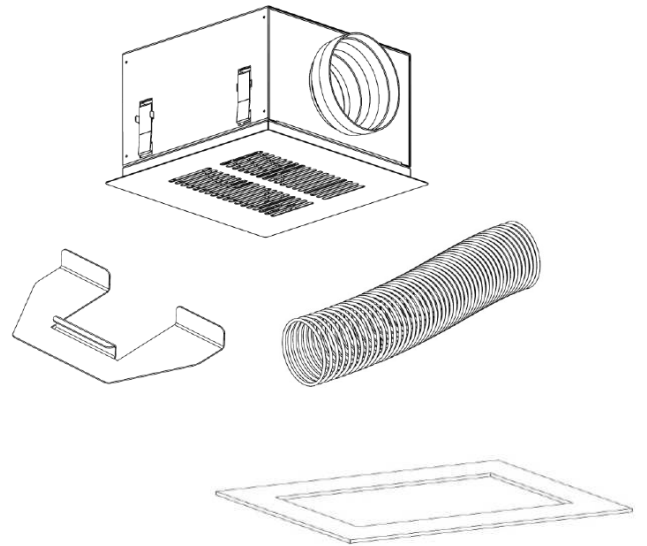


# freca<sub>IR</sub>

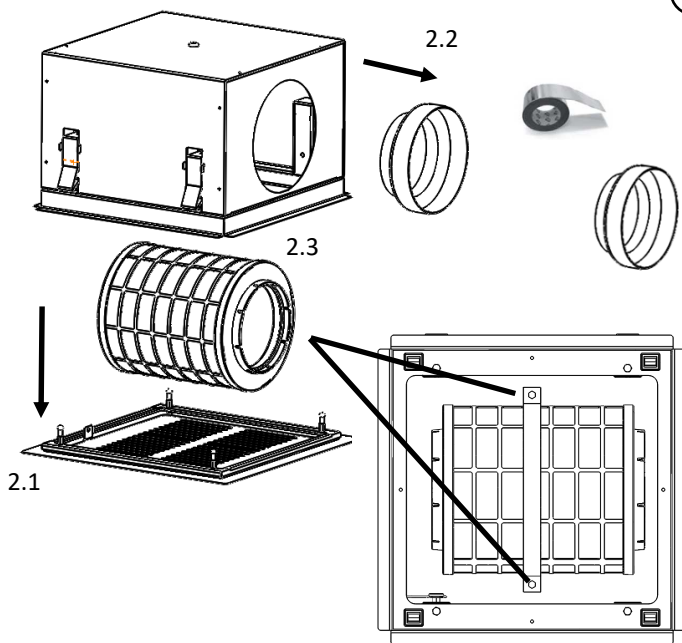
## PLASMA C600 + CAJON

1

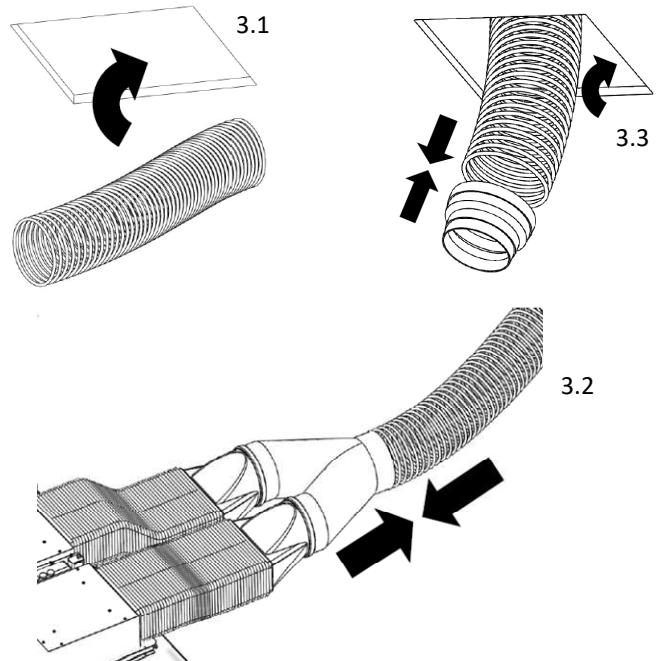


Cut out = 320 x 320

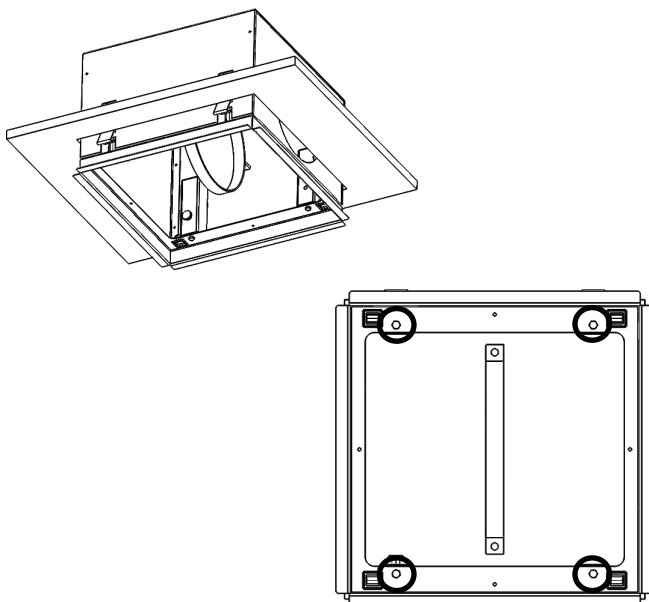
2



3



4



5

