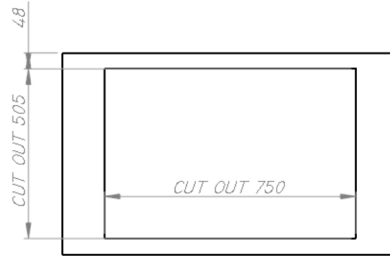
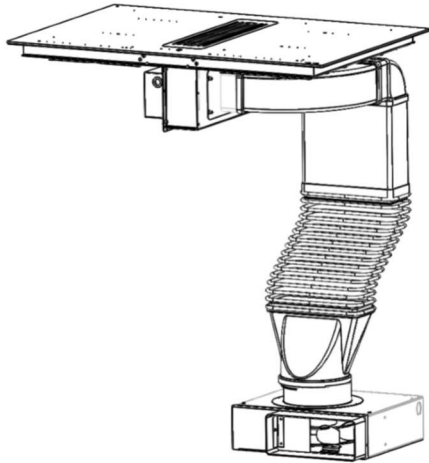


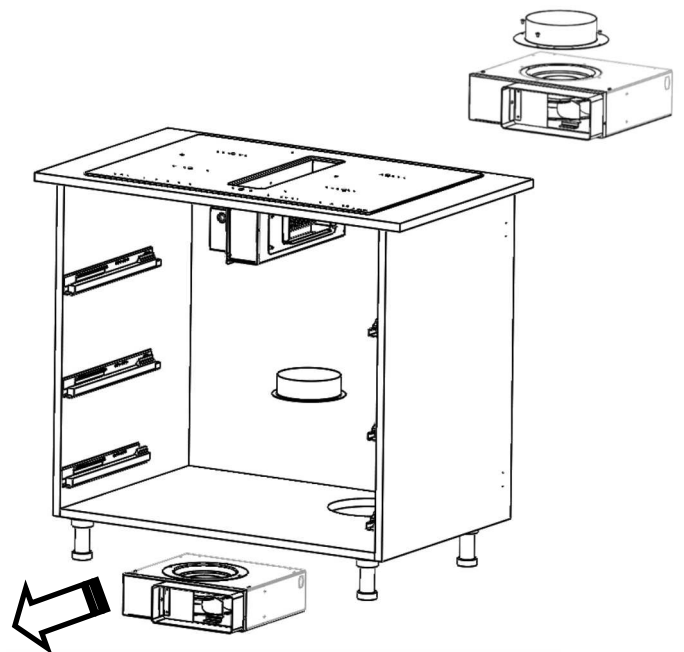
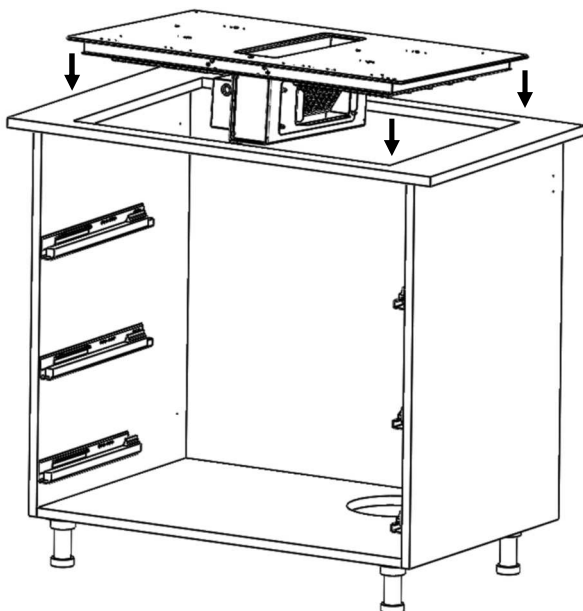
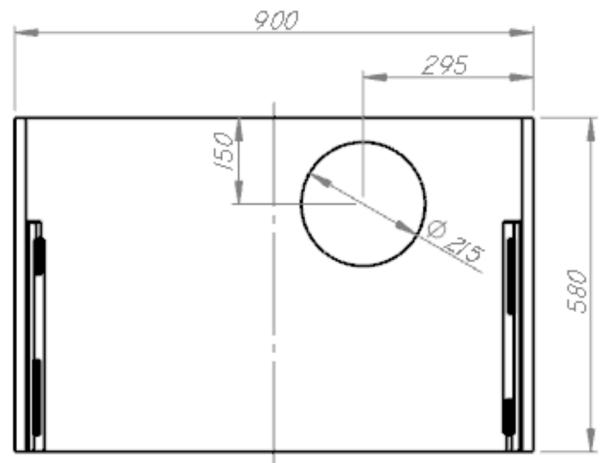
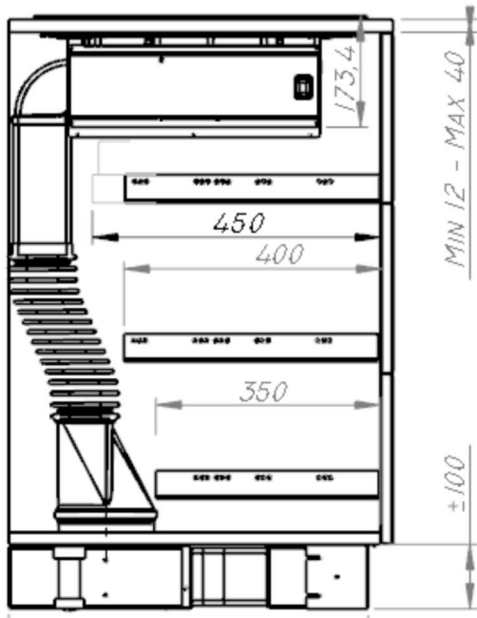
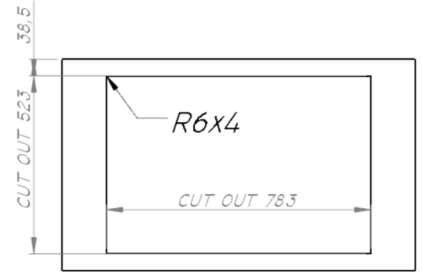
# FRECAN

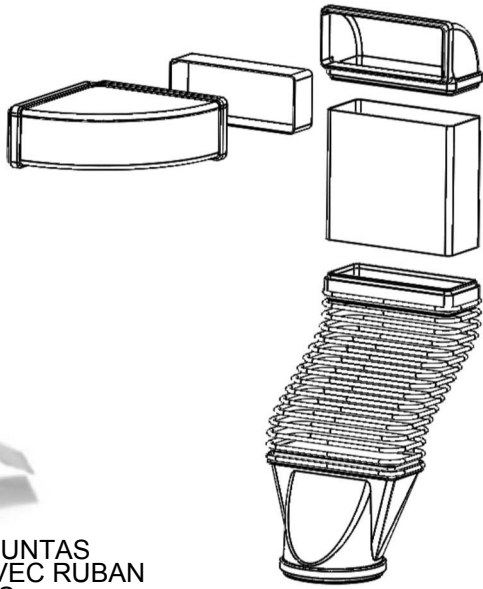
## FLOW 4



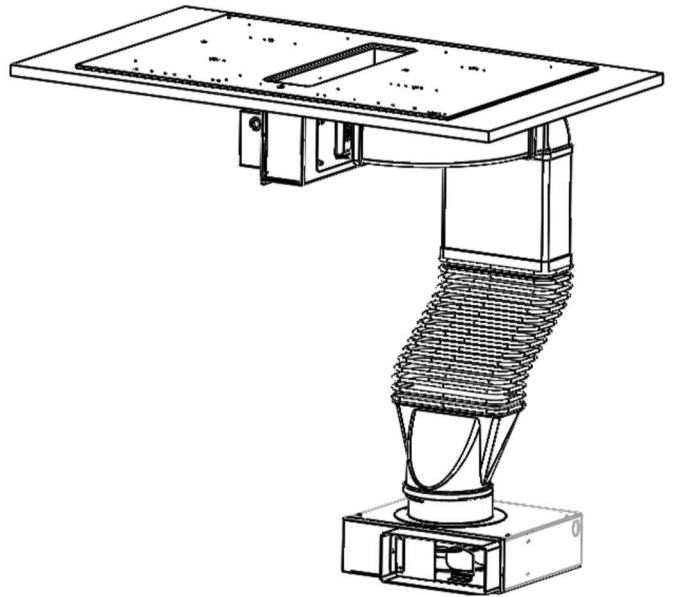
ENCASTRE  
ENCASTRE  
INSET  
ATTACCO

ENRASE  
ENRAGE  
FLUSH MOUNTED  
FILOTOP

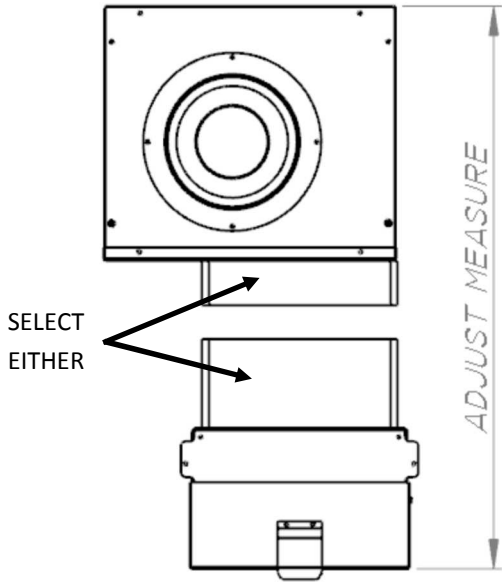




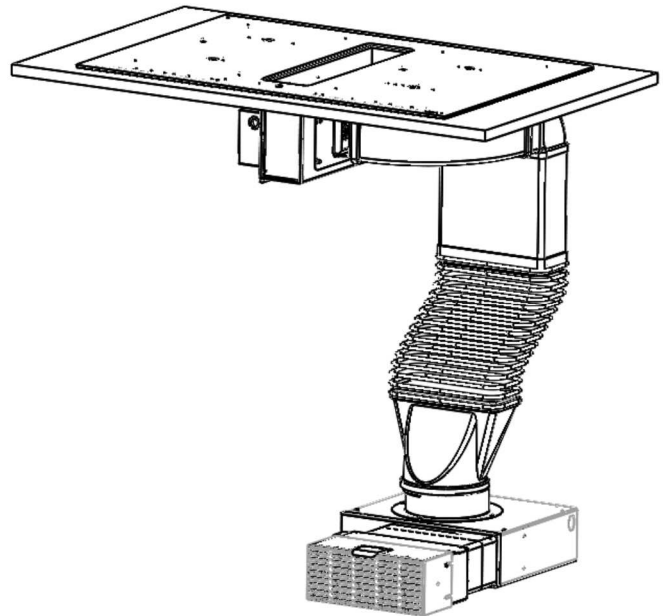
ENCINTAR JUNTAS  
 SCELLER AVEC RUBAN  
 TAPE JOINTS  
 CHIUDI CON NASTRO



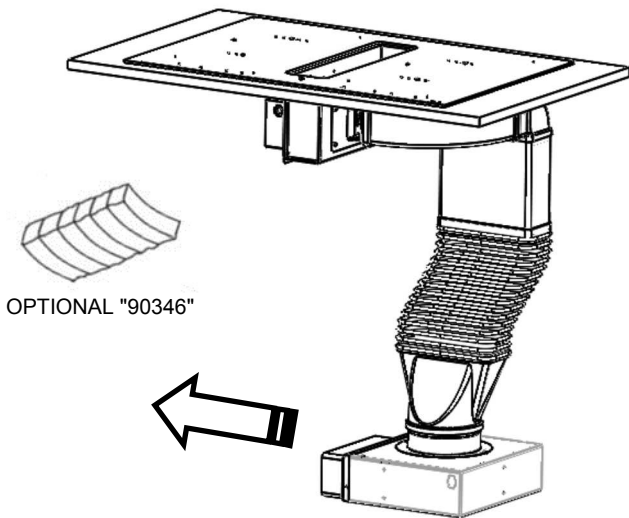
RECIRCULATION WITH BOX R HELSA



RECIRCULATION WITH BOX R HELSA



EXTERNAL OUTLET



RECIRCULATION WITH PLASMA MADE

