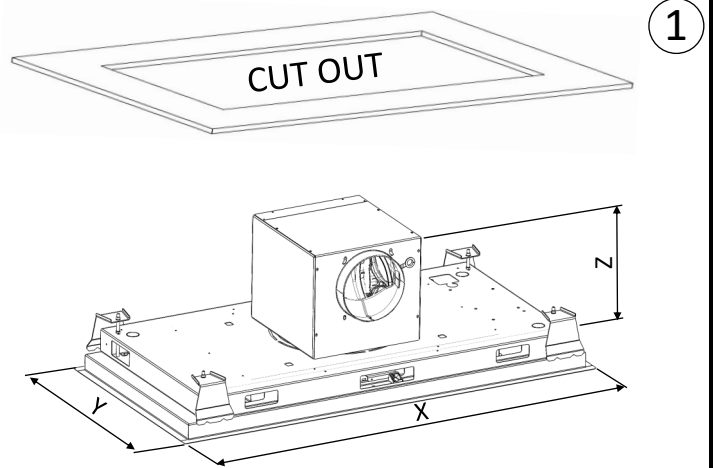


# FRECAN

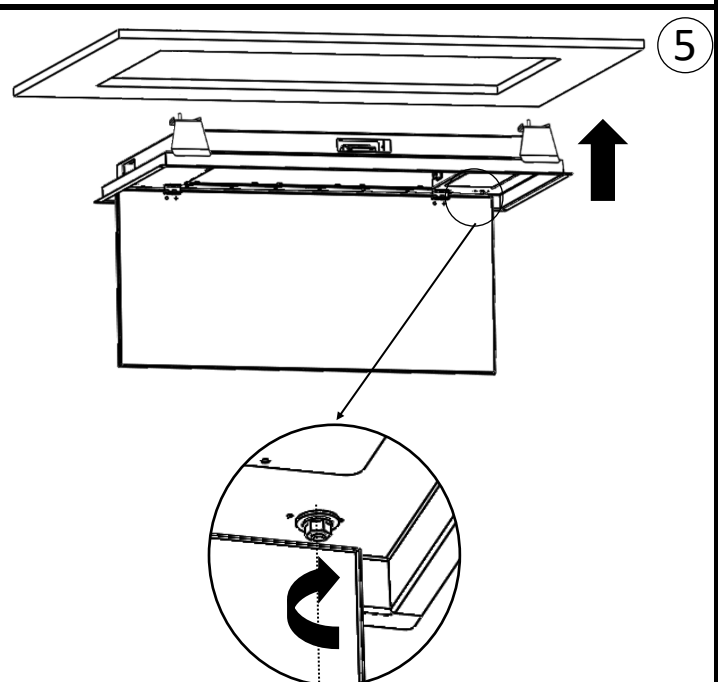
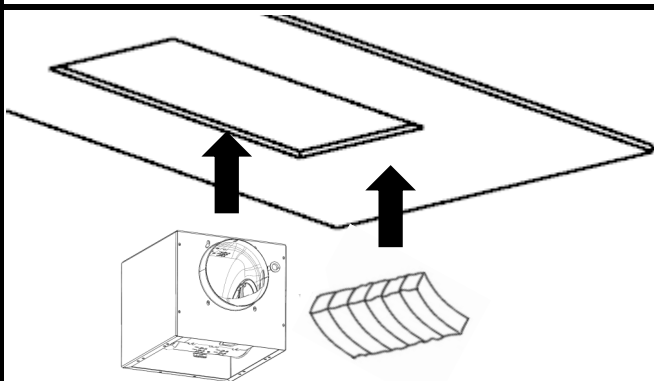
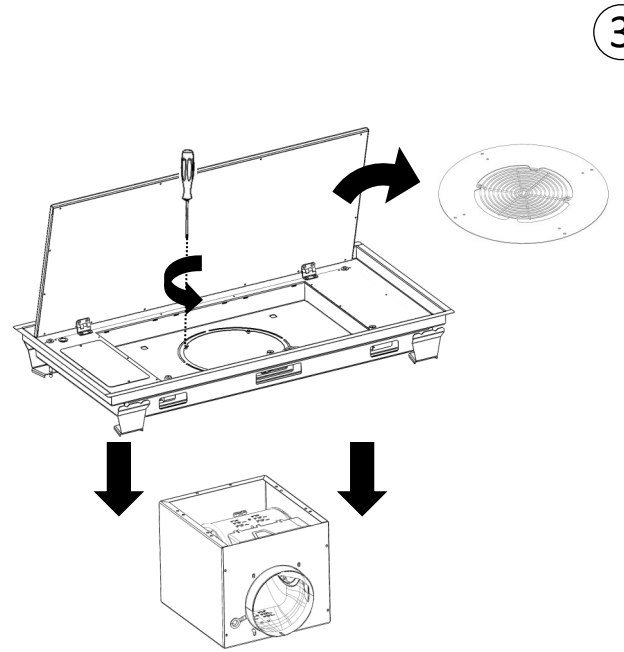
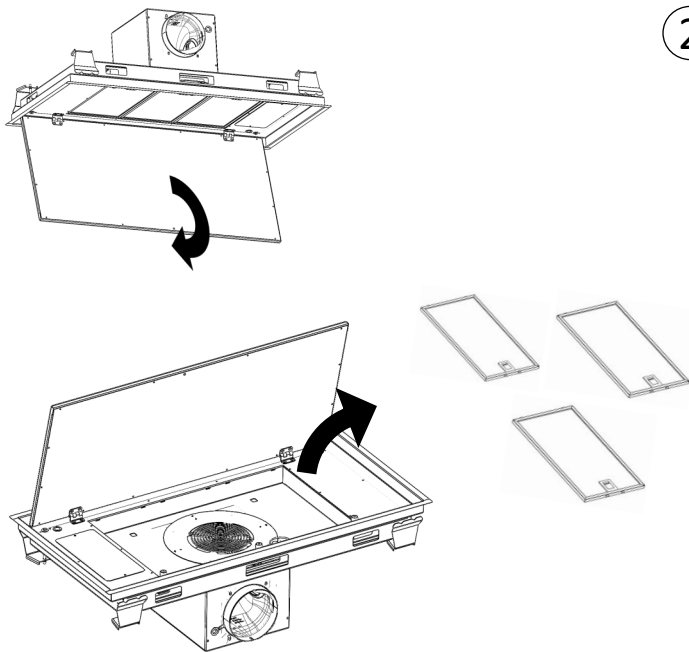
SCL 360

MOON 360

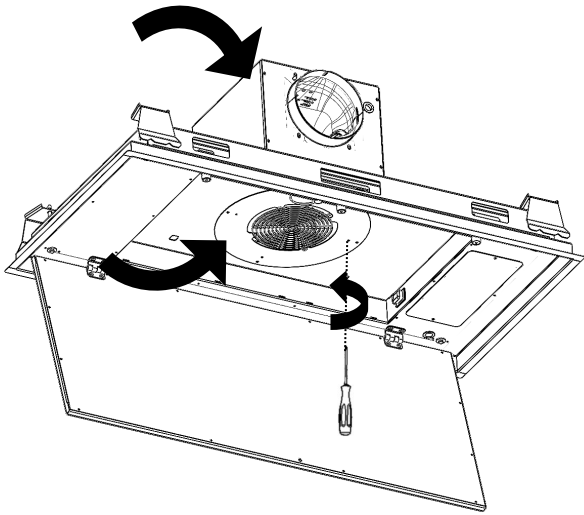
OTRAS MOTORIZACIONES



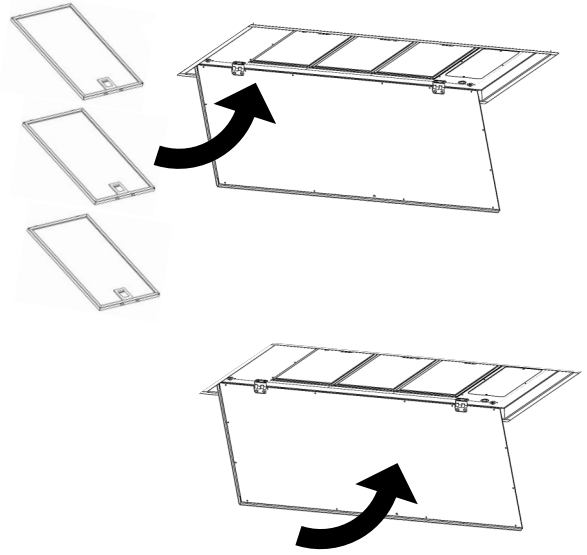
|          | X (mm) | Y (mm) | Z (mm) | CUT OUT (mm) |
|----------|--------|--------|--------|--------------|
| SCL 360  | 1000   | 500    | 324    | 970 x 475    |
|          | 1300   | 700    | 324    | 1270 x 680   |
| MOON 360 | 1000   | 500    | 324    | 970 x 475    |



6

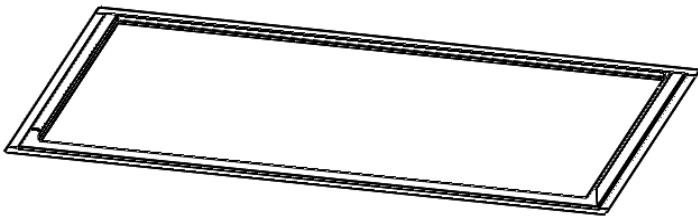


7



8

SCL 360



9

MOON 360

